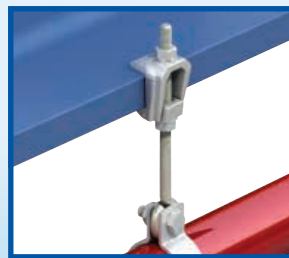
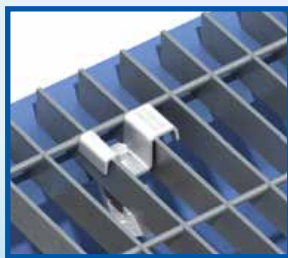




Lindapter[®]
Established 1934



Technical Innovation in Steelwork Connections

Welcome

For over 80 years Lindapter® has earned a respected reputation as the pioneer of designing and manufacturing steelwork clamping systems, growing from a modest family business into a reputable global brand by providing a faster, cost-effective alternative to drilling or welding.

History



Original 1930s logo

Lindapter's proud heritage began in 1934 when Engineer Henry Lindsay invented an entirely new concept of connecting steelwork with the Lindsay Bolt Adapter, a solution that allowed steel beams to be quickly clamped together, instead of time consuming drilling or welding.

Henry combined the words 'Lindsay' and 'Adapter' to create the now-famous brand name. Today Lindapter remains true to its roots, by continuing to invent and manufacture high quality products that save steel contractors time and money.

Lindapter's unique connections can be installed with standard hand tools and allow faster construction, reduced labour costs, on-site adjustability and no damage to steel sections.

Girder Clamps

PAGES
4 - 29

Steel sections are clamped together using high strength connections configured to suit specific requirements without damaging the steelwork, for example, to resist 250kN tensile loading / 70kN slip.



Rail Fixings

PAGES
30 - 33

Sections of rail are safely secured with easy-to-install products such as the **Type HD** that offers convenient lateral adjustability during installation.



Lifting Points

PAGES
34 - 37

These assemblies support the lifting or rigging of general equipment. Can be used for single lift situations or permanent applications such as theatre, lighting and rigging units.



- Factors of safety (FOS) shown in this catalogue are typical values and vary with different products from 2:1 to 5:1.
- The tightening torques stated must not be exceeded. If in doubt, contact Lindapter's Technical Support team.

Connections for a range of industries...



Construction



Energy



Bridges



Rail



Telecoms

Hollo-Bolt®

PAGES
38 - 47

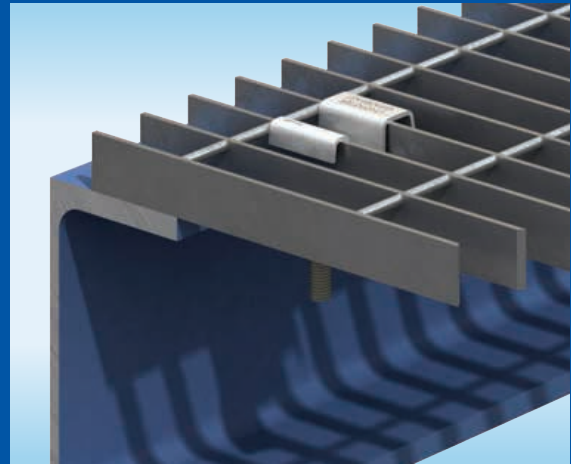
A family of expansion bolts for quickly connecting steel sections to pre-drilled Structural Hollow Section (SHS) that require access to one side only. Products include the **Hollo-Bolt®** and the **Lindibolt®**.



Floor Fixings

PAGES
48 - 51

A range of innovative fixings for connecting steel flooring to the supporting steelwork without the need for on-site drilling or welding. Installation can be carried out quickly and safely from above.



Support Fixings

PAGES
52 - 61

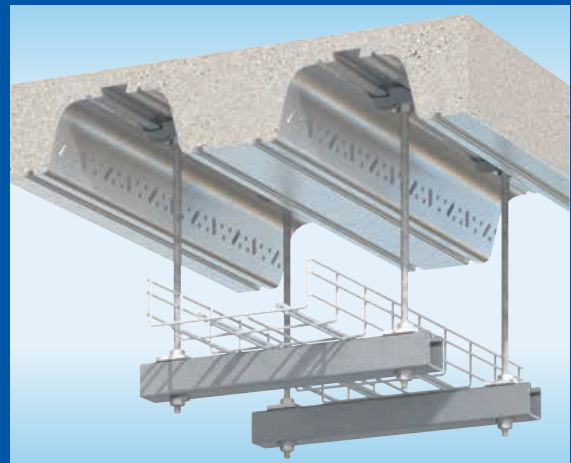
Easy-to-install solutions for suspending building services from structural or secondary beams. The adjustability of these products allows pipework and other equipment to be quickly positioned.



Decking Fixings

PAGES
62 - 69

High quality, cost effective connections for building services, designed to fit inside the dovetail re-entrant channel of major decking profiles, this zero-impact method avoids damaging the decking.



Project Case Studies
pages 70 - 73



Independent Approvals
page 74

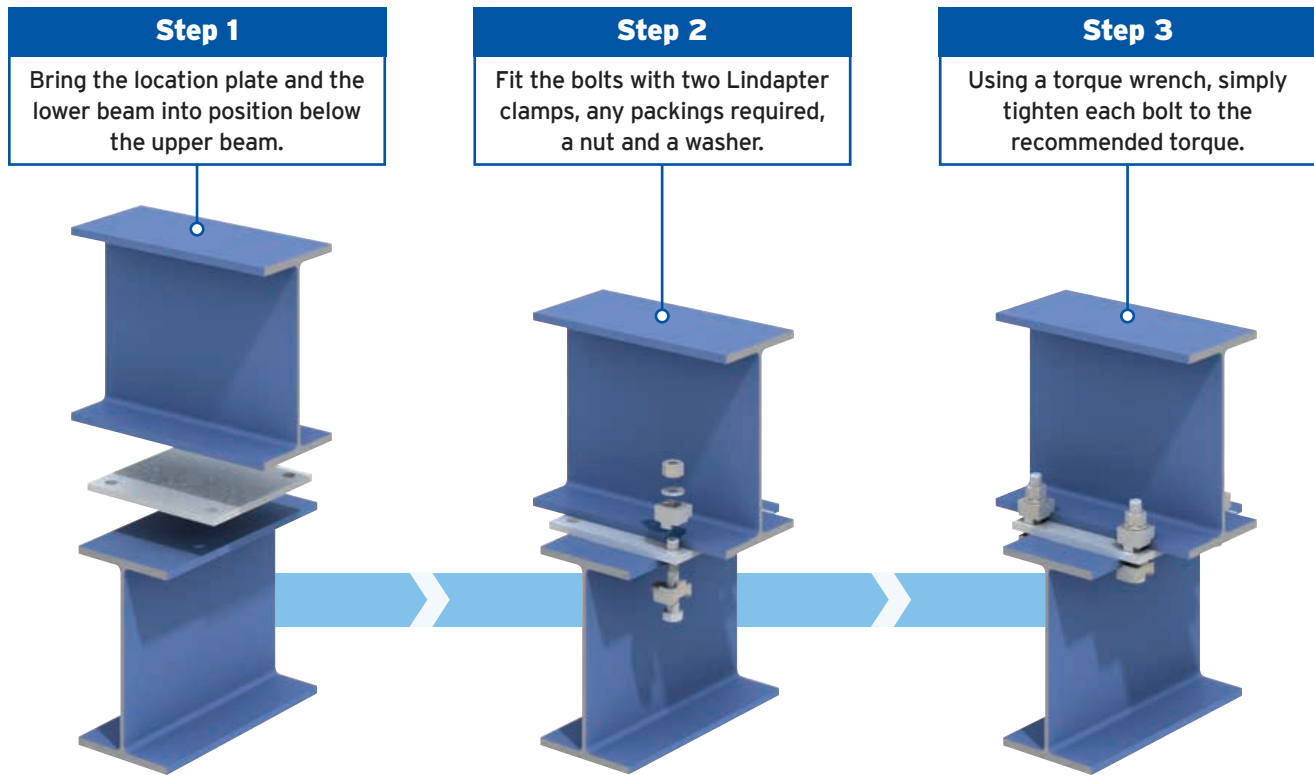


Technical Support
page 75

Girder Clamp - The Connection Concept

Lindapter products provide a faster, cost-effective alternative to on-site drilling or welding and are designed to reduce installation time and labour costs. A high strength, permanent (or temporary) connection is quickly achieved by clamping two steel sections together.

Quick and easy to install



REASONS TO USE...



Save time and money

Clamping two steel sections together avoids time-consuming welding or conventional drilling and bolting.



High strength

Lindapter clamps are manufactured from high strength materials to resist high load requirements and harsh environments.



Adjustable

Quickly align steel sections by sliding the section into the correct position before tightening the Girder Clamp to complete the installation.



Safer connections

On-site drilling and welding is avoided, removing the need for hot work permits and encouraging safer site conditions.



Industry leading approvals

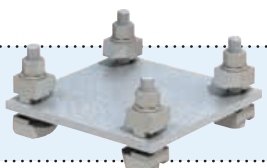
Lindapter has earned a reputation synonymous with safety and reliability, gaining multiple independent approvals. Further details can be found on **page 74**.



Free connection design

Lindapter's experienced Engineers can design a bespoke connection based on your specific requirements free of charge. See **page 75** for more details.

Turn to **page 6** to see the components of a Girder Clamp in more detail.



Watch installation videos of Girder Clamps and many more products at www.Lindapter.com



Typical Configurations

The Girder Clamp represents a range of Lindapter products that are compatible with virtually any shape or size of steel section and can withstand loading conditions in a wide variety of applications, for example:

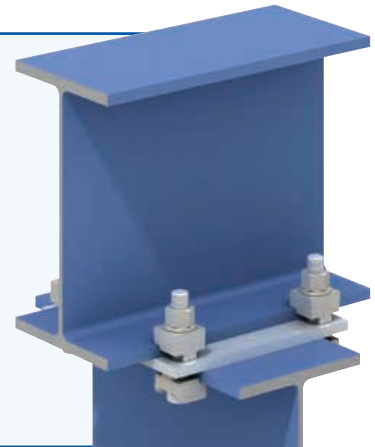
STANDARD

Beam-to-beam (tensile loading)

The original configuration is designed to secure steel sections and resist tensile loading. It features a pre-drilled location plate that is placed between the beams to locate the four bolts. Each bolt has two Lindapter components to clamp the flange immediately above and below the plate.

For thick beams, a packing piece is required to raise the height of the clamps to enable the product to sit correctly on the beam.

See the components of a Girder Clamp in more detail on [page 6](#).



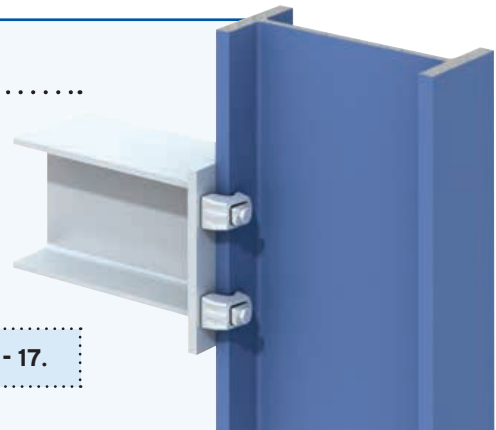
HIGH SLIP RESISTANCE

Beam-to-column (slip resistance)

This configuration utilises a High Slip Resistance (HSR) clamp per bolt to achieve a secure connection to vertical columns.

An end plate is pre-fabricated to the section that will be joined to the column. The purpose of this plate is to locate the bolts and provide a fastening position for the Lindapter clamps.

Lindapter's range of HSR clamps can be found on [pages 12 - 17](#).



ADJUSTABLE

Inclined beam-to-beam (combined loading)

A fabricated assembly, optimised with Lindapter's adjustable HSR clamps to resist both tensile loading and slip.

This solution adjusts to fit a wide range of flange thicknesses for added convenience. Lindapter can design and supply the entire assembly to suit individual applications.

Read more about the free connection design service on [page 6](#).



More examples of typical Lindapter configurations can be found on [pages 26 - 29](#). Alternatively, visit the website.

Girder Clamp Configuration

A Girder Clamp is a connection system configured with components to suit specific application requirements, for example high tensile loading or high corrosion resistance. Take advantage of the free connection design service to find the best solution for your connection requirement.

Standard Lindapter Girder Clamp components

The standard configuration consists of Type A and Type B clamps. See pages 26 - 29 for more examples.

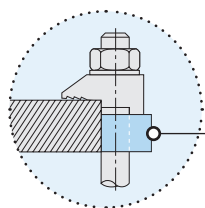
Standard Hex Nut
(Property Class 8 or 10).

Location Plate (can be supplied)
An essential part of the assembly that enables all the components to be located in the correct position.

Standard Hardened Washer (200 Hv).

Lindapter Clamps
Dependent on the application, different clamps can be used (See page 7).

Standard Hexagon Bolt / Setscrew
Property Class 8.8 or 10.9, dependent on the clamp type.



Packings (if required)
Increase the clamping range to suit thick beams.

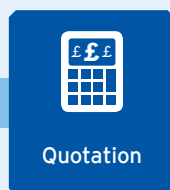
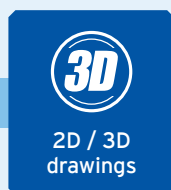
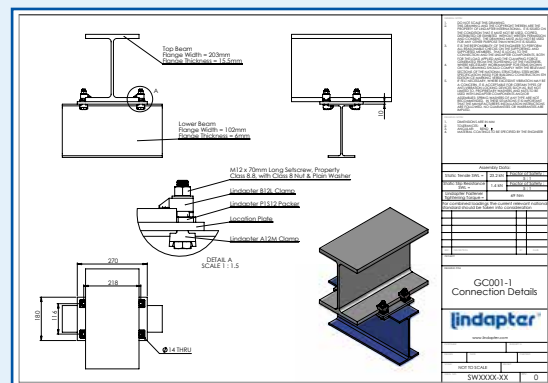
➤ **Safe working load up to 78.8kN tensile or 9kN slip resistance (size M24 Type A/B clamps). For higher loads up to 250kN tensile or 70kN slip resistance, see Type AF on page 14.**

Need some help? Try Lindapter's free connection design service today!

For your next project, simply contact Lindapter's team of experienced Engineers and they will advise a suitable solution for you free of charge, providing drawings in 2D or interactive 3D formats as well as CAD files that can be imported into all major software applications. Provide the details below and Lindapter will do the rest!

- Steel sizes to be used or flange width / thickness
- Loads to be resisted (e.g. 10kN tension and 15kN slip)
- General arrangement sketch or verbal description
- Project Name / Title / Location (optional)










This is just one part of Lindapter's service that includes:



Product Comparison

The table below shows the various components that can be assembled in a Girder Clamp arrangement. Each product has specific properties, for example the Type AF heavy duty clamp can resist tensile loads up to 250kN when used with four bolts (property class 10.9) in a Girder Clamp assembly.

Single Components

Product	Parallel Flanges	Tapered Flanges	Tensile	High Slip Resistance	Low Temp. Down to -60°C	Slotted Clearance Holes	Adjustable
Type A page 8 	✓	-	✓	-	-	-	-
Type B page 9 	✓	-	✓	-	-	-	-
Type AAF page 12 	✓	✓	✓	✓	✓	✓	✓
Type AF page 14 	✓	✓	✓	✓	-	✓	-
Type CF page 15 	✓	✓	✓	✓	-	-	✓
Type LR page 18 	✓	✓	✓	-	-	✓	✓
Type D2 page 19 	✓	-	✓	-	-	-	✓
Type LS page 22 	✓	✓	✓	-	-	✓	✓
Type RC page 24 	✓	-	✓	-	-	✓	-

Other Clamp Systems (these products do not require a location plate)

Product	Parallel Flanges	Tapered Flanges	Tensile	High Slip Resistance	Low Temp. Down to -60°C	Slotted Clearance Holes	Adjustable
Type F9 page 24 	✓	-	✓	-	-	-	✓
Type FC page 25 	✓	✓	✓	-	-	-	✓

Also available

Lindapter Rail Fixings

See pages 30 - 33 for more information



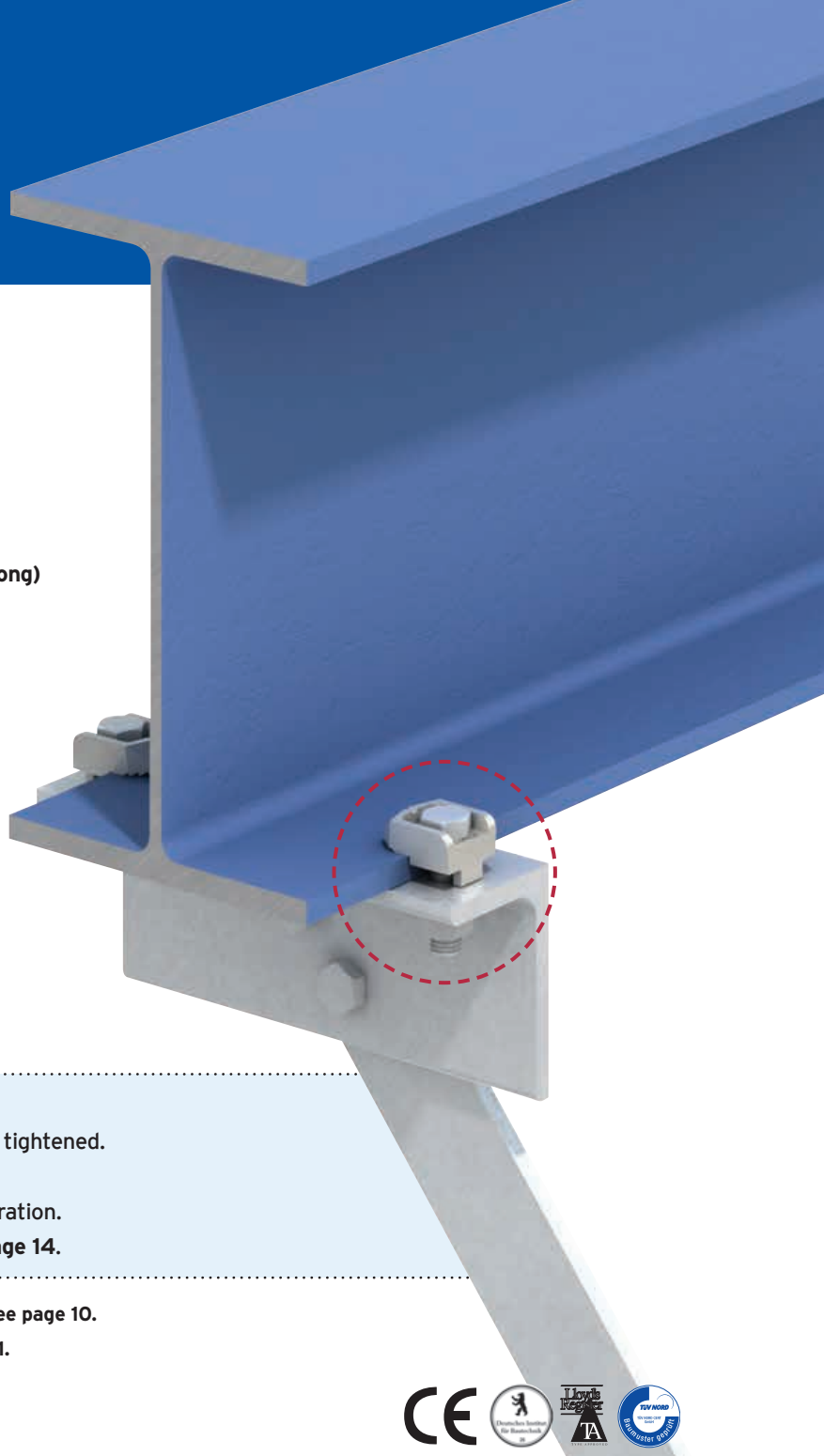
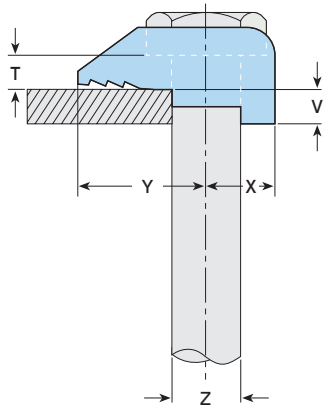
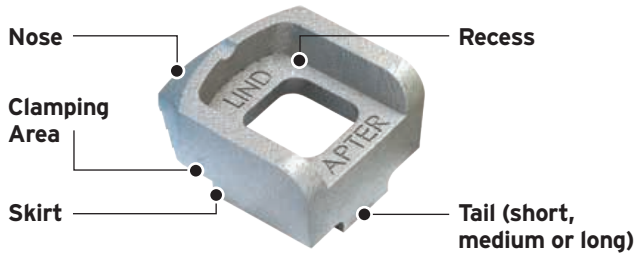
Lindapter Lifting Points

See pages 34 - 37 for more information



Type A

Lindapter's standard clamp is used to resist moderate tensile loading. Can also be used with Type B in a Girder Clamp configuration.



- CE Mark, DIBt, Lloyd's Register and TÜV approved.
- Recessed top holds the bolt captive while the nut is tightened.
- Ideal for parallel flanges.
- Supports up to 78.8kN tensile in a four bolt configuration.
- For higher loads the Type AF should be used, see page 14.

- Packings are available to increase the clamping range, see page 10.
- Location plate / end plate details can be found on page 11.

Material: Malleable iron, zinc plated / hot dip galvanised.



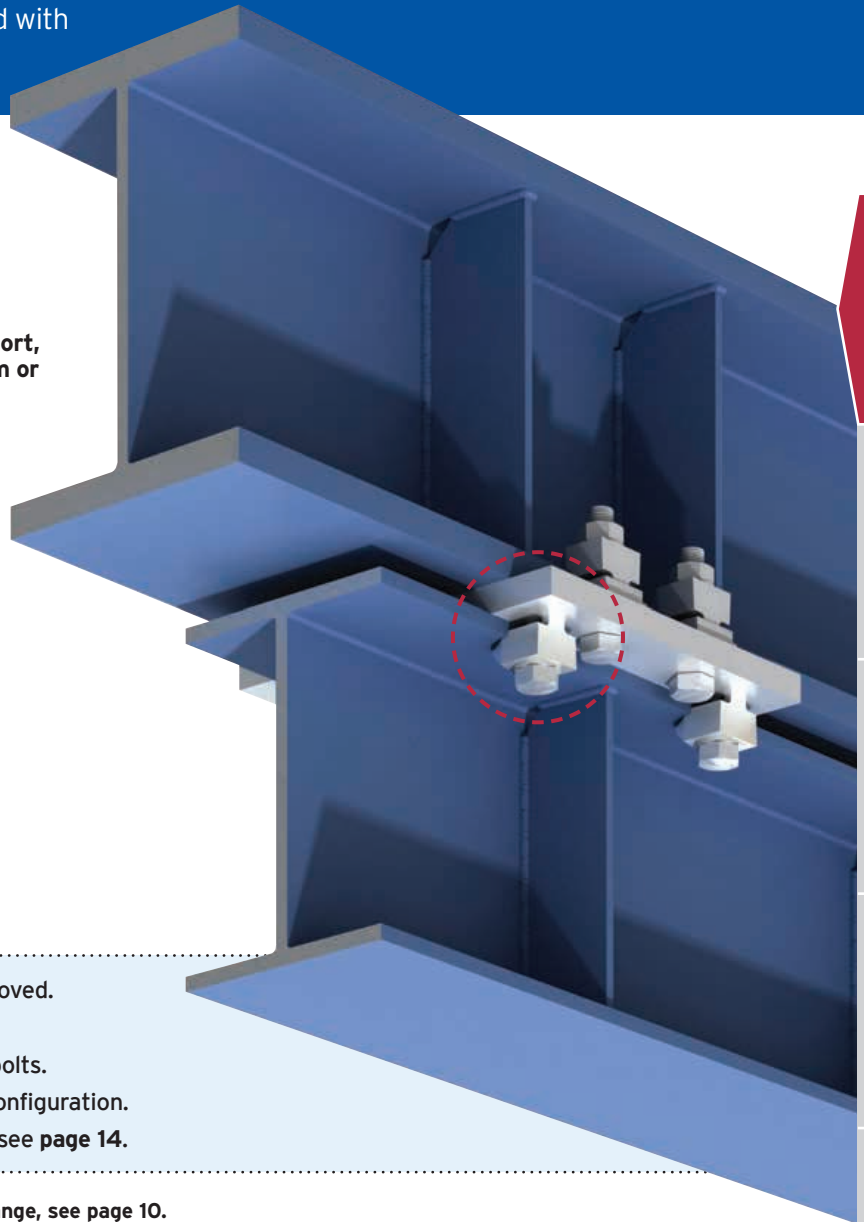
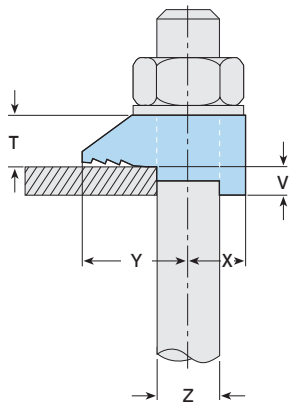
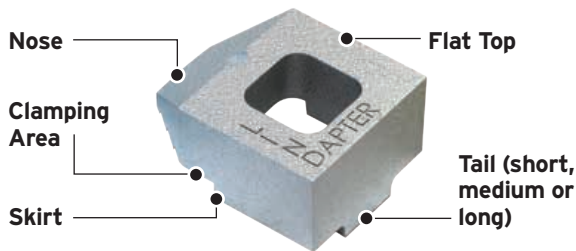
Product Code	Bolt 8.8 Z	Safe Working Loads (5:1 FOS)			Tightening Torque	Y	X	Dimensions			T	Width
		Tensile / 1 Bolt	Slip Resistance / 2 Bolts	Tail Length V								
		kN	kN	Nm	mm	mm	short mm	medium mm	long mm	mm	mm	
A08	M8	1.0	-	6	16	8	-	4	-	4	20	
A10	M10	1.5	-	20	20	11	4	5	7	5	26	
A12	M12	5.8	0.7	69	26	13	4.5	6	9.5	6	29	
A16	M16	7.3	1.5	147	30	16	5.5	8	11	8	36	
A20	M20	14.7	3.0	285	36	19	7	10	12.5	10	46	
A24	M24	19.7	4.5	491	48	25	9	12	16	12	55	

CE For Characteristic Resistances when designing a connection to Eurocode 3 (ETA 13/0300, DOP 0003), please contact Lindapter.

GIRDER CLAMPS
RAIL FIXINGS
LIFTING POINTS
HOLLO-BOLT
FLOOR FIXINGS
SUPPORT FIXINGS
DECKING FIXINGS

Type B

The flat-top version of Lindapter's standard clamp, for moderate tensile loading. Can also be used with Type A in a Girder Clamp configuration.



- CE Mark, DIBt, Lloyd's Register and TÜV approved.
- Flat top allows the bolt head or nut to rotate.
- Suitable for use with bolts, studs, tie rods, J-bolts.
- Supports up to 78.8kN in a tensile four bolt configuration.
- For higher loads the Type AF should be used, see [page 14](#).

- Packings are available to increase the clamping range, see [page 10](#).
- Location plate / end plate details can be found on [page 11](#).

Material: Malleable iron, zinc plated / hot dip galvanised.



Product Code	Bolt 8.8 Z	Safe Working Loads (5:1 FOS)		Tightening Torque	Y	X	Dimensions			T	Width
		Tensile / 1 Bolt	Slip Resistance / 2 Bolts				Tail Length V				
		kN	kN	Nm	mm	mm	short mm	medium mm	long mm	mm	mm
B08	M8	1.0	-	6	16	8	-	4	-	8	20
B10	M10	1.5	-	20	20	11	4	5	7	10	26
B12	M12	5.8	0.7	69	26	13	4.5	6	9.5	12	29
B16	M16	7.3	1.5	147	30	16	5.5	8	11	16	36
B20	M20	14.7	3.0	285	36	19	7	10	12.5	20	46
B24	M24	19.7	4.5	491	48	25	9	12	16	24	55



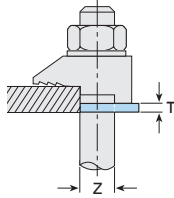
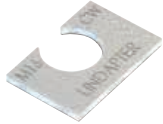
For Characteristic Resistances when designing a connection to Eurocode 3 (ETA 13/0300, DOP 0003), please contact Lindapter.

Packing Pieces for Types A and B

These packing pieces are compatible with the Type A and Type B clamps and are used to increase the clamping range to suit flange thicknesses. Types A and B are available with three different tail lengths (short, medium or long) and the correct combination of packing pieces should be used.

Packing Pieces

Type CW

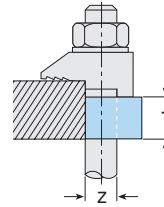
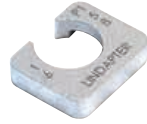


Mild steel, zinc plated / hot dip galvanised.

Product Code	Bolt Size Z	Dimension T (mm)
CW08*	M8	2
CW10	M10	2
CW12	M12	2.5
CW16	M16	3
CW20	M20	4
CW24	M24	4

* CW08 is only available zinc plated.

Type P1/ P2 short

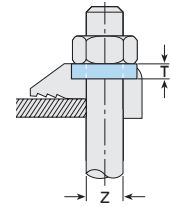


Mild steel, malleable iron, zinc plated / hot dip galv.

Product Code	Bolt Size Z	Dimension T (mm)
P1S08	M8	4
P1S10	M10	5
P1S12	M12	6
P1S16	M16	8
P1S20	M20	10
P1S24	M24	12
P2S08	M8	8
P2S10	M10	10
P2S12	M12	12
P2S16	M16	16
P2S20	M20	20
P2S24	M24	24

Also Available

Type W



Mild steel, malleable iron, zinc plated / hot dip galv.

Product Code	Bolt Size Z	Dimension T (mm)
W08	M8	4
W10	M10	5.5
W12	M12	6
W16	M16	8
W20	M20	10

Note: The Type W is used to fill the recess in the Type A to convert it into a flat top clamp to enable the bolt head or nut to be rotated.

Tail Length / Packing Combinations

Choose the correct Type A/B configuration for your application using the table below. Please note these calculations are for beams up to and including 5° sloped flanges.

For example, a size M24 Type A/B on a 26mm flange requires 1 x Type A/B short tail (S), 1 x Type CW (CW) and 1 x Type P1 short (P1S).

Flange Thickness mm	M12				M16				M20				M24			
	A/B	CW	P1S	P2S	A/B	CW	P1S	P2S	A/B	CW	P1S	P2S	A/B	CW	P1S	P2S
5	S	-	-	-	S	-	-	-	-	-	-	-	-	-	-	-
6	M	-	-	-	S	-	-	-	-	-	-	-	-	-	-	-
7	S	1	-	-	M	-	-	-	S	-	-	-	-	-	-	-
8	S	1	-	-	M	-	-	-	S	-	-	-	-	-	-	-
9	M	1	-	-	S	1	-	-	M	-	-	-	S	-	-	-
10	L	-	-	-	L	-	-	-	M	-	-	-	S	-	-	-
11	M	2	-	-	L	-	-	-	S	1	-	-	M	-	-	-
12	L	1	-	-	S	2	-	-	S	1	-	-	M	-	-	-
13	S	1	1	-	S	-	1	-	L	-	-	-	S	1	-	-
14	S	1	1	-	L	1	-	-	M	1	-	-	S	1	-	-
15	L	2	-	-	S	3	-	-	S	2	-	-	L	-	-	-
16	L	-	1	-	M	-	1	-	S	2	-	-	L	-	-	-
17	M	2	1	-	L	2	-	-	S	-	1	-	S	2	-	-
18	M	-	-	1	L	2	-	-	M	2	-	-	S	2	-	-
19	S	1	-	1	L	-	1	-	S	3	-	-	L	1	-	-
20	S	1	-	1	L	3	-	-	M	-	1	-	L	1	-	-
21	M	1	-	1	L	3	-	-	S	1	1	-	S	-	1	-
22	L	-	-	1	L	1	1	-	M	3	-	-	S	-	1	-
23	S	-	1	1	L	1	1	-	L	-	1	-	M	-	1	-
24	M	-	1	1	M	-	-	1	M	1	1	-	M	-	1	-
25	S	1	1	1	L	2	1	-	S	2	1	-	S	1	1	-
26	S	1	1	1	L	2	1	-	S	2	1	-	S	1	1	-
28	L	-	1	1	S	2	-	1	M	2	1	-	L	-	1	-
30	M	-	-	2	L	1	-	1	M	-	-	1	S	2	1	-

A/B = Type A/B S = A/B short M = A/B medium L = A/B long CW = Type CW P1S = Type P1 short P2S = Type P2 short

➤ For thicker flanges please contact Lindapter.

GIRDER CLAMPS
RAIL FIXINGS
LIFTING POINTS
HOLLO-BOLT
FLOOR FIXINGS
SUPPORT FIXINGS
DECKING FIXINGS

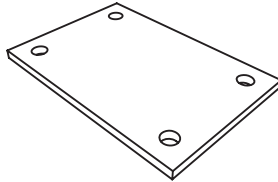
Location and End Plates for Types A and B

These plates ensure the clamps and bolts are located in the correct position relative to the supporting steelwork. If you would like help choosing a suitable plate, please contact Lindapter.

Location Plate

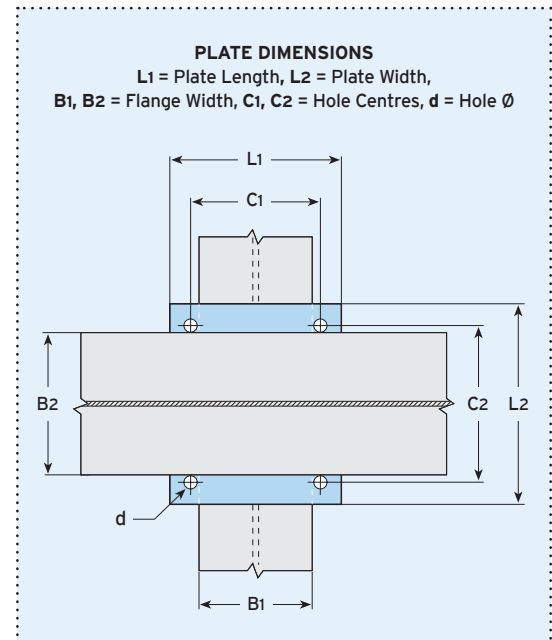
What is it?

Location plates are simple fabricated items designed to sit between the two sections to be clamped together to ensure the bolts are fixed at the correct centres.



Material: Structural mild steel grade S275 JR or JO.
(Steel grade to be specified by the qualified Engineer. For other grades contact Lindapter).

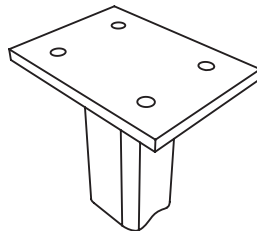
Bolt Size	Hole Ø d mm	Plate Thick. mm	Hole Centres C1 mm	Length / Width min L1 mm	Hole Centres C2 mm	Length / Width min L2 mm
M8	9	6	B1 + 9	B1 + 36	B2 + 9	B2 + 36
M10	11	8	B1 + 11	B1 + 44	B2 + 11	B2 + 44
M12	14	8	B1 + 14	B1 + 54	B2 + 14	B2 + 54
M16	18	10	B1 + 18	B1 + 70	B2 + 18	B2 + 70
M20	22	12	B1 + 22	B1 + 88	B2 + 22	B2 + 88
M24	26	15	B1 + 26	B1 + 104	B2 + 26	B2 + 104



End Plate

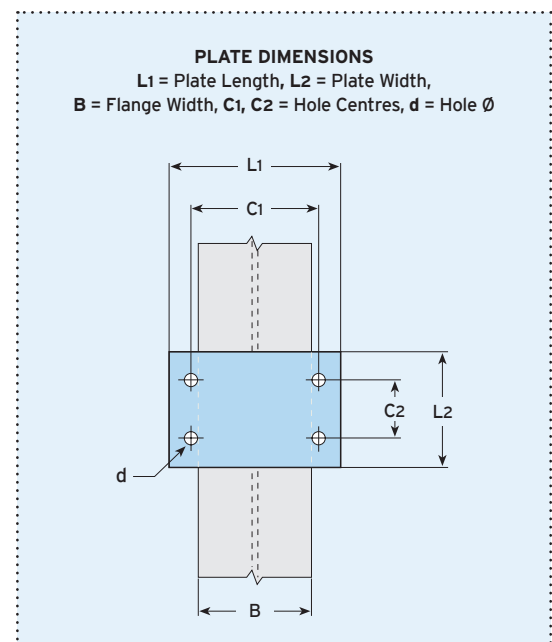
What is it?

End plates are simple fabricated items that are pre-welded to support frames, bracket or sections, allowing connection to the supporting structure with standard Lindapter clamps.



Material: Structural mild steel grade S275 JR or JO.
(Steel grade to be specified by the qualified Engineer. For other grades contact Lindapter).

Bolt Size	Hole Ø d mm	Plate Thick. ¹⁾ mm	Hole Centre C1 mm	Length min L1 mm	Hole Centre min C2 mm	Width min L2 mm
M8	9	10	B + 9	B + 36	40	C2 + 40
M10	11	12	B + 11	B + 44	50	C2 + 40
M12	14	12	B + 14	B + 54	60	C2 + 50
M16	18	15	B + 18	B + 70	70	C2 + 60
M20	22	20	B + 22	B + 88	90	C2 + 70
M24	26	25	B + 26	B + 104	110	C2 + 90

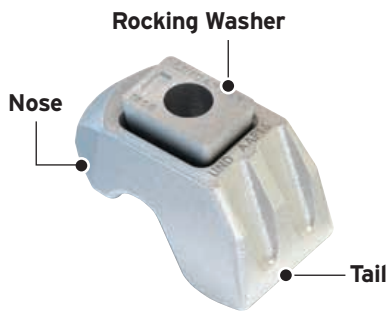


1) Depending on the type of connection and associated end plate use, the thickness may need to be modified to comply with accepted local design codes.

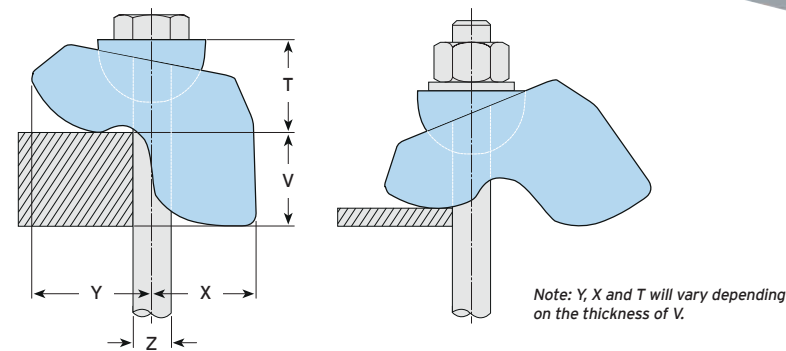
- To calculate the bolt length, add up the total distance that the bolt will pass through, plus half of the bolt diameter. Then round up the total to the nearest available bolt length.

Type AAF

This adjustable High Slip Resistance (HSR) clamp is easy to install and provides high load capacities even in low temperature environments.



HIGH SLIP RESISTANCE



- High slip resistance for tensile, frictional and combined load applications.
- Self-adjusts to suit flange thicknesses 6mm to 40mm (size M20).
- Safe working loads apply in temperatures as low as -60°C.
- Suitable for parallel and tapered flanges up to 10°.
- Hot dip galvanised as standard.

- Packings are available to increase the clamping range, see page 16.
- Location plate / end plate details can be found on page 17.

Material: Low temperature SG iron to EN 1563, hot dip galvanised to EN ISO 1461.



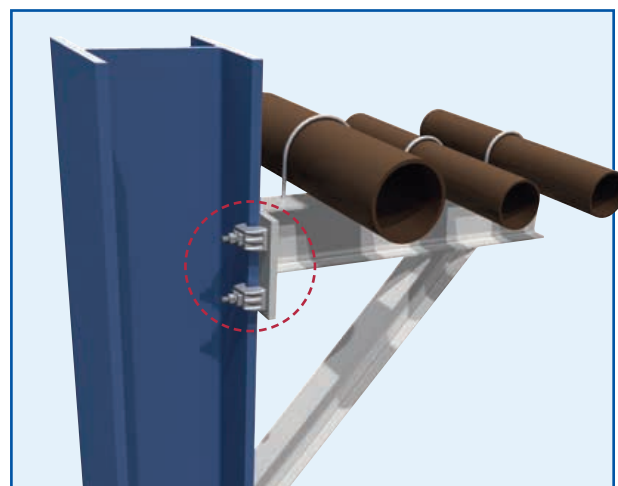
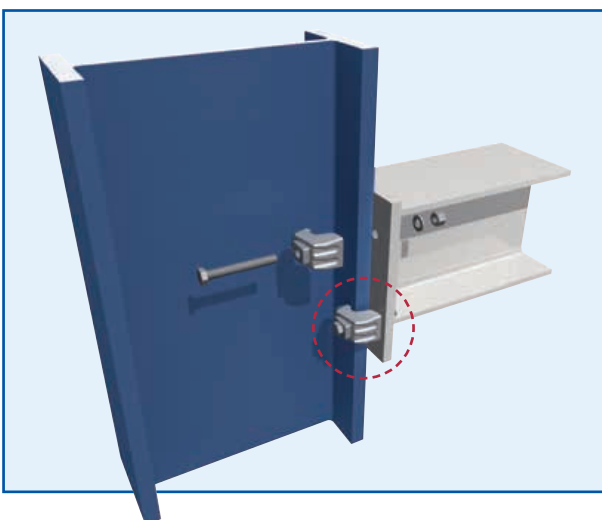
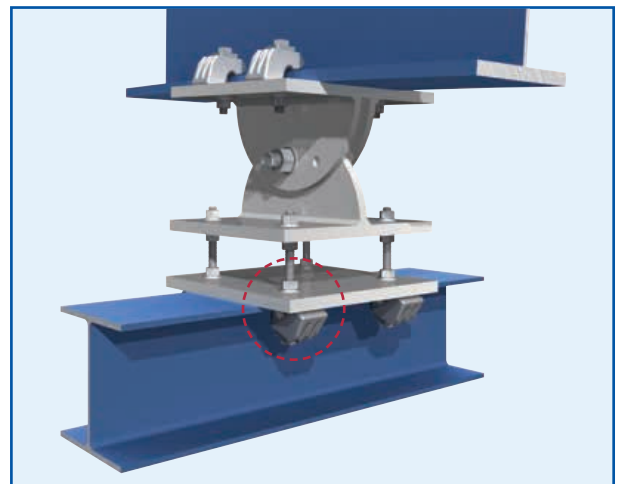
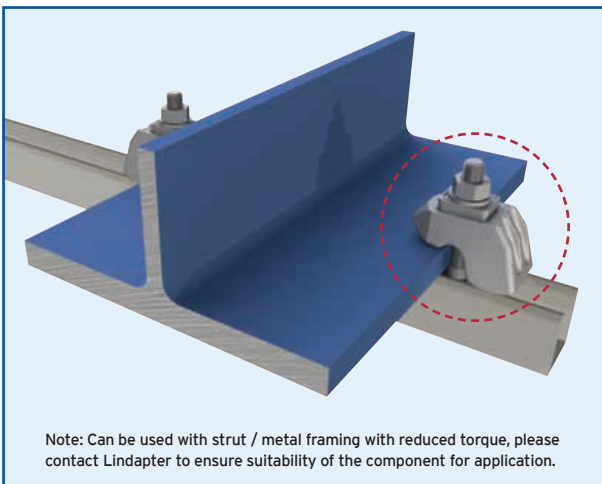
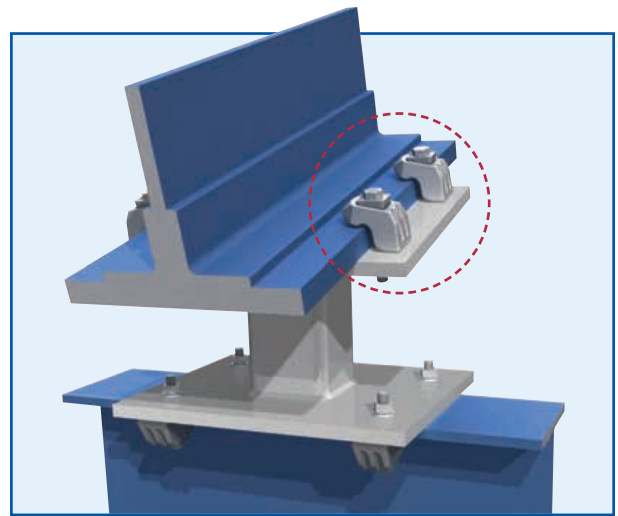
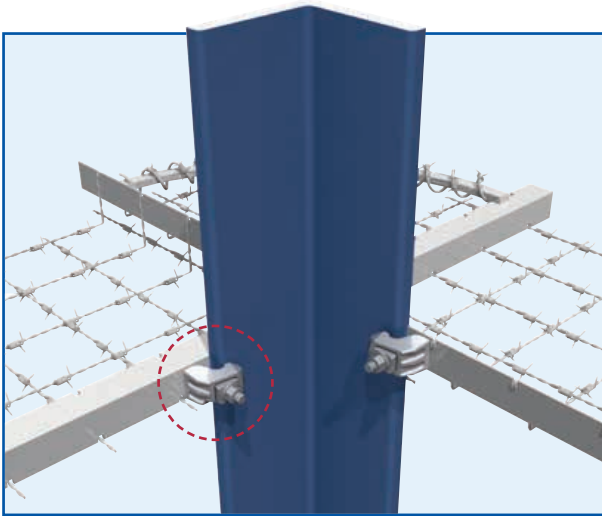
Product Code	Bolt		Safe Working Loads				Tightening Torque	Clamping Range ³⁾ V	Dimensions			Width
	Size Z	Property Class	Tensile Resistance / 1 Bolt (FOS 4.5:1)	Slip Resistance ¹⁾ / 2 Bolts (FOS 2:1)		Y			X	T		
				Painted Steelwork ²⁾	Galv. Steelwork						mm	
AAF12	M12	8.8	8.5	3.4	3.9	90	5 - 26	25 - 34	27 - 49	26 - 42	41	
AAF16	M16	8.8	16.0	8.0	10.0	240	6 - 30	34 - 50	31 - 58	35 - 46	56	
AAF20	M20	8.8	26.3	13.0	16.0	470	6 - 40	48 - 78	49 - 64	52 - 64	77	
AAF12	M12	10.9	10.0	4.0	5.2	130 (100*)	5 - 26	25 - 34	27 - 49	26 - 42	41	
AAF16	M16	10.9	19.5	11.0	12.0	300 (250*)	6 - 30	34 - 50	31 - 58	35 - 46	56	
AAF20	M20	10.9	30.0	20.0	25.0	647 (450*)	6 - 40	48 - 78	49 - 64	52 - 64	77	

1) Slip Resistance figures are based on Type AAF and Location Plates in hot dip galvanised finish calculated against slip (movement exceeding 0.1mm).
 2) Shot blast and painted steelwork.
 3) For thicker flanges, packing pieces AFP1 and AFP2 are available (for AAF12 and AAF16 only) or packing piece AAFF3 (for AAF20 only). See page 16.
 * Torque for lubricated bolts

GIRDER CLAMPS
 RAIL FIXINGS
 LIFTING POINTS
 HOLLO-BOLT
 FLOOR FIXINGS
 SUPPORT FIXINGS
 DECKING FIXINGS

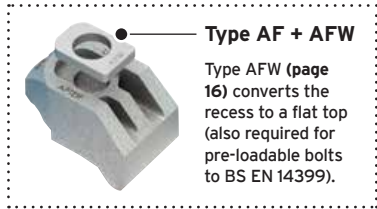
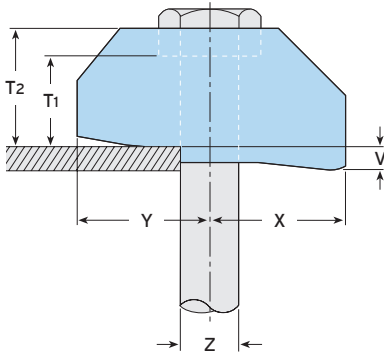
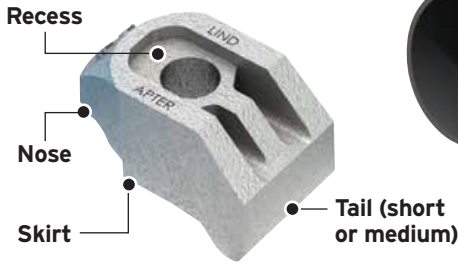
Typical Applications for the Type AAF

The Type AAF is one of three products in Lindapter's range of High Slip Resistance (HSR) clamps, designed specifically for frictional applications and high tensile loading. This heavy duty clamp is used in many diverse industries and situations, here are some application examples:



Type AF

A heavy duty clamp offering the highest load capacities of all Lindapter's High Slip Resistance clamps.



HIGH SLIP RESISTANCE

- High slip resistance for tensile, frictional and combined load applications.
- Static slip resistance of 70kN or tensile resistance 250kN (4-bolt config., size M24).
- Recess holds the bolt head captive (property class 8.8 or 10.9 bolts to BS EN 15048).
- Suitable for parallel and tapered flanges up to 10°.
- Hot dip galvanised as standard.

- Choose the correct tail length / packing combination to suit the flange thickness, see page 16.
- Location plate / end plate details can be found on page 17.

Material: SG iron to EN 1563, hot dip galvanised to EN ISO 1461.



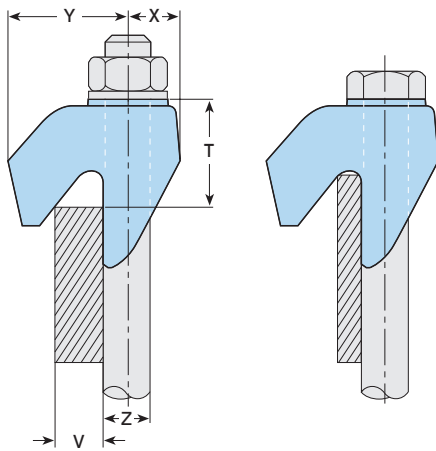
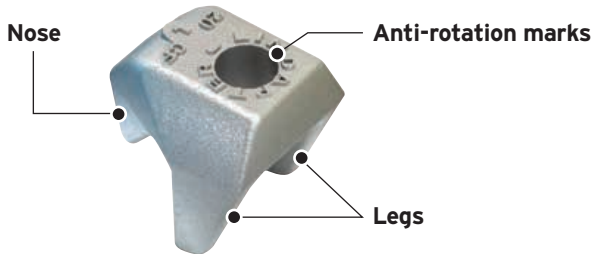
Product Code	Bolt		Safe Working Loads				Tightening Torque	Tail Length V		Dimensions				Width
	Size Z	Property Class	Tensile Resistance / 1 Bolt (FOS 5:1)	Slip Resistance ¹⁾ / 2 Bolts (FOS 2:1)		Y		X	T1	T2				
				Painted Steel ²⁾	Galv. Steel						mm	mm	Type AF	
			kN	kN	kN	Nm	mm	mm	mm	mm	mm	mm	mm	
AF12	M12	8.8	8.5	3.4	3.9	90	5	12.5	27	27	17	22	39	
AF16	M16	8.8	16.0	8.0	10.0	240	8	15	35	37	22	27	49	
AF20	M20	8.8	26.3	13.0	16.0	470	10	18	40	39	25	31	56	
AF24	M24	8.8	40.0	24.0	30.0	800	15	30	48	60	32	42	82	
AF12	M12	10.9	10.0	4.0	5.2	130 (100*)	5	12.5	27	27	17	22	39	
AF16	M16	10.9	19.5	11.0	12.0	300 (250*)	8	15	35	37	22	27	49	
AF20	M20	10.9	30.0	20.0	25.0	647 (450*)	10	18	40	39	25	31	56	
AF24	M24	10.9	62.5 ³⁾	28.0	35.0	1000 (800*)	15	30	48	60	32	42	82	

1) Slip Resistance figures are based on Type AF and Location Plates in hot dip galvanised finish calculated against slip (movement exceeding 0.1mm).
 2) Shot blast and painted steelwork.
 3) 3.2:1 Factor of Safety.
 * Torque for lubricated bolts.

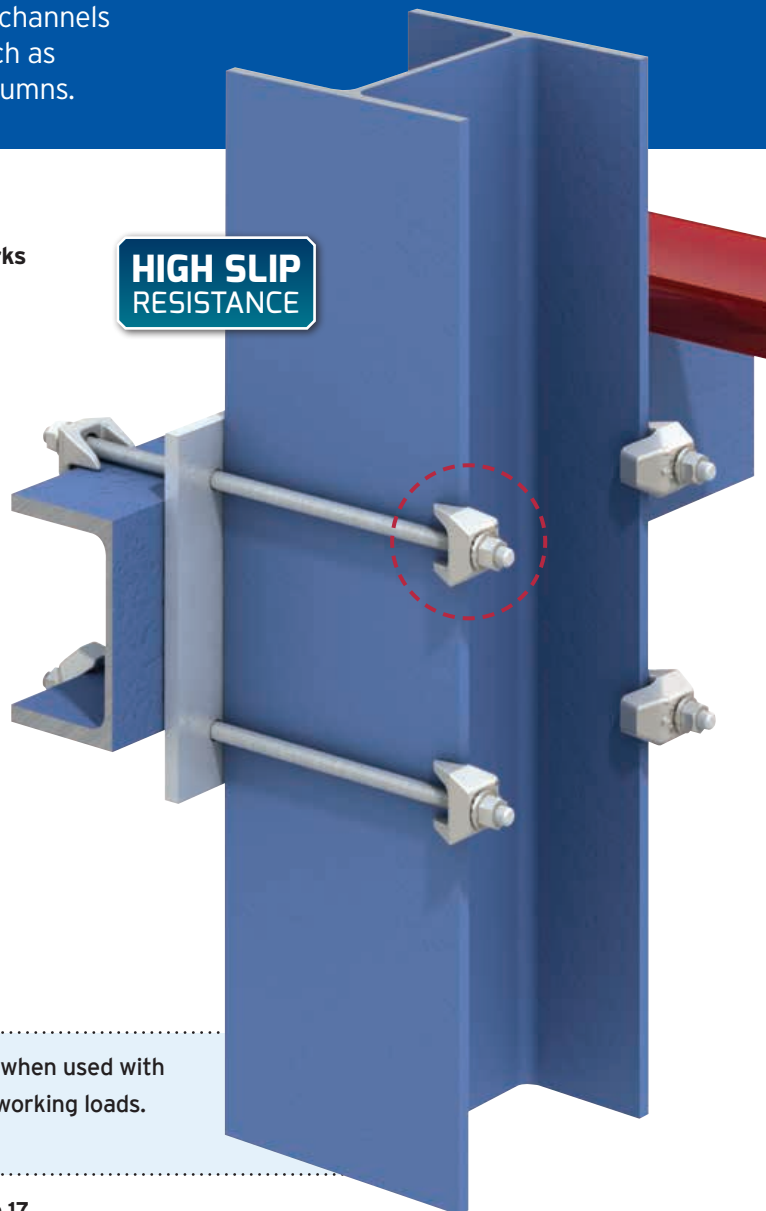
GIRDER CLAMPS
 RAIL FIXINGS
 LIFTING POINTS
 HOLLO-BOLT
 FLOOR FIXINGS
 SUPPORT FIXINGS
 DECKING FIXINGS

Type CF

Hooks over the flanges of beams, angles and channels to connect steel sections that do not face, such as connecting horizontal beams with vertical columns.



**HIGH SLIP
RESISTANCE**



- Can be combined with any Lindapter HSR clamps when used with property class 8.8 bolts; see table below for safe working loads.
- Suitable for parallel and tapered flanges up to 8°.

➔ Location plate / end plate details can be found on page 17.

Material: SG iron to EN 1563, hot dip galvanised to EN ISO 1461.



Product Code	Bolt 8.8 Z	Safe Working Loads			Tightening Torque	Clamping Range V	Dimensions			
		Tensile Resistance / 1 Bolt (FOS 5:1)	Slip Resistance ¹⁾ / 2 Bolts (FOS 2:1)				Y	X	T	Width
			kN	Painted Steelwork ²⁾ kN						
CF12	M12	8.5	3.4	3.9	90	6 - 13	32	14	21 - 29	46
CF16	M16	16.0	8.0	10.0	240	8 - 16	44	18	25 - 33	56
CF20	M20	26.3	13.0	16.0	470	10 - 19	53	22	30 - 41	65

CF combinations with other Lindapter clamps	CF / A ³⁾	M12	5.8	0.7	0.7	69
	CF / A ³⁾	M16	7.3	1.5	1.7	147
	CF / A ³⁾	M20	14.7	3.0	3.0	285
	CF / AF	M12	8.5	3.4	3.9	90
	CF / AF	M16	16.0	8.0	10.0	240
	CF / AF	M20	26.3	13.0	16.0	470

1) Slip Resistance figures are based on Type CF and Location Plates in hot dip galvanised finish calculated against slip (movement exceeding 0.1mm).

2) Shot blast and painted steelwork.

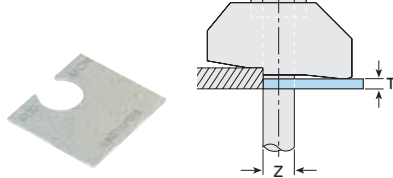
3) Also applies to Type B (page 9), Type LR (page 18), Type D2 (page 19) and Type BR (page 31).

Packing Pieces for Types AF and AAF

Packing pieces are used to increase the clamping range to suit a range of flange thicknesses. The Type AF is available with two different tail lengths (short and medium) and the correct combination of packing pieces should be used, see the table at the bottom of the page.

Packing Pieces

Type AFCW



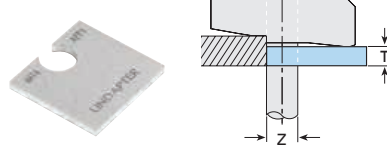
Mild steel, hot dip galvanised.

Product Code	Bolt Size Z	Dimension T (mm)
AF12CW*	M12	2
AF16CW*	M16	2
AF20CW	M20	2

* Also compatible with Type AAF clamp.

Note: The AFCW has a slight bend along its centre line which flattens out during installation.

Type AFP1 / AFP2 / AAFP3



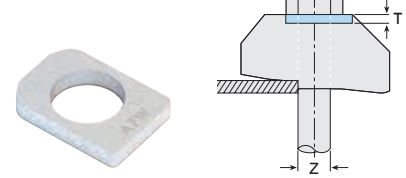
Mild steel, hot dip galvanised.

Product Code	Bolt Size Z	Dimension T (mm)
AF12P1*	M12	5
AF16P1*	M16	5
AF20P1	M20	5
AF24P1	M24	5
AF12P2*	M12	10
AF16P2*	M16	10
AF20P2	M20	10
AF24P2	M24	10
AAFP20P3*	M20	20

* Also compatible with Type AAF clamp.

Also Available

Type AFW



SG iron, mild steel, hot dip galvanised.

Product Code	Bolt Size Z	Dimension T (mm)
AFW12	M12	5
AFW16	M16	5
AFW20	M20	6
AFW24	M24	10

Note: The Type AFW is used to fill the recess in the Type AF to convert it into a flat top clamp to enable the bolt head or nut to be rotated. The Type AFW is also required when using pre-loadable bolts to BS EN 14399 due to their larger hexagon heads.

Tail Length / Packing Combinations

Choose the correct Type AF configuration for your application using the table below. Please note these calculations are for parallel flanges and beams up to 10° slopes only.

For example, a size M20 Type AF on a 40mm flange requires 1 x Type AF medium tail (M), 1 x Type AFCW and 2 x Type AFP2.

Flange Thickness mm	M12				M16				M20				M24		
	AF	AFCW	AFP1	AFP2	AF	AFCW	AFP1	AFP2	AF	AFCW	AFP1	AFP2	AF	AFP1	AFP2
5	S	-	-	-	-	-	-	-	-	-	-	-	-	-	-
6	S	-	-	-	-	-	-	-	-	-	-	-	-	-	-
7	S	1	-	-	S	-	-	-	-	-	-	-	-	-	-
8	S	1	-	-	S	-	-	-	-	-	-	-	-	-	-
9	S	2	-	-	S	-	-	-	S	-	-	-	-	-	-
10	S	-	1	-	S	1	-	-	S	-	-	-	-	-	-
11	S	3	-	-	S	1	-	-	S	-	-	-	-	-	-
12	S	1	1	-	S	2	-	-	S	1	-	-	S	-	-
13	M	-	-	-	S	-	1	-	S	1	-	-	S	-	-
14	M	1	-	-	S	3	-	-	S	2	-	-	S	-	-
15	S	-	-	1	M	-	-	-	S	-	1	-	S	-	-
16	M	2	-	-	M	-	-	-	S	3	-	-	S	-	-
17	M	-	1	-	M	1	-	-	M	-	-	-	S	-	-
18	M	-	1	-	S	-	-	1	M	-	-	-	S	1	-
19	M	1	1	-	M	-	1	-	M	-	-	-	S	1	-
20	S	-	1	1	M	-	1	-	M	1	-	-	S	1	-
21	M	2	1	-	M	-	1	-	M	1	-	-	S	1	-
22	M	2	1	-	M	1	1	-	M	2	-	-	S	1	-
23	M	-	-	1	M	1	1	-	M	-	1	-	S	-	1
24	M	1	-	1	M	-	-	1	M	1	1	-	S	-	1
25	S	-	-	2	M	-	-	1	M	1	1	-	S	-	1
26	M	2	-	1	M	-	-	1	S	1	1	1	S	-	1
27	M	2	-	1	M	1	-	1	S	1	1	1	M	-	-

Flange Thickness mm	M12				M16				M20				M24		
	AF	AFCW	AFP1	AFP2	AF	AFCW	AFP1	AFP2	AF	AFCW	AFP1	AFP2	AF	AFP1	AFP2
28	M	-	1	1	S	-	-	2	M	-	-	1	M	-	-
29	M	1	1	1	M	-	1	1	M	-	-	1	M	-	-
30	S	-	1	2	M	-	1	1	M	1	-	1	M	-	-
31	S	-	1	2	M	-	1	1	M	1	-	1	M	-	-
32	M	-	-	2	M	1	1	1	M	-	1	1	M	1	-
33	M	-	-	2	M	1	1	1	M	-	1	1	M	1	-
34	M	1	-	2	M	-	-	2	M	-	1	1	M	1	-
35	S	-	-	3	M	-	-	2	S	-	1	2	M	1	-
36	S	-	-	3	M	-	-	2	M	1	1	1	M	1	-
37	M	-	1	2	M	1	-	2	M	-	-	2	M	1	-
38	M	-	1	2	S	-	-	3	M	-	-	2	M	-	1
39	M	1	1	2	M	-	1	2	M	-	-	2	M	-	1
40	S	-	1	3	M	-	1	2	M	1	-	2	M	-	1
41	S	-	1	3	M	-	1	2	M	1	-	2	M	-	1
42	M	-	-	3	M	1	1	2	M	1	-	2	M	-	1
43	M	-	-	3	S	-	1	3	M	-	1	2	M	1	1
44	M	1	-	3	M	-	-	3	M	-	1	2	M	1	1
45	S	-	-	4	M	-	-	3	M	1	1	2	M	1	1
46	S	-	-	4	M	-	-	3	M	1	1	2	M	1	1
47	M	-	1	3	M	1	-	3	M	-	-	3	M	1	1
48	M	-	1	3	S	-	-	4	M	-	-	3	M	-	2
49	S	-	1	4	M	-	1	3	M	-	-	3	M	-	2
50	S	-	1	4	M	-	1	3	M	1	-	3	M	-	2

AF = Type AF AFCW = Type AFCW AFP1 = Type AFP1 AFP2 = Type AFP2 S = Type AF short M = Type AF medium

➤ For thicker flanges please contact Lindapter.

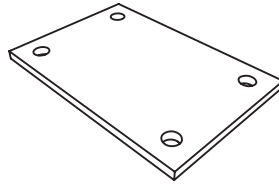
Location and End Plates for Types AF, AAF and CF

These plates ensure the clamps and bolts are located in the correct position relative to the supporting steelwork. If you would like help choosing a suitable plate, please contact Lindapter.

Location Plate

What is it?

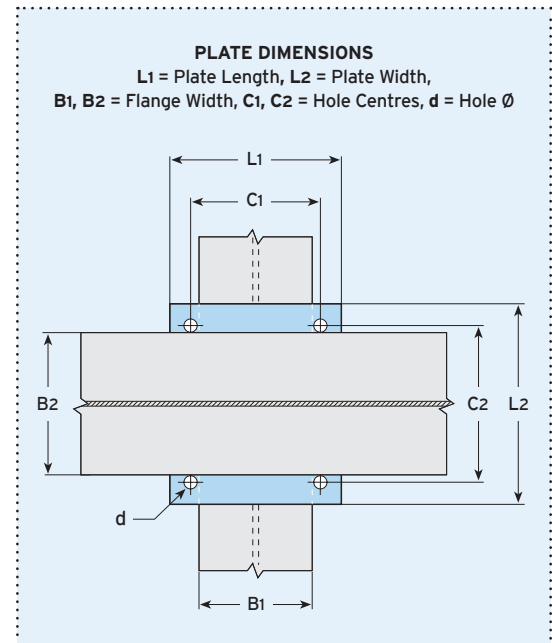
Location plates are simple fabricated items designed to sit between the two sections to be clamped together to ensure the bolts are fixed at the correct centres.



Material: Structural mild steel grade S355 JR, JO or J2.
(Steel grade to be specified by the qualified Engineer. For other grades contact Lindapter).

Bolt Size	Hole Ø d mm	Plate Thickness		Hole Centres C1 mm	Length / Width min L1 mm	Hole Centres C2 mm	Length / Width min L2 mm
		8.8 mm	10.9 mm				
M12	14	10	12	B1 + 14	B1 + 90	B2 + 14	B2 + 90
M16	18	15	15	B1 + 18	B1 + 110	B2 + 18	B2 + 110
M20	22	20	20	B1 + 22	B1 + 150*	B2 + 22	B2 + 150*
M24	26	25	25	B1 + 26	B1 + 180	B2 + 26	B2 + 180

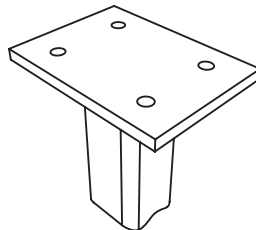
* Plate width for Type AF size M20 can be reduced to 130mm if required.



End Plate

What is it?

End plates are simple fabricated items that are pre-welded to support frames, bracket or sections, allowing connection to the supporting structure with standard Lindapter clamps.

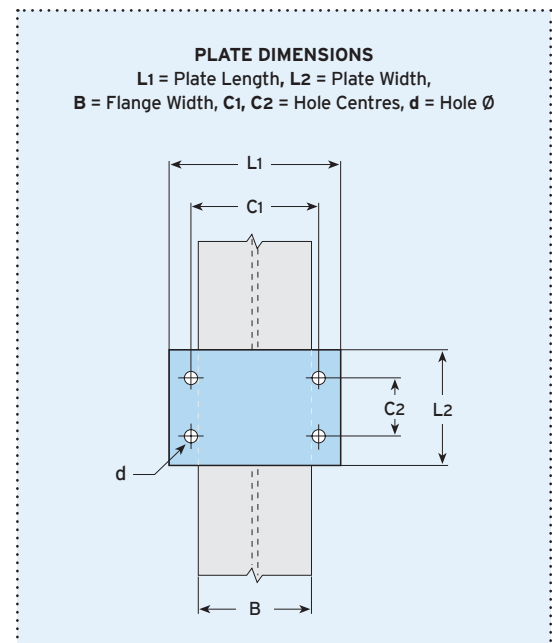


Material: Structural mild steel grade S355 JR, JO or J2.
(Steel grade to be specified by the qualified Engineer. For other grades contact Lindapter).

Bolt Size	Hole Ø d mm	Plate Thickness ¹⁾		Hole Centres C1 mm	Length min L1 mm	Hole Centres min C2 mm	Width min L2 mm
		8.8 mm	10.9 mm				
M12	14	15	20	B + 14	B + 90	80	C2 + 80
M16	18	20	25	B + 18	B + 110	100	C2 + 100
M20	22	25	25	B + 22	B + 150*	180	C2 + 180
M24	26	30	30	B + 26	B + 180	200	C2 + 200

* Plate width for Type AF size M20 can be reduced to 130 if required.

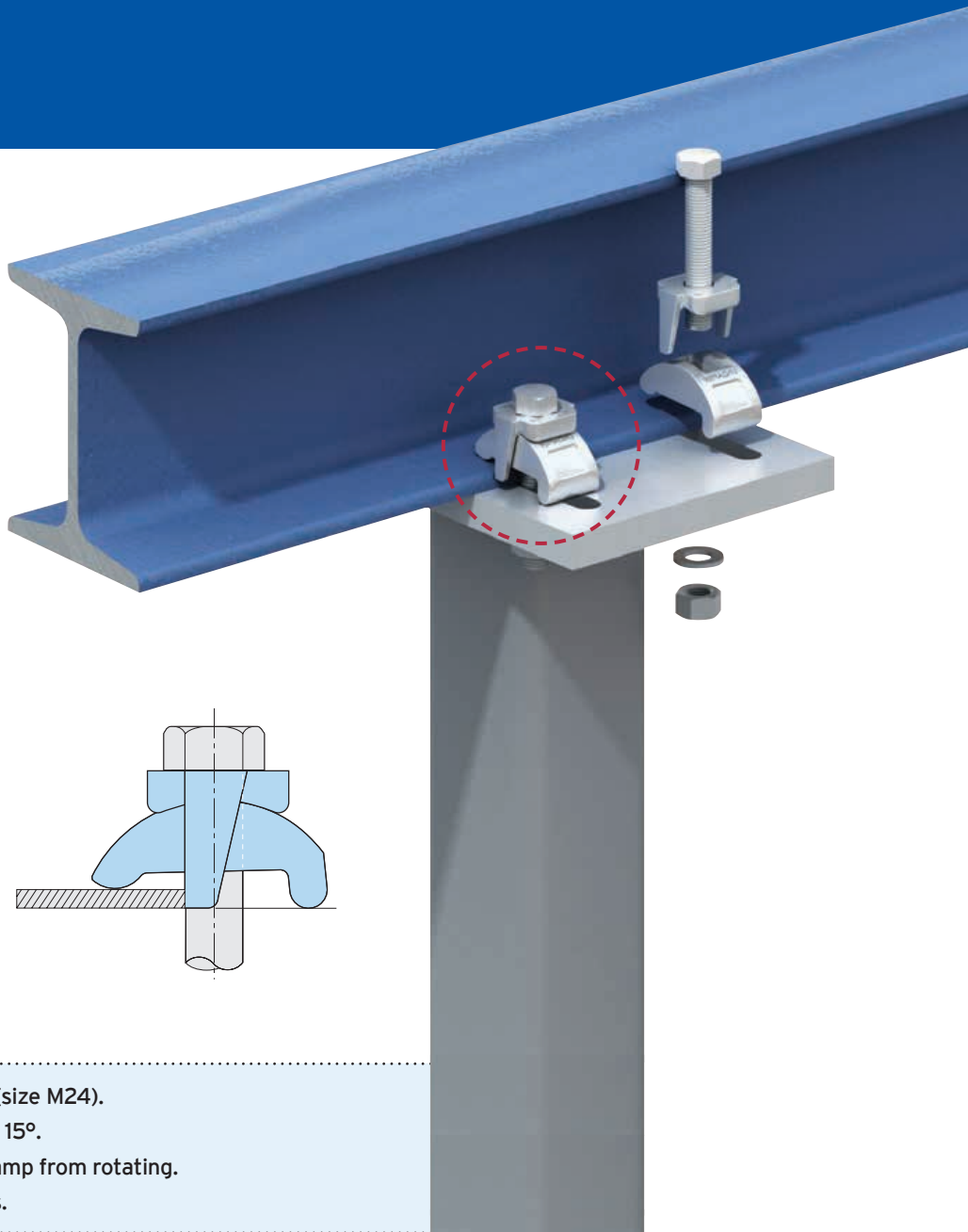
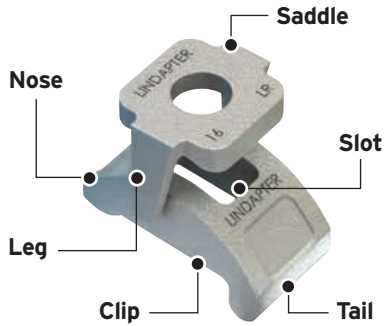
1) Depending on the type of connection and associated end plate use, the thickness may need to be modified to comply with accepted local design codes.



- To calculate the bolt length, add up the total distance that the bolt will pass through, plus half of the bolt diameter. Then round up the total to the nearest available bolt length.

Type LR

A versatile, self-adjusting clamp designed to suit a range of flange thicknesses.



- Clamping ranges from 3mm - 24mm (size M24).
- For parallel and tapered flanges up to 15°.
- The leg of the saddle prevents the clamp from rotating.
- The tail spans slotted clearance holes.

- Packings are available to increase the clamping range, see page 20.
- Location plate / end plate details can be found on page 21.

Material: Malleable iron, zinc plated / hot dip galvanised.

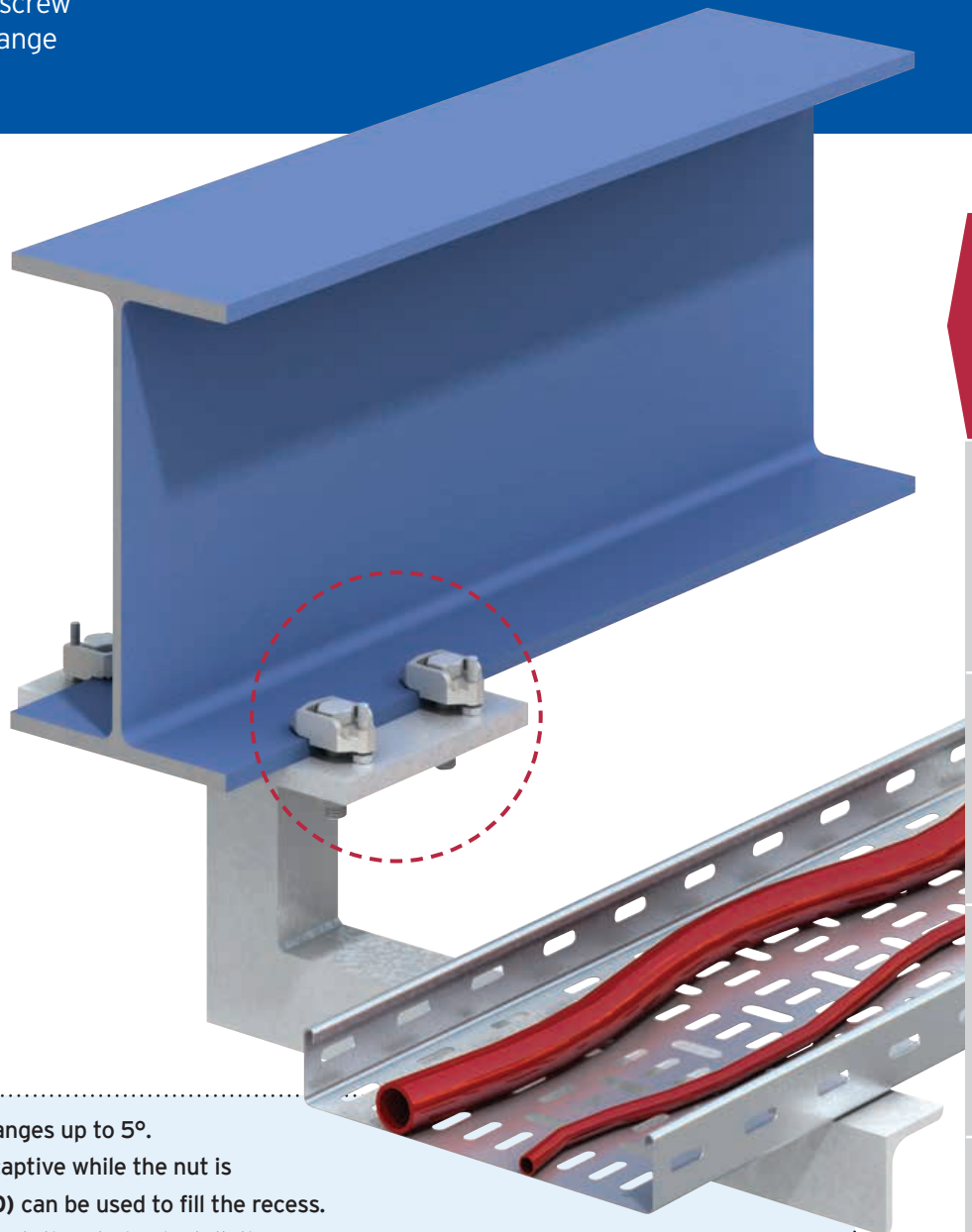
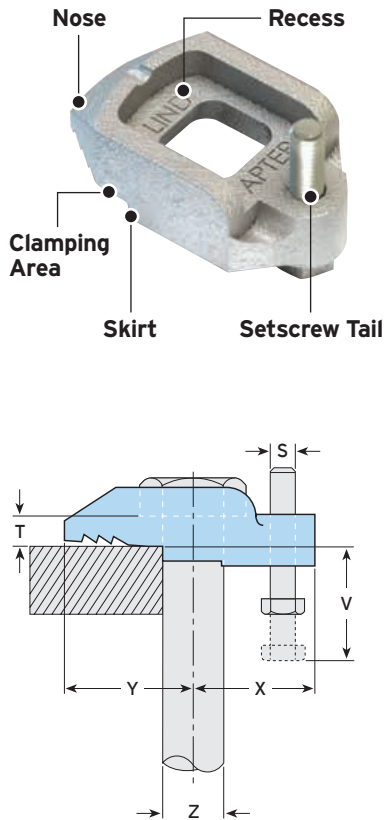


Product Code	Bolt 8.8 Z	Safe Working Loads (Factor of Safety 5:1)		Tightening Torque Nm	Clamping Range V mm	Dimensions			Width with Saddle mm
		Tensile / 1 Bolt kN	Slip Resistance / 2 Bolts kN			Y mm	X mm	T mm	
LR10	M10	1.5	-	20	3 - 10	21 - 24	24 - 26	21 - 24	33
LR12	M12	5.8	0.7	69	3 - 12	26 - 29	25 - 31	25 - 29	39
LR16	M16	7.3	1.5	147	3 - 16	30 - 35	34 - 37	30 - 36	46
LR20	M20	14.7	3.0	285	3 - 20	42 - 49	46 - 51	41 - 48	57
LR24	M24	19.7	4.5	491	3 - 24	47 - 57	52 - 58	44 - 54	76

GIRDER CLAMPS
RAIL FIXINGS
LIFTING POINTS
HOLLO-BOLT
FLOOR FIXINGS
SUPPORT FIXINGS
DECKING FIXINGS

Type D2

This clamp has an adjustable Setscrew Tail that can be adapted to fit a range of flange thicknesses.



- Suitable for parallel and tapered flanges up to 5°.
- Recessed top holds the bolt head captive while the nut is tightened. Type W washer (page 20) can be used to fill the recess.
- The skirt prevents the clamp from rotating during installation.

- Packings are available to increase the clamping range, see page 20.
- Location plate / end plate details can be found on page 21.

Material: Malleable iron, zinc plated / hot dip galvanised.



Product Code	Bolt 8.8 Z	Safe Working Loads (Factor of Safety 5:1)		Tightening Torque Nm	Dimensions						
		Tensile / 1 Bolt kN	Slip Resistance / 2 Bolts kN		Clamping Range V ¹⁾ mm V ²⁾ mm		Y mm	X mm	S mm	T mm	Width mm
D210	M10	1.5	-	20	5 - 10	10 - 20	20	20	M6	5	26
D212	M12	5.8	0.7	69	5 - 10	10 - 22	26	25	M6	6	29
D216	M16	7.3	1.5	147	6.5 - 13	13 - 20	30	30	M8	8	35
D220	M20	14.7	3.0	285	8.5 - 17	17 - 24	36	35	M10	10	42

1) Setscrew (S) inserted from above.
2) Setscrew (S) inserted from below.

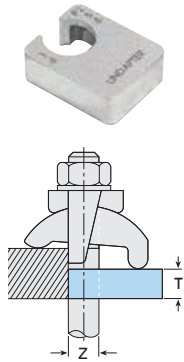
Packing Pieces for Types LR and D2

These packing pieces are compatible with the Types LR and D2 fixings and are used to increase the clamping range to suit a range of flange thicknesses. Please select the correct packing combination from the table below.

Packing Pieces

Type P1 long / Type P2 long

Mild steel, malleable iron, zinc plated / hot dip galv.

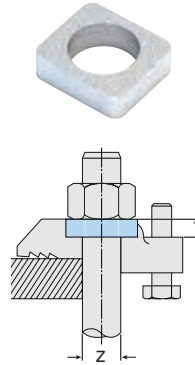


Product Code	Bolt Size Z	Dimension T (mm)
P1L10	M10	5
P1L12	M12	6
P1L16	M16	8
P1L20	M20	10
P1L24	M24	12
P2L10	M10	10
P2L12	M12	12
P2L16	M16	16
P2L20	M20	20
P2L24	M24	24

Also Available

Type W

Mild steel, zinc plated / hot dip galvanised.



Product Code	Bolt Size Z	Dimension T (mm)
W08	M8	4
W10	M10	5.5
W12	M12	6
W16	M16	8
W20	M20	10

Note: The Type W is used to fill the recess in the Type D2 to convert it into a flat top clamp to enable the bolt head or nut to be rotated.

Tail Length / Packing Combinations

Packing Combinations for Type LR (Parallel flanges only)

Combinations			Clamping Range				
LR	P1L	P2L	M10 mm	M12 mm	M16 mm	M20 mm	M24 mm
1	-	-	3 - 10	3 - 12	3 - 16	3 - 20	3 - 24
1	1	-	8 - 15	9 - 18	11 - 24	13 - 30	15 - 36
1	-	1	13 - 20	15 - 24	19 - 32	23 - 40	27 - 48
1	1	1	18 - 25	21 - 30	27 - 40	33 - 50	39 - 60
1	-	2	23 - 30	27 - 36	35 - 48	43 - 60	51 - 72
1	1	2	28 - 35	33 - 42	43 - 56	53 - 70	63 - 84
1	-	3	33 - 40	39 - 48	51 - 64	63 - 80	75 - 96

Packing Combinations for Type LR (For IPN-Beams of an 8° slope only)

IPN Profile mm	M10		M12			M16			M20			M24			
	LR	P1L	P2L	LR	P1L	P2L	LR	P1L	P2L	LR	P1L	P2L	LR	P1L	P2L
80	1	-	-	-	-	-	-	-	-	-	-	-	-	-	-
100	1	-	-	1	-	-	-	-	-	-	-	-	-	-	-
120	1	-	-	1	-	-	1	-	-	-	-	-	-	-	-
140	1	-	-	1	-	-	1	-	-	-	-	-	-	-	-
160	1	-	-	1	-	-	1	-	-	1	-	-	-	-	-
180	1	-	-	1	-	-	1	-	-	1	-	-	-	-	-
200	1	-	-	1	-	-	1	-	-	1	-	-	-	-	-
220	1	-	-	1	-	-	1	-	-	1	-	-	1	-	-
240	1	1	-	1	-	-	1	-	-	1	-	-	1	-	-
260	1	1	-	1	-	-	1	-	-	1	-	-	1	-	-
280	1	1	-	1	1	-	1	-	-	1	-	-	1	-	-
300	1	1	-	1	1	-	1	-	-	1	-	-	1	-	-
320	1	1	-	1	1	-	1	-	-	1	-	-	1	-	-
340	1	1	-	1	1	-	1	-	-	1	-	-	1	-	-
360	1	-	1	1	1	-	1	1	-	1	-	-	1	-	-
380	1	-	1	1	1	-	1	1	-	1	-	-	1	-	-
400	1	-	1	1	1	-	1	1	-	1	-	-	1	-	-
425	1	-	1	1	1	-	1	1	1	-	1	1	-	1	-
450	1	-	1	1	1	-	1	1	1	-	1	1	-	1	-
475	1	1	1	1	1	-	1	1	1	-	1	1	-	1	-
500	1	1	1	1	1	-	1	1	1	-	1	1	-	1	-
550	1	1	1	1	1	1	1	1	-	1	1	1	-	1	-
600	-	-	-	1	1	1	1	-	1	1	1	-	1	1	-

LR = Type LR P1L = Type P1 long P2L = Type P2 long

➔ For thicker flanges please contact Lindapter.

Packing Combinations for Type D2 (Parallel flanges and beams of up to 5° slope)

Combinations			Clamping Range			
D2	P1L	P2L	M10 mm	M12 mm	M16 mm	M20 mm
1 ¹⁾	-	-	5 - 10	5 - 10	6.5 - 13	8.5 - 17
1	-	-	10 - 20	10 - 22	13 - 20	17 - 24
1	1	-	15 - 25	16 - 28	21 - 28	27 - 34
1	-	1	20 - 30	22 - 34	29 - 36	37 - 44
1	1	1	25 - 35	28 - 40	37 - 44	47 - 54
1	-	2	30 - 40	34 - 46	45 - 52	57 - 64
1	1	2	35 - 45	40 - 52	53 - 60	67 - 74
1	-	3	40 - 50	46 - 58	61 - 68	77 - 84

1) Setscrew inverted.

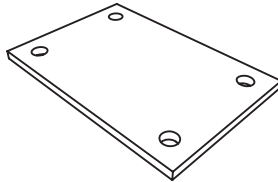
Location and End Plates for Types LR and D2

These plates ensure the clamps and bolts are located in the correct position relative to the supporting steelwork. If you would like help with choosing a suitable plate, please contact Lindapter.

Location Plate

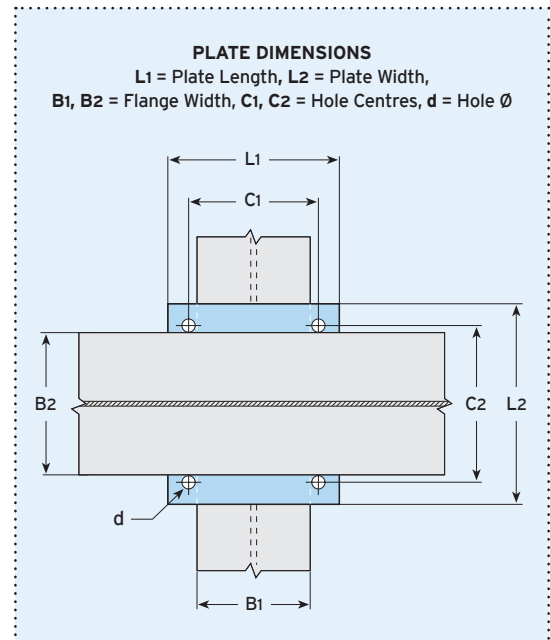
What is it?

Location plates are simple fabricated items designed to sit between the two sections to be clamped together to ensure the bolts are fixed at the correct centres.



Material: Structural mild steel grade S355 JR or JO.
(Steel grade to be specified by the qualified Engineer. For other grades contact Lindapter).

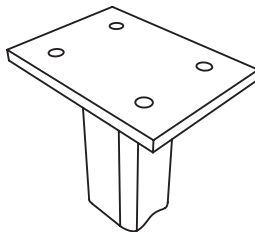
Bolt Size	Hole Ø d mm	Plate Thick. mm	Hole Centres C1 mm	Length / Width min L1 mm	Hole Centres C2 mm	Length / Width min L2 mm
M10	11	8	B ₁ + 11	B ₁ + 66	B ₂ + 11	B ₂ + 66
M12	14	10	B ₁ + 14	B ₁ + 81	B ₂ + 14	B ₂ + 81
M16	18	15	B ₁ + 18	B ₁ + 105	B ₂ + 18	B ₂ + 105
M20	22	20	B ₁ + 22	B ₁ + 132	B ₂ + 22	B ₂ + 132
M24	26	20	B ₁ + 26	B ₁ + 156	B ₂ + 26	B ₂ + 156



End Plate

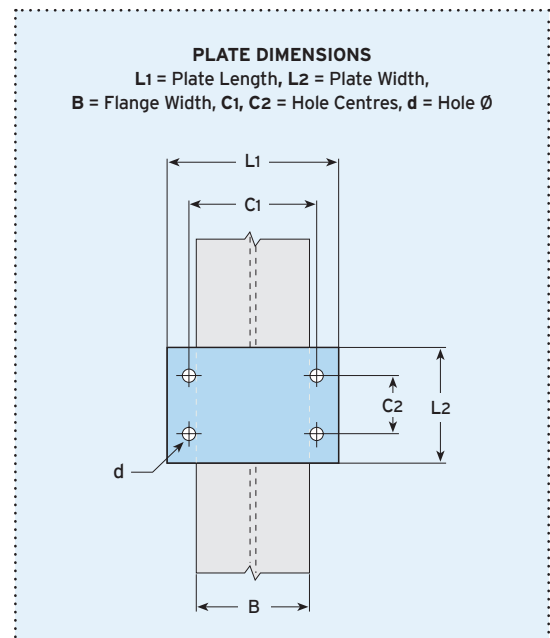
What is it?

End plates are simple fabricated items that are pre-welded to support frames, bracket or sections, allowing connection to the supporting structure with standard Lindapter clamps.



Material: Structural mild steel grade S355 JR or JO.
(Steel grade to be specified by the qualified Engineer. For other grades contact Lindapter).

Bolt Size	Hole Ø d mm	Plate Thick. ¹⁾ mm	Hole Centres C1 mm	Length min L1 mm	Hole Centres C2 mm	Width min L2 mm
M10	11	8	B + 11	B + 66	70	C ₂ + 50
M12	14	10	B + 14	B + 81	80	C ₂ + 60
M16	18	15	B + 18	B + 105	100	C ₂ + 70
M20	22	20	B + 22	B + 132	120	C ₂ + 90
M24	26	20	B + 26	B + 156	150	C ₂ + 110

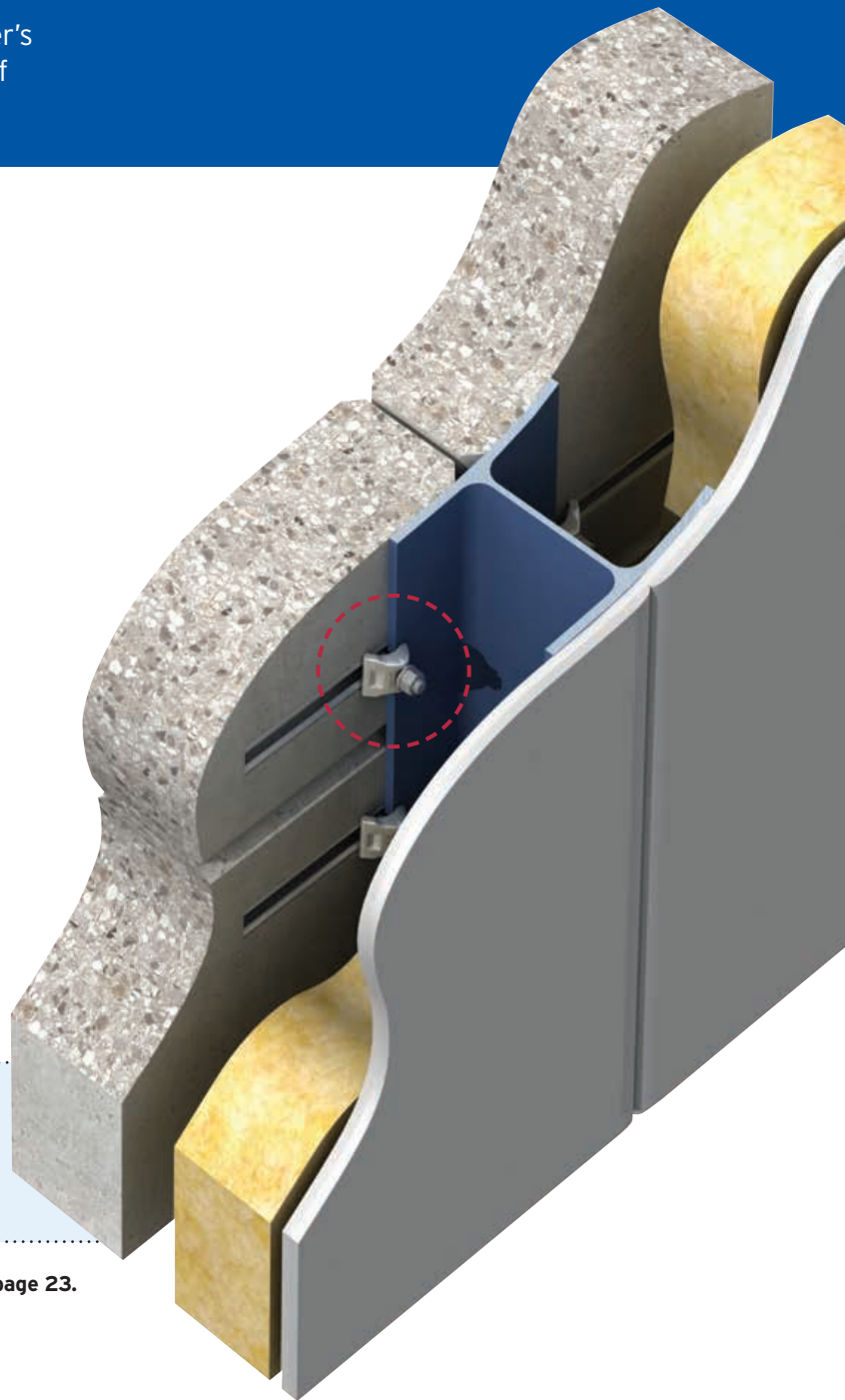
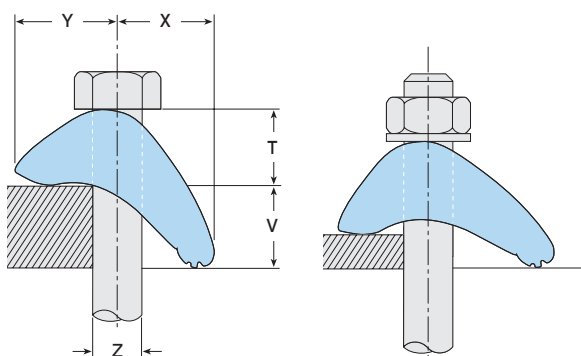
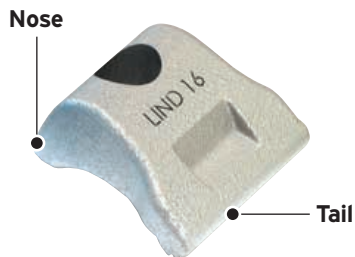


1) Depending on the type of connection and associated end plate use, the thickness may need to be modified to comply with accepted local design codes.

- To calculate the bolt length, add up the total distance that the bolt will pass through, plus half of the bolt diameter. Then round up the total to the nearest available bolt length.

Type LS

Providing excellent corrosion resistance, Lindapter's stainless steel clamp self-adjusts to suit a range of flange thicknesses.



- Made from high strength stainless steel grade 316.
- Self-adjusts to suit 3mm - 30mm flange thicknesses.
- For parallel and tapered flanges up to 10°.
- The tail spans slotted clearance holes.

- Packings are available to increase the clamping range, see page 23.
- Location plate / end plate details can be found on page 23.

Material: Cast stainless steel grade 316.



Product Code	Bolt A4-70 Z	Safe Working Loads		Tightening Torque Nm	Clamping Range V mm	Dimensions			Width mm
		Tensile / 1 Bolt (FOS 5:1) kN	Slip Resistance ¹⁾ / 2 Bolts (FOS 2:1) kN			Y mm	X mm	T mm	
LS10	M10	3.0	1.5	40	3 - 15	17 - 19	18 - 24	16 - 21	38
LS12	M12	7.0	2.0	80	3 - 20	16 - 22	18 - 29	17 - 23	40
LS16	M16	10.0	3.0	200	3 - 25	22 - 25	27 - 37	20 - 28	55
LS20	M20	18.0	5.0	400	3 - 30	24 - 31	25 - 42	23 - 32	60

¹⁾ Slip resistance loads calculated against slip (movement exceeding 0.1mm).

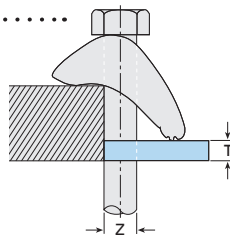
GIRDER CLAMPS
 RAIL FIXINGS
 LIFTING POINTS
 HOLLO-BOLT
 FLOOR FIXINGS
 SUPPORT FIXINGS
 DECKING FIXINGS

Packing Pieces and Plate Details for Type LS

Stainless steel packing pieces are available to increase the clamping range of the Type LS, please select the correct packing combination from the table below. This page also contains information for designing location / end plates.

Packing Pieces

Type
LSP2



Material: Stainless steel grade 316.

Product Code	Bolt Size Z	Dimension T (mm)
LS10P2	M10	10
LS12P2	M12	10
LS16P2	M16	10
LS20P2	M20	10

Packing Combinations for Type LS

(For parallel flanges and beams up to a 10° slope)

For example, a size M20 Type LS on a 42mm flange requires 2 x Type LSP2.

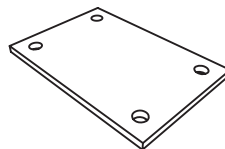
Combinations		Clamping Range			
LS	LSP2	M10 mm	M12 mm	M16 mm	M20 mm
1	-	3 - 15	3 - 20	3 - 25	3 - 30
1	1	13 - 25	13 - 30	13 - 35	13 - 40
1	2	23 - 35	23 - 40	23 - 45	23 - 50

➤ For thicker flanges please contact Lindapter.

Location Plate

What is it?

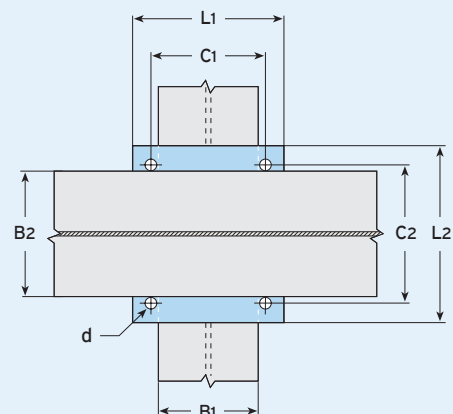
Location plates are simple fabricated items designed to sit between the two sections to be clamped together to ensure the bolts are fixed at the correct centres.



Material: Stainless steel grade 304 / 316.

Bolt Size	Hole Ø d mm	Plate Thick. mm	Hole Centres C1 mm	Length / Width min L1 mm	Hole Centres C2 mm	Length / Width min L2 mm
M10	11	10	B1 + 11	B1 + 70	B2 + 11	B2 + 70
M12	14	12	B1 + 14	B1 + 80	B2 + 14	B2 + 80
M16	18	15	B1 + 18	B1 + 100	B2 + 18	B2 + 100
M20	22	20	B1 + 22	B1 + 130	B2 + 22	B2 + 130

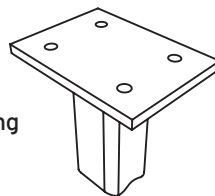
PLATE DIMENSIONS: L1 = Plate Length, L2 = Plate Width, B1, B2 = Flange Width, C1, C2 = Hole Centres, d = Hole Ø



End Plate

What is it?

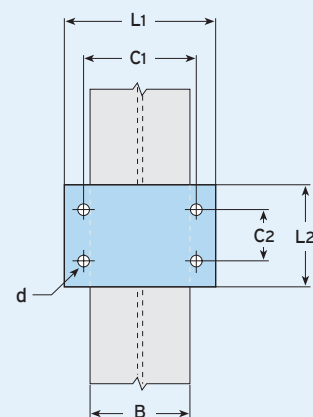
End plates are simple fabricated items that are pre-welded to support frames, bracket or sections, allowing connection to the supporting structure with standard Lindapter clamps.



Material: Stainless steel grade 304 / 316.

Bolt Size	Hole Ø d mm	Plate Thick. ¹⁾ mm	Hole Centres C1 mm	Length / Width min L1 mm	Hole Centres min C2 mm	Length / Width min L2 mm
M10	11	10	B + 11	B + 70	80	C2 + 60
M12	14	15	B + 14	B + 80	80	C2 + 60
M16	18	20	B + 18	B + 100	110	C2 + 80
M20	22	25	B + 22	B + 130	120	C2 + 90

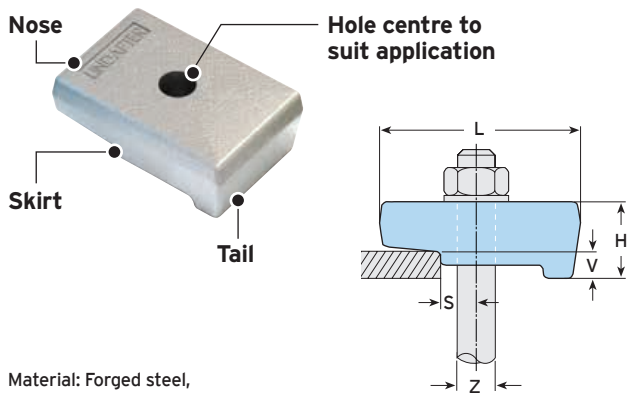
PLATE DIMENSIONS: L1 = Plate Length, L2 = Plate Width, B = Flange Width, C1, C2 = Hole Centres, d = Hole Ø



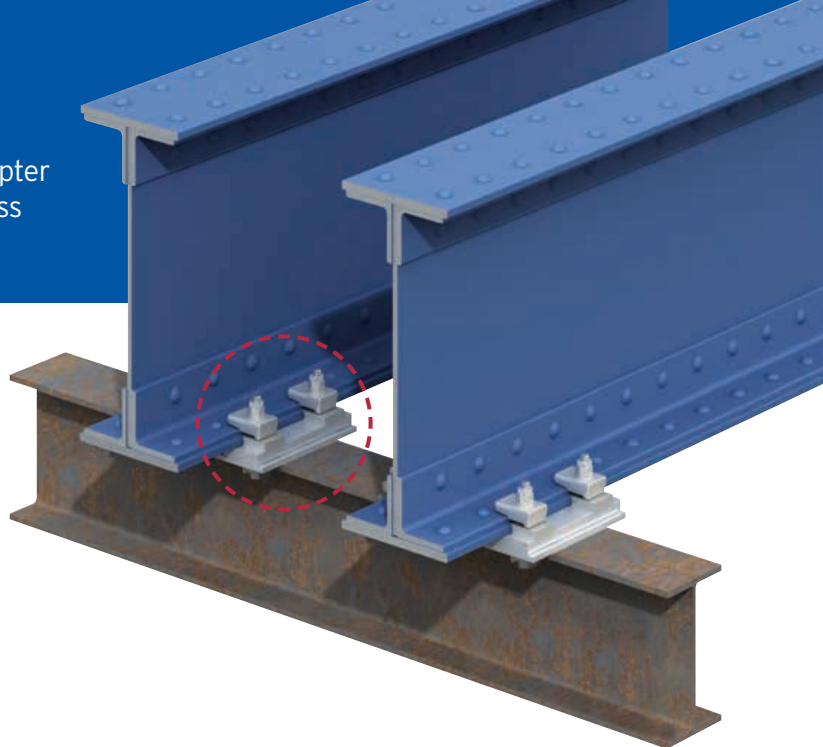
1) Depending on the type of connection and associated end plate use, the thickness may need to be modified to comply with accepted local design codes.

Type RC

Customised position of hole centre, drilled by Lindapter to suit the application. For flanges of 10mm thickness or greater, either parallel or tapered up to 5°.



Material: Forged steel, corrosion protection as required.

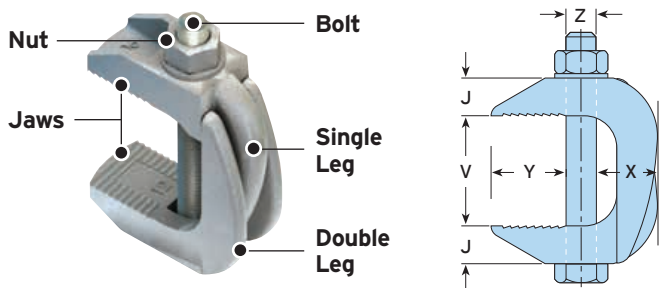


Product Code	Bolt 8.8 Z	Safe Working Loads Tensile / 1 Bolt (FOS 5:1) kN	Tightening Torque Nm	Tail Length V mm	Dimensions			
					S mm	L mm	H mm	Width mm
RCS12	M12	2.6	69	10	6.5 - 26.5	76	29	50
RCS16	M16	4.0	147	10	9 - 24	76	29	50
RCS20	M20	9.6	285	10	11 - 22	76	29	50
RCS24	M24	12.3	491	10	13 - 20	76	29	50

➤ Contact Lindapter to ensure suitability of the component for application.

Type F9

A flange clamp for connecting parallel running steel sections with flanges of the same width. Can be used with bolts or threaded rod.



Material: Malleable iron, zinc plated / hot dip galvanised.

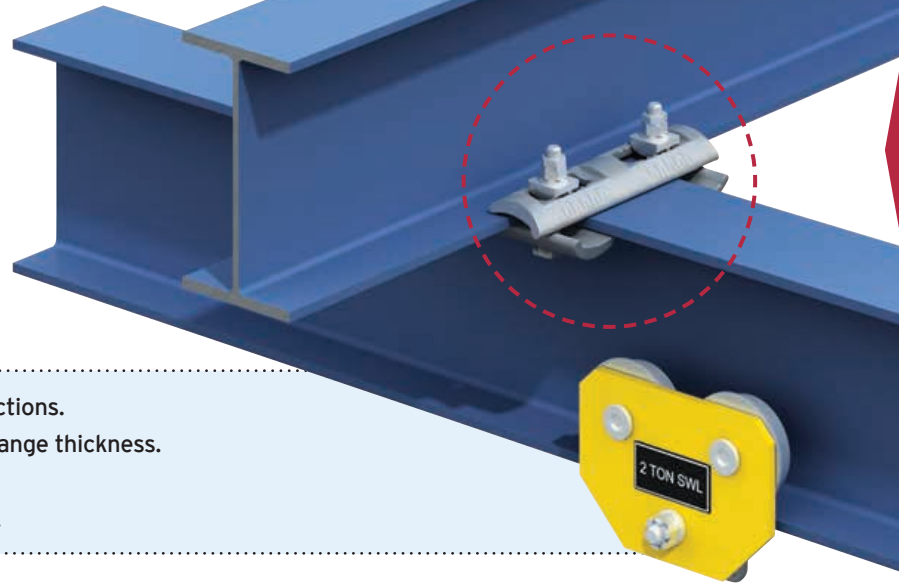
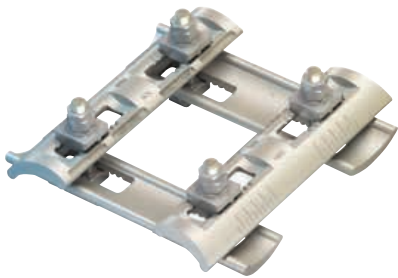


Product Code		Bolt 8.8 Z	Safe Working Loads Tensile / 1 Bolt (FOS 5:1) kN	Tightening Torque Nm	Clamping Range V mm	Dimensions			
with Bolt	without Bolt					Y mm	J mm	X mm	Width mm
F910NC	F910NB	M10	2.0	20	19 - 42	25	13	19	24
F912NC	F912NB	M12	2.8	39	26 - 60	35	17	24	30
F916NC	F916NB	M16	5.6	93	29 - 69	43	21	28	35
F920NC	F920NB	M20	8.4	177	32 - 82	51	25	35	44
F924NC	F924NB	M24	14.0	235	45 - 95	76	38	55	63

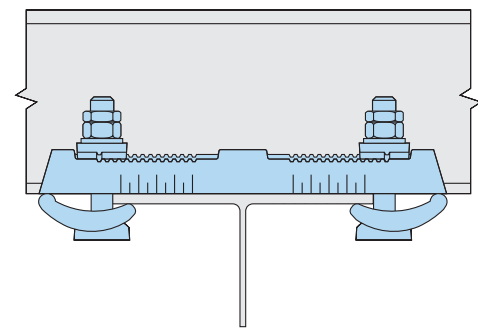
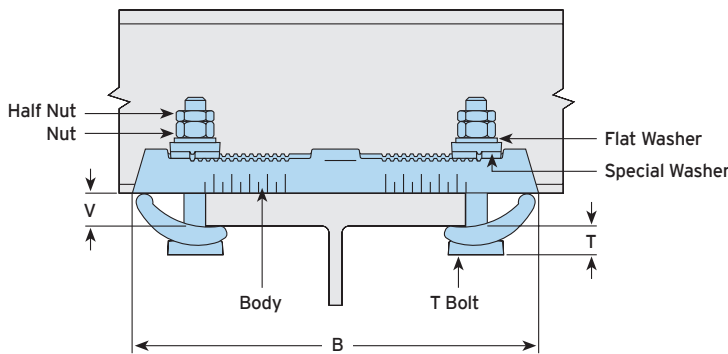
➤ Not suitable for tapered flanges.

Type FC - Flush Clamp

A full connection system that adjusts to fit a variety of beam types. This pre-configured assembly does not require a location plate and is ready for assembly 'out of the box'.



- 'All-in-one' device for connecting steel sections.
- Adjustable to suit both beam width and flange thickness.
- Quick and easy to install.
- For parallel and tapered flanges up to 10°.



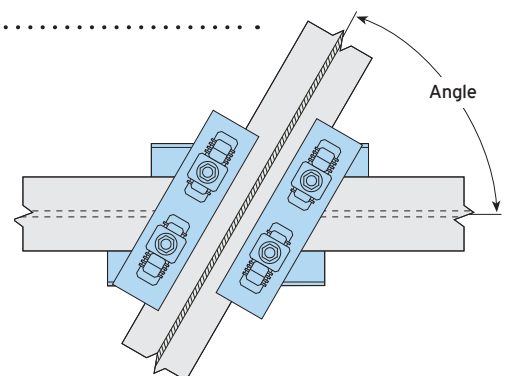
Material: Forged steel, zinc plated plus JS500.

Product Code	T Bolt 8.8	Safe Working Loads (Factor of Safety 5:1)			Tightening Torque Nm	Clamping Range		Dimensions	
		Tensile / 4 Bolts kN	Slip Resistance / 4 Bolts kN			Flange Thickness V mm	Flange Width ¹⁾ mm	T mm	B mm
FC16	M16	30.0	7.5		147	5 - 19	75 - 180	22 - 27	304

¹⁾ Depending on beam connection angles (see table below).

Minimum Possible Beam Connection Angles

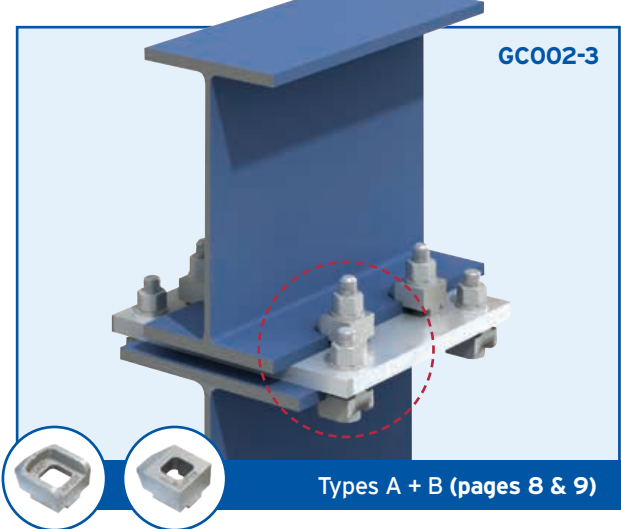
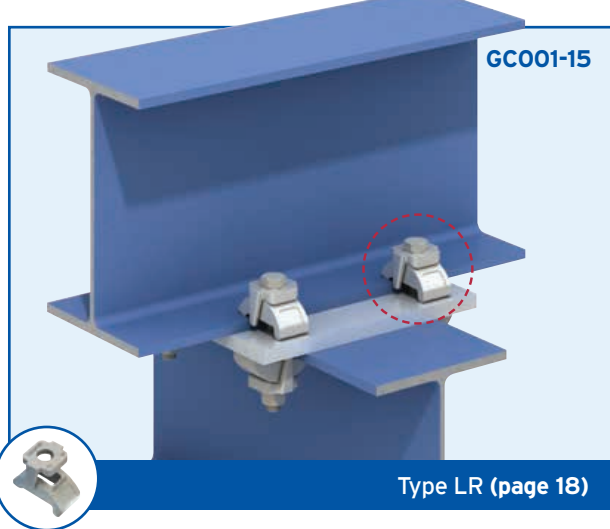
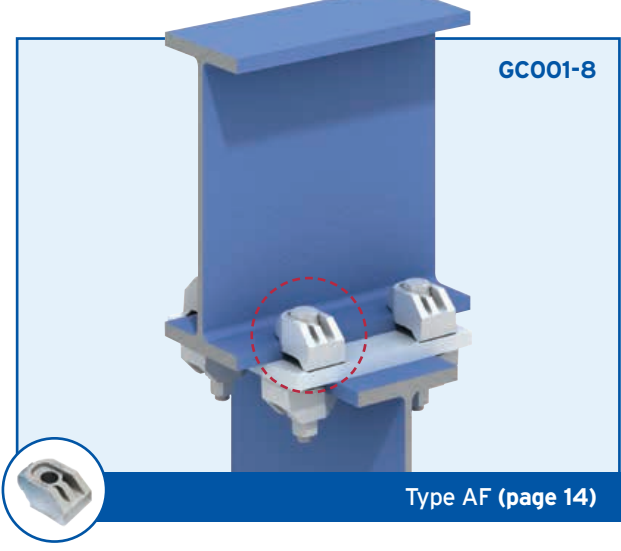
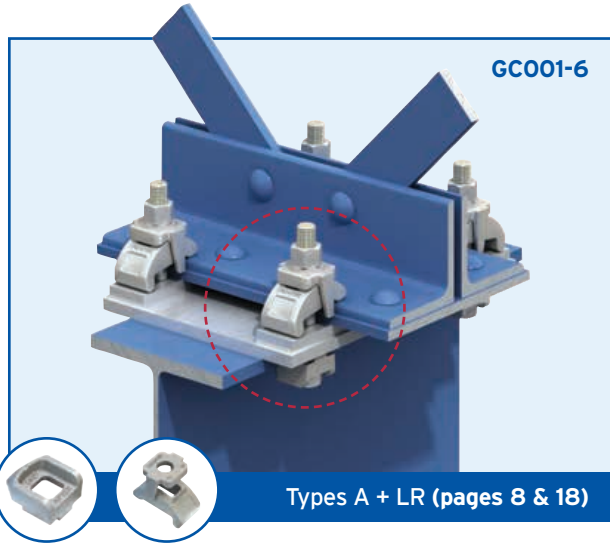
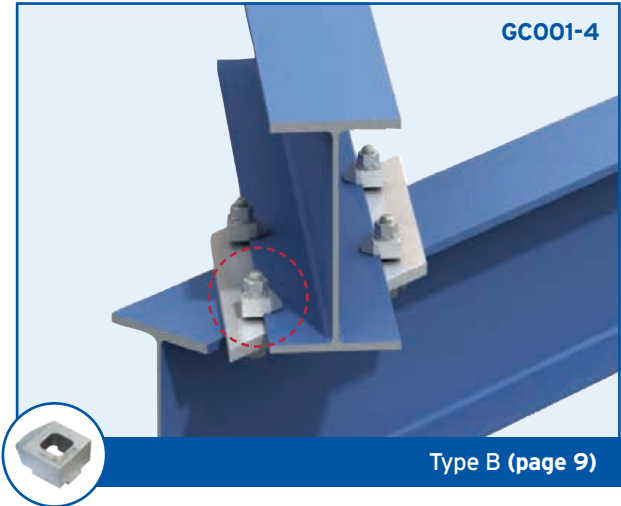
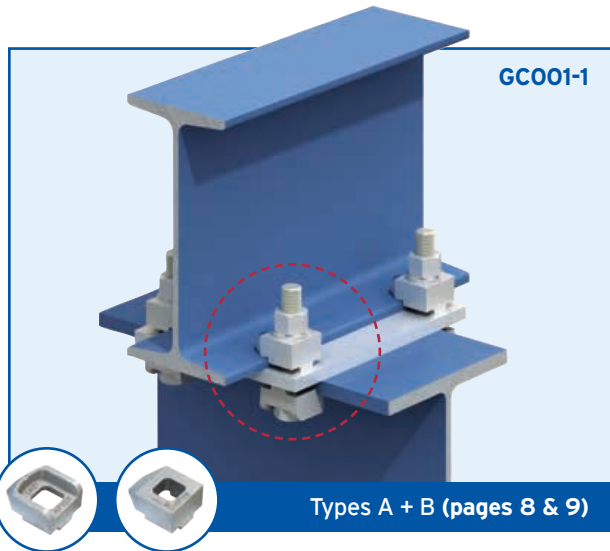
		Top Beam				
Bottom Beam	Flange Width	76.2 mm	101.6 mm	127.0 mm	152.4 mm	177.8 mm
	76.2mm	45°	50°	55°	65°	75°
	101.6mm	50°	50°	55°	65°	75°
	127.0mm	55°	55°	55°	65°	75°
	152.4mm	65°	65°	65°	65°	75°
	177.8mm	75°	75°	75°	75°	80°



Typical Applications for Girder Clamps

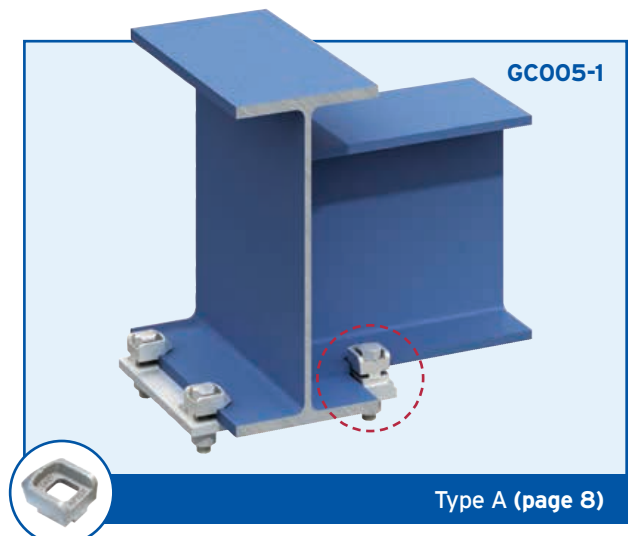
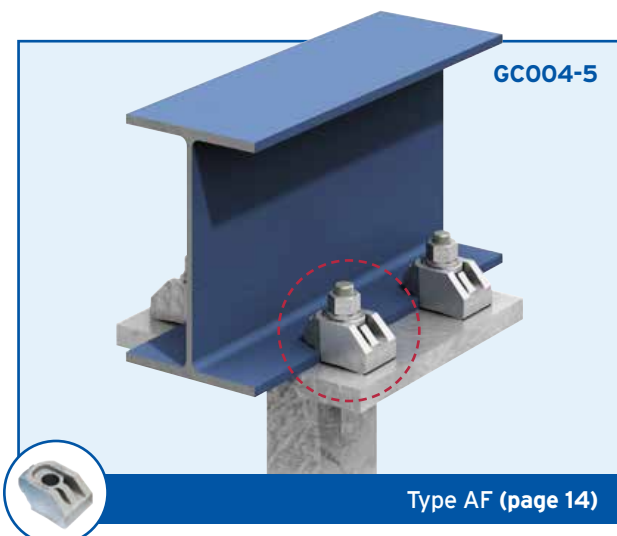
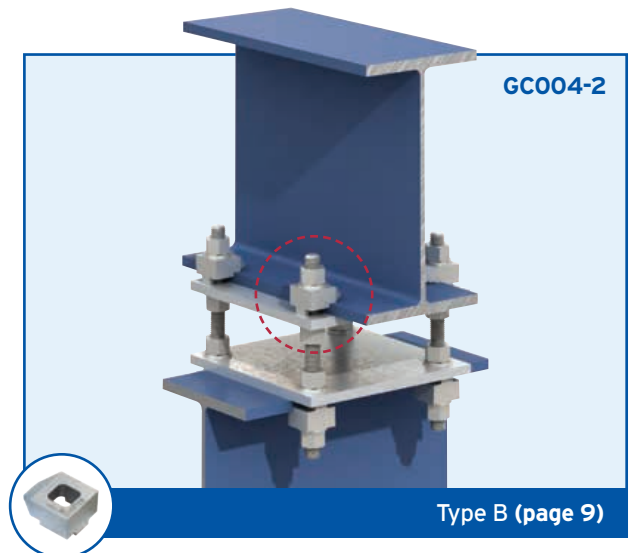
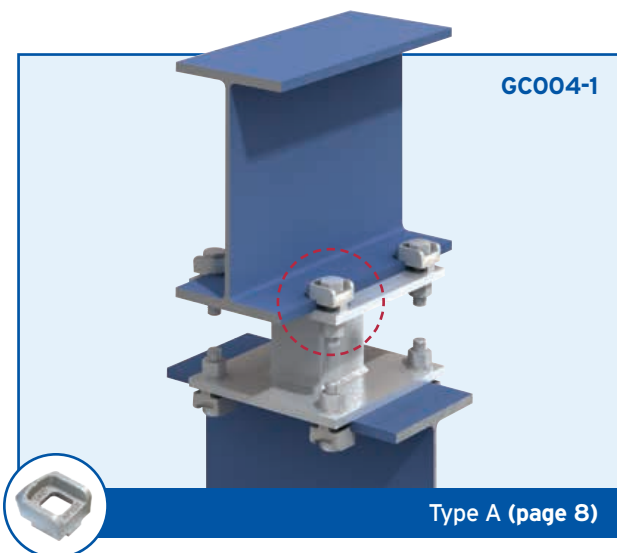
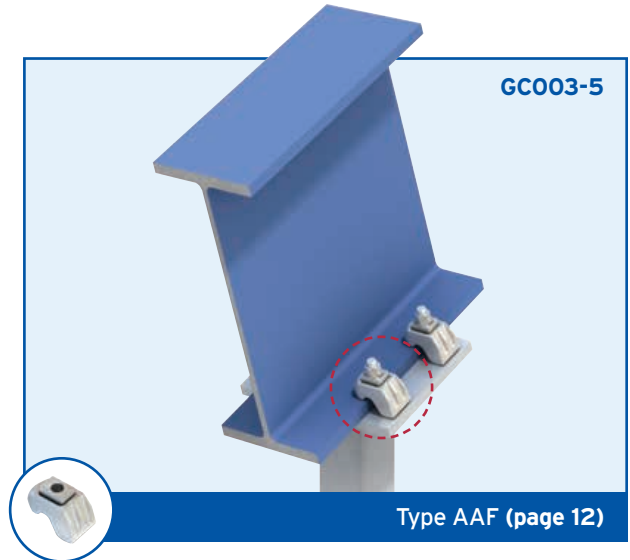
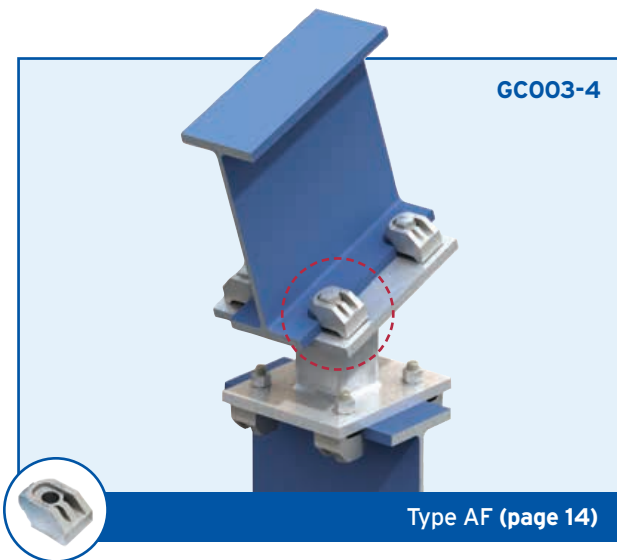
Popular connection assemblies are shown below. They represent a fraction of the possibilities as Lindapter's clamps are used all over the world to connect almost every type of steel section. Visit the website for more examples or contact Lindapter to discuss your connection requirement.

GIRDER CLAMPS
 RAIL FIXINGS
 LIFTING POINTS
 HOLLO-BOLT
 FLOOR FIXINGS
 SUPPORT FIXINGS
 DECKING FIXINGS



Typical Applications for Girder Clamps

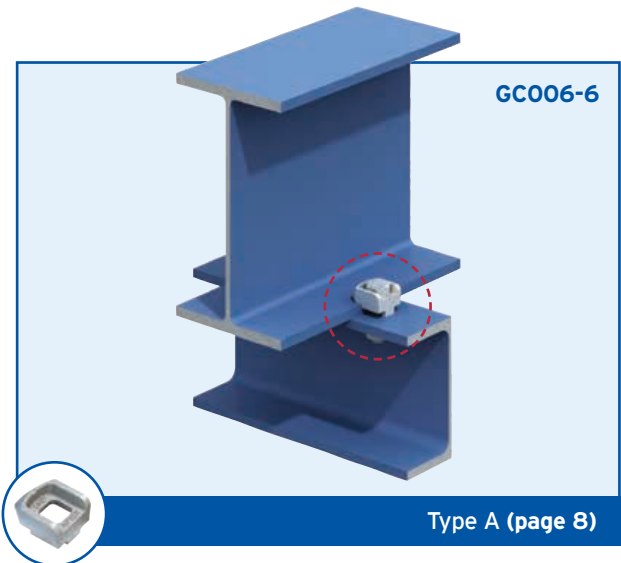
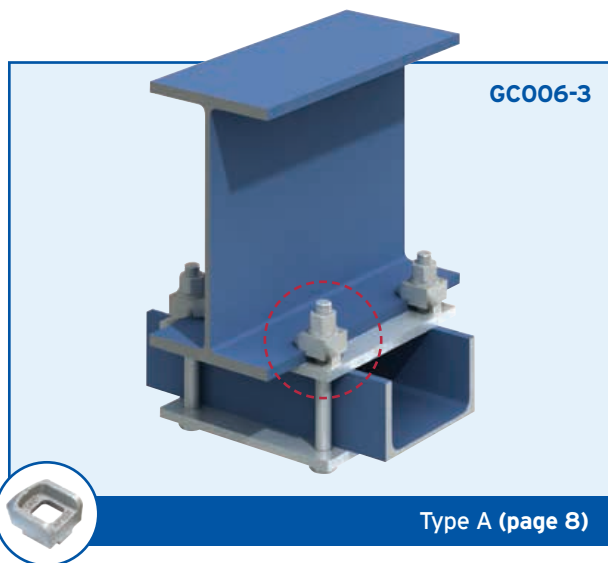
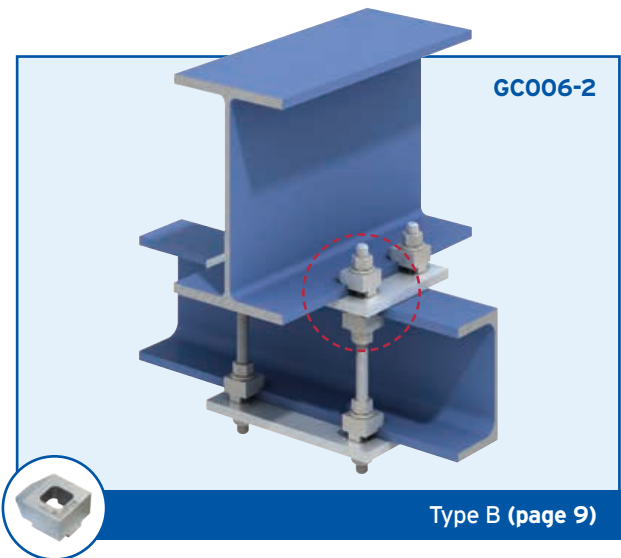
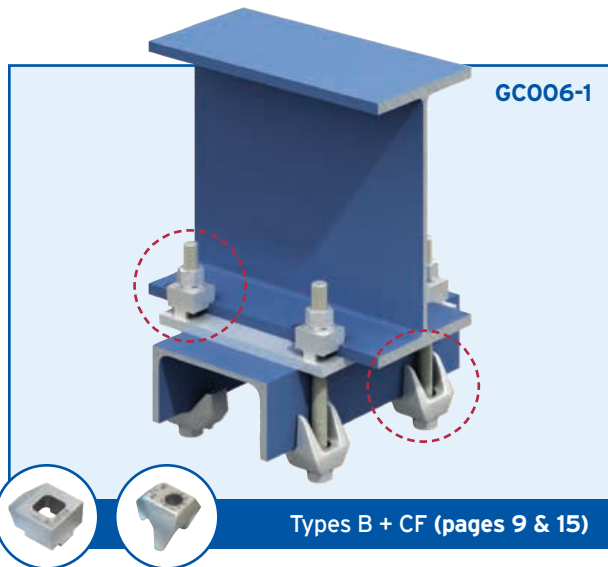
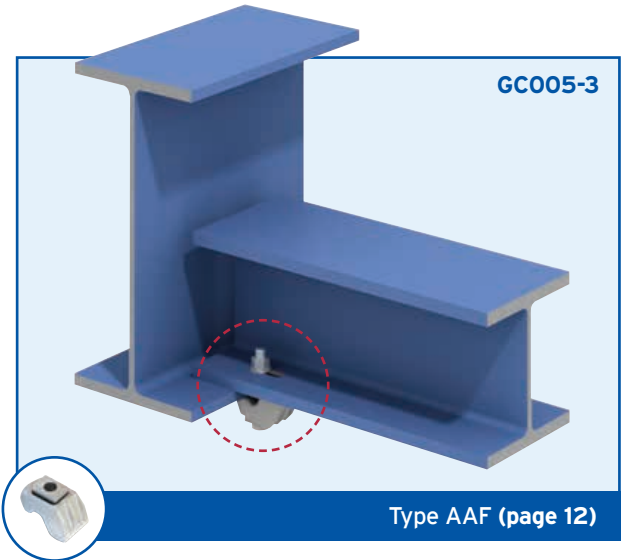
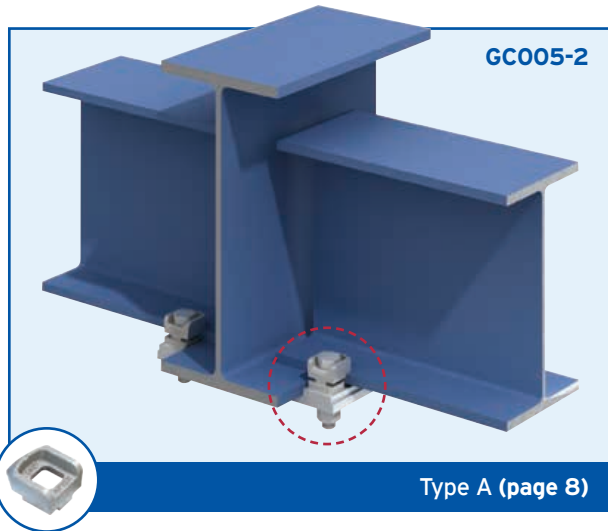
Examples of popular connection arrangements are continued below.



Typical Applications for Girder Clamps

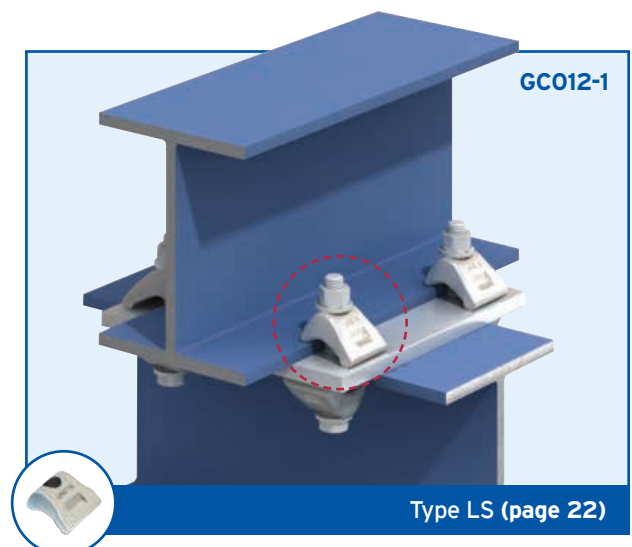
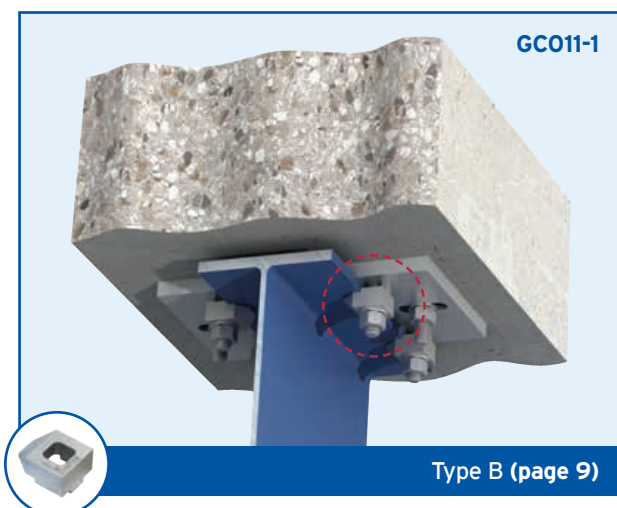
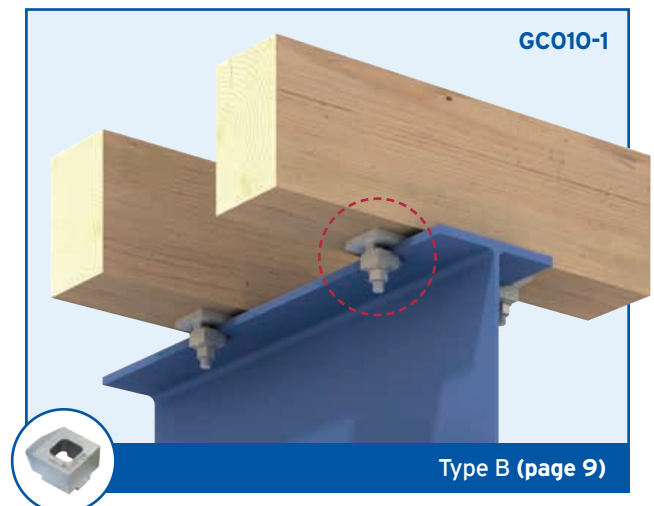
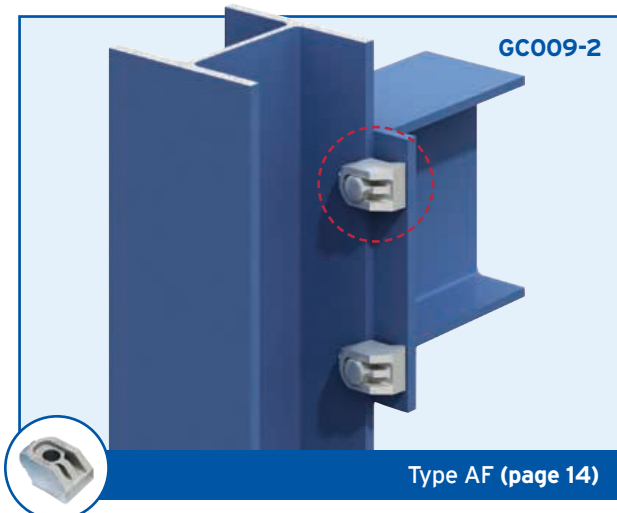
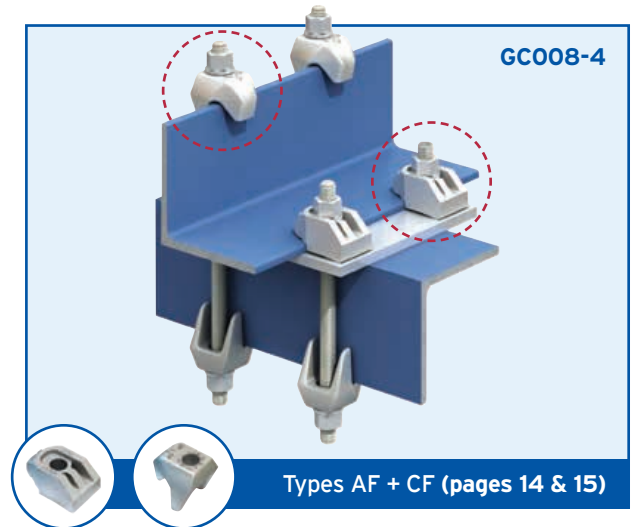
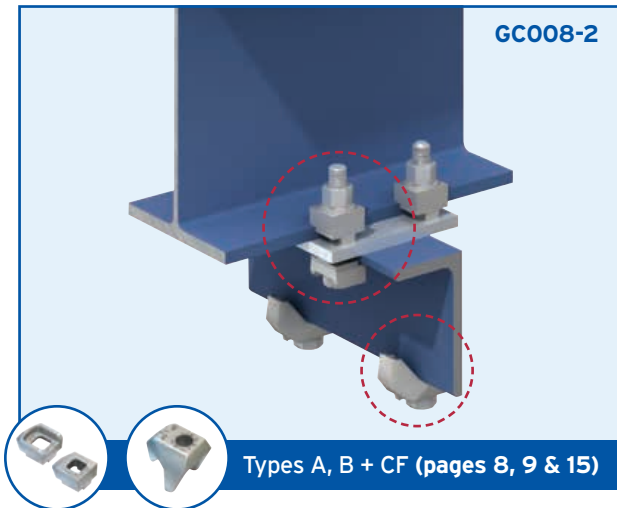
More examples of popular connection assemblies are shown below.

GIRDER CLAMPS
RAIL FIXINGS
LIFTING POINTS
HOLLO-BOLT
FLOOR FIXINGS
SUPPORT FIXINGS
DECKING FIXINGS



Typical Applications for Girder Clamps

Examples of popular connection arrangements are continued below.
Contact Lindapter to discuss your connection requirement.





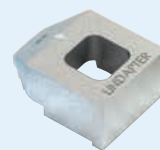
The popular Type HD provides lateral adjustability to allow the quick and precise alignment of rails (see page 32).

Rail Fixings

pages 30 - 33

For securing rails or crane lines in low speed applications such as ground track, elevated rail and overhead gantries. These fixings are used in a wide range of environments including, train maintenance depots, industrial facilities, water treatment plants, dam/dockside cranes, automated warehouses and power stations.

Type BR
page 31

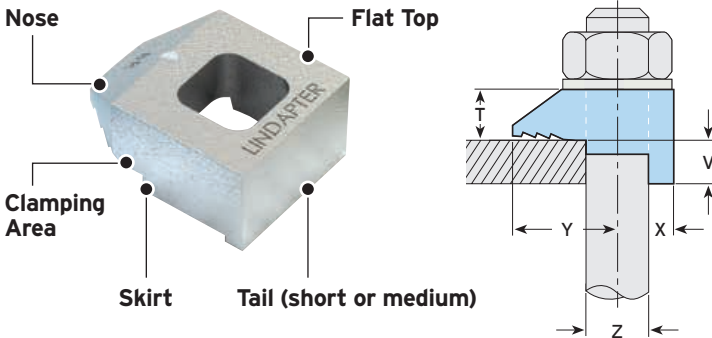


Type HD
page 32



Type BR

A basic clamp for securing low speed rail or steel beams with either parallel or tapered flanges up to 8°. The tail is available in two lengths and spans slotted clearance holes.



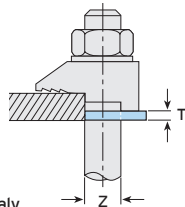
Material: Malleable iron, zinc plated / hot dip galvanised.

Code	Bolt 8.8 Z	Safe Working Loads (FOS 5:1)			Tightening Torque	Dimensions					
		Tensile / 1 Bolt	Slip Resistance / 2 Bolts			Tail Length V			T	Width	
		kN	kN	Nm	Y	X	short	medium			
					mm	mm	mm	mm	mm	mm	
BR12	M12	5.8	0.7	69	26	13	4	6	13	29	
BR16	M16	7.3	1.5	147	30	16	6	8	16	35	
BR20	M20	14.7	3.0	285	36	19	7	10	19	42	

➤ Contact Lindapter to ensure suitability of the component for application.

Packing Pieces and Combinations for Type BR

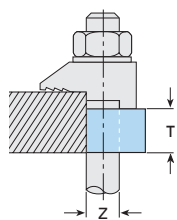
Type CW



Mild steel, zinc plated / hot dip galv.

Product Code	Bolt Size Z	Dimension T (mm)
CW12	M12	2.5
CW16	M16	3
CW20	M20	4

Type P1 short / Type P2 short



Mild steel, malleable iron, zinc plated / hot dip galv.

Product Code	Bolt Size Z	Dimension T (mm)
P1S12	M12	6
P1S16	M16	8
P1S20	M20	10
P2S12	M12	12
P2S16	M16	16
P2S20	M20	20

Packing Combinations for Type BR

(For rails up to and including 8° slope)

➤ For thicker flanges please contact Lindapter.

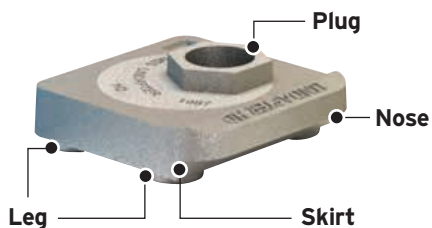
Flange Thickness	M12				M16				M20			
	BR	CW	P1S	P2S	BR	CW	P1S	P2S	BR	CW	P1S	P2S
5	S	-	-	-	-	-	-	-	-	-	-	-
6	M	-	-	-	S	-	-	-	-	-	-	-
7	S	1	-	-	S	-	-	-	S	-	-	-
8	M	1	-	-	M	-	-	-	S	-	-	-
9	S	2	-	-	S	1	-	-	S	-	-	-
10	S	2	-	-	S	1	-	-	M	-	-	-
11	M	2	-	-	M	1	-	-	S	1	-	-
12	M	-	1	-	S	2	-	-	S	1	-	-
13	S	1	1	-	S	2	-	-	S	1	-	-
14	M	1	1	-	S	-	1	-	M	1	-	-
15	S	2	1	-	S	-	1	-	S	2	-	-
16	S	2	1	-	M	-	1	-	S	2	-	-
17	M	2	1	-	S	1	1	-	S	-	1	-
18	M	2	1	-	S	1	1	-	M	2	-	-
19	S	1	-	1	M	1	1	-	S	3	-	-
20	M	1	-	1	S	2	1	-	M	-	1	-
21	M	1	-	1	S	2	1	-	M	-	1	-
22	S	-	1	1	S	-	-	1	M	3	-	-
23	M	2	-	1	M	-	-	1	M	3	-	-
24	M	-	1	1	M	-	-	1	M	1	1	-
25	S	1	1	1	S	1	-	1	S	2	1	-
26	M	1	1	1	S	1	-	1	S	2	1	-
27	S	2	1	1	M	1	-	1	S	-	-	1
28	S	-	-	2	S	2	-	1	M	2	1	-
29	S	-	-	2	S	2	-	1	M	2	1	-
30	M	-	-	2	M	2	-	1	M	-	-	1
31	S	1	-	2	M	2	-	1	S	1	-	1

S = BR short M = BR medium CW = Type CW P1S = P1 short P2S = P2 short

Type HD

This convenient fixing provides lateral adjustability for fast and precise rail alignment in low speed applications.

Type HD Hard / Soft Clip



Type HD Spring Clip



- Suitable for all rails with tapered flanges and crane speeds up to 60m/min.
- Safely and easily secures rail using only hand tools.

- Please contact Lindapter for wheel loads above 400kN or lateral loads higher than wheel loads.
- Can be supplied with a nylon insulator, please contact Lindapter to ensure suitability of component for application.

Material: SG iron, corrosion protection as requested.

Product Code	Clip Type	Bolt 8.8 Z	Normal Lateral Conditions		High Lateral Conditions		Leg V	Stud Length H	Dimensions		Distances ¹⁾		Width W
			SWL (FOS 4:1)	Tight. Torque	SWL (FOS 4:1)	Tight. Torque			Lateral Adjust. L	Plate Width min A	Y	X	
HD20H	Hard	M20	22.5	185	46.0	450	F - 8	F + 38	+/- 11.5	B + 137	30	27	74
HD20S	Soft	M20	22.5	185	46.0	450	F - 5	F + 40	+/- 11.5	B + 137	30	27	74
HD20SP	Spring	M20	22.5	185	46.0	450	F - 7	F + 40	+/- 11.5	B + 137	30	27	74
HD20S-P	Soft + Pad	M20	22.5	185	46.0	450	F ²⁾	F + 45	+/- 11.5	B + 137	30	27	74
HD20SP-P	Spring + Pad	M20	22.5	185	46.0	450	F - 2 ²⁾	F + 45	+/- 11.5	B + 137	30	27	74
HD24H	Hard	M24	40.0	320	60.0	760	F - 8	F + 41	+/- 8	B + 130	30	27	74
HD24S	Soft	M24	40.0	320	60.0	760	F - 4	F + 43	+/- 8	B + 130	30	27	74
HD24SP	Spring	M24	40.0	320	60.0	760	F - 7	F + 43	+/- 8	B + 130	30	27	74
HD24S-P	Soft + Pad	M24	40.0	320	60.0	760	F + 1 ²⁾	F + 48	+/- 8	B + 130	30	27	74
HD24SP-P	Spring + Pad	M24	40.0	320	60.0	760	F - 2 ²⁾	F + 48	+/- 8	B + 130	30	27	74

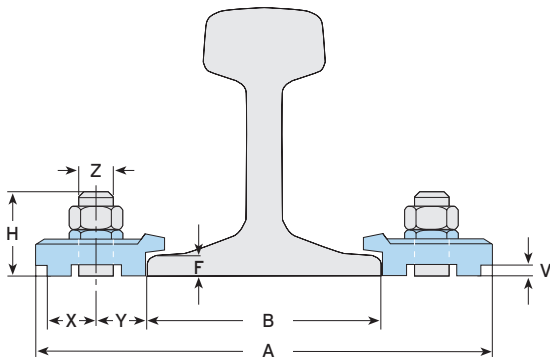
1) Based on plug set at 3 o'clock position.
2) Based on 5mm thick resilient pad.

Note: Leg length V for use with rail sections only with tapered base. For parallel sections please refer to Lindapter.

Type HD Variants

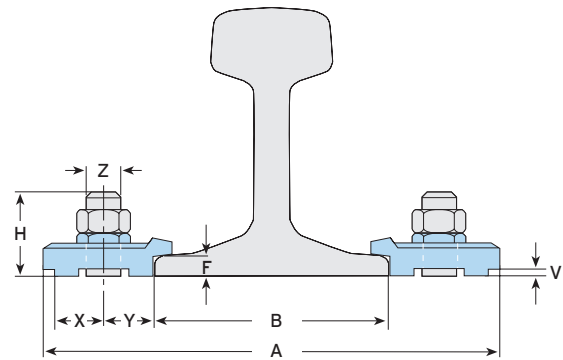
Type HD Soft Clip

Leg length (V) should be selected to allow vertical rail movement caused by rail wave, whilst holding the rail in precise alignment laterally. Rail ends need to be fixed.



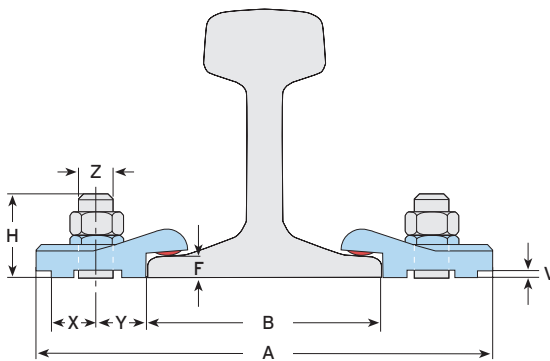
Type HD Hard Clip

Leg length (V) should be selected to clamp rail down tightly and allow no vertical rail movement. Not to be used when the rail is supported by a resilient pad.



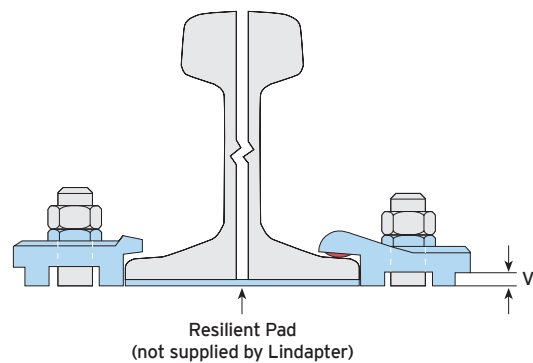
Type HD Spring Clip

This version incorporates an elastomer spring* into the nose of the product, designed to provide some vertical restraint to the rail whilst still allowing it to lift with rail wave.



Resilient Pad

Spring clip and soft clip can be used with a resilient pad to further decrease track running noise / structural vibration by levelling out the irregular contact between the surface and the rail and to spread the wheel load evenly over a wider area.

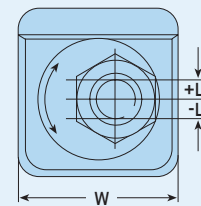
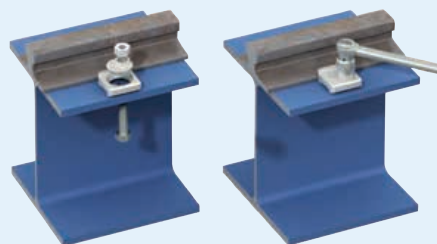


* Manufactured from high density synthetic polymer with a Shore A hardness of 90-97, the elastomer spring has a high resistance to abrasion and is unaffected by salt water and most chemicals.

How to install...

- 1) Position clip on the bolt or stud. Place plug in the 3 o'clock position and loosely tighten the nut.
- 2) Rotate the built-in nut profile in a clockwise direction from the 3 o'clock position to locate the clip against the rail. Laterally adjust rail if required and apply recommended torque to the hexagon nut.

▶ Watch the installation video at www.Lindapter.com



The nut shown above is in the 3 o'clock position.



The versatile Type ALP not only provides lateral adjustability, it also adjusts to suit different beam sizes and the orientation of the lift (see page 36).

Lifting Points

pages 34 - 37

Lindapter's lifting points are used in a variety of industries to support the lifting and rigging of heavy equipment. Applications vary from suspending overhead audio-visual kit in theatres to lifting drilling risers onto offshore oil platforms.

Type ALP (Standard)

page 36



Type LP (Bespoke)

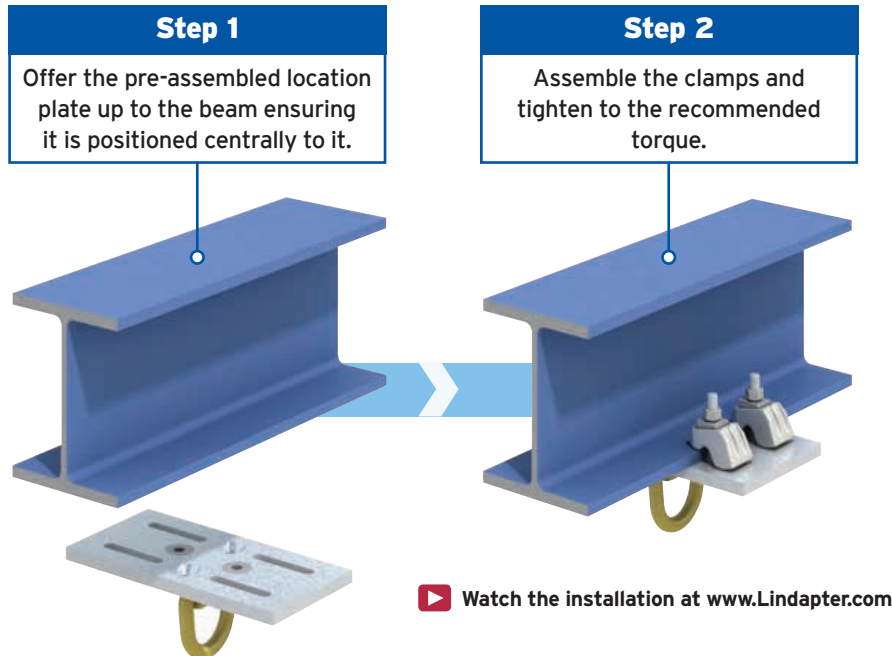
page 37



Lifting Point Configuration

Lindapter manufactures Lifting Points that are configured with adjustable, high strength components to suit heavy loads up to 200kN SWL. Take advantage of the Free Connection Design service for advice on the best solution for your connection.

Quick and easy to install



6 REASONS TO USE

- 1) Quick and easy to install using standard hand tools.
- 2) Easy to align / reposition.
- 3) Maximum safe working load up to 200kN (Type LP).
- 4) For parallel and tapered flanges up to 10°.
- 5) Utilises Lindapter clamps approved by TÜV.
- 6) Free Connection Design service available.

Email support@Lindapter.com your connection details and Lindapter's experienced Engineers will do the rest!

STANDARD

Type ALP

Ideal for most applications up to 3t (29.4kN), this assembly self-adjusts to suit a range of flange thicknesses. For further convenience, the slotted holes in the location plate allow the clamp to adapt to different beam widths, often allowing contractors to use just one type of lifting point throughout a project. Lindapter's standard lifting point is immediately available off-the-shelf.

See the Type ALP and its components in more detail on [page 36](#).

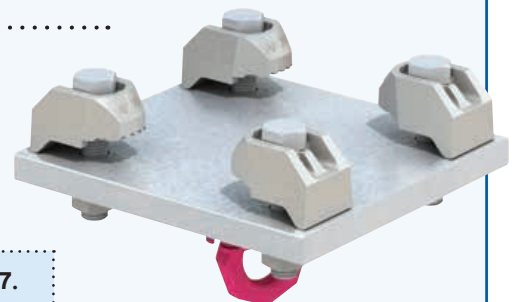


BESPOKE

Type LP

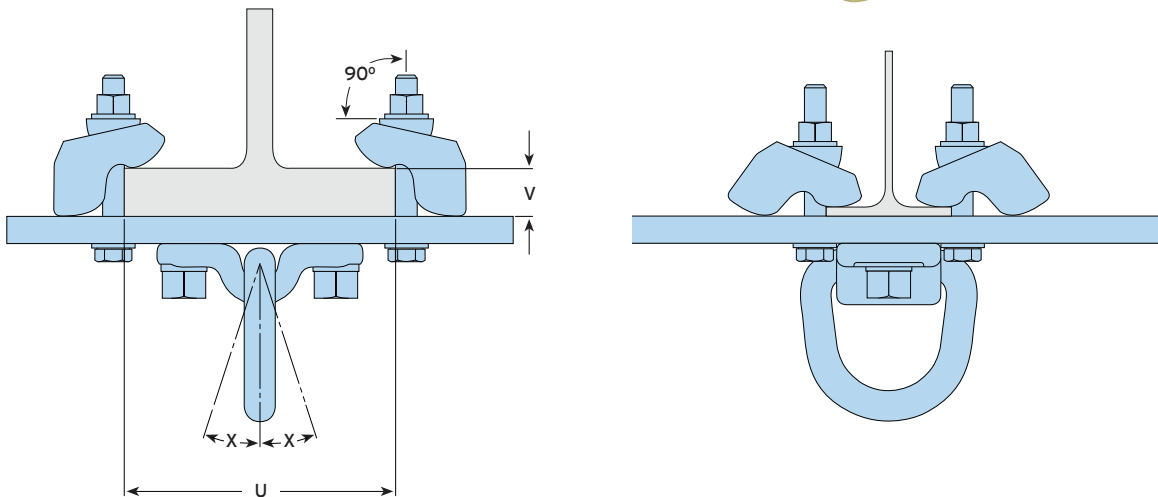
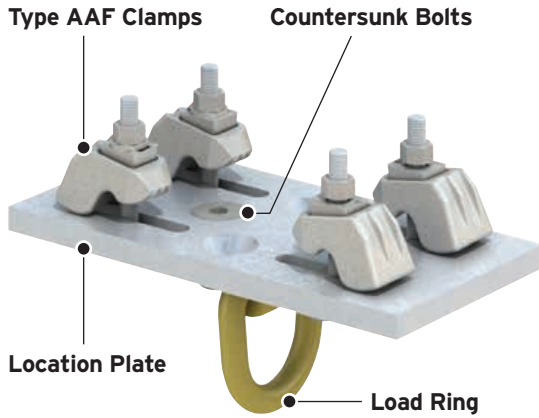
For large steel sections or loads up to 200kN, Lindapter manufactures custom-made solutions for specific application requirements. Whatever the application, Lindapter's durable products are valued for their quality and reliability, and provide contractors with a safe, quick and convenient lifting system.

See the Type LP and its components in more detail on [page 37](#).



Type ALP

Lindapter's standard rigging and lifting solution adjusts to suit the beam width, flange thickness and orientation of the lift. Safely supports loads up to three metric tonnes.



- Available 'off-the-shelf' with a safe working load up to 3t (29.4kN).
- Large load ring can be set to suit the lift orientation.
- Adjusts to suit the 5mm to 26mm flange thickness and 70mm to 210mm beam widths.
- Suitable for parallel and tapered beams up to 10°.

- Ensure that the supporting steelwork is suitable for the applied load.
- For larger steel sections or heavier loads, please refer to the Type LP (page 37), Lindapter's bespoke Lifting Points manufactured to suit individual applications.

Material: Type AAF clamps (low temperature SG iron, hot dip galvanised), Location Plate (mild steel, hot dip galvanised) and Load Ring (forged steel, painted).

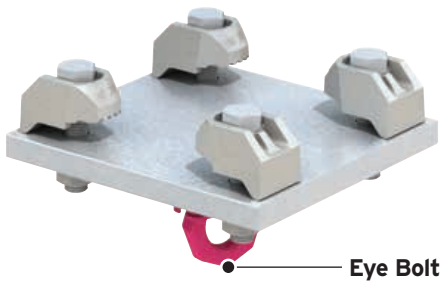
Product Code	Torque Figures				Clamping Range		Safe Working Loads (4:1 Factor of Safety)	Max. angle of load X
	Load Ring Countersunk Bolts		Type AAF Bolts		Flange Thickness V mm	Beam Width U mm		
	Bolt 10.9	Torque Nm	Bolt 8.8	Torque Nm				
ALP 3T-1	M16	100	M12	90	5 - 26	70 - 210	3t (29.4kN)	18°

Type LP

Utilising Lindapter's high strength Type AF clamps for heavy loads, the Type LP is available in bespoke configurations up to 200kN SWL.

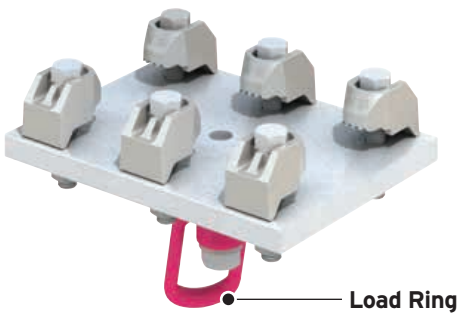
LP4 (4kN to 45kN SWL)

Lifting Point with 4 Type AF clamps



LP6 (10kN to 100kN SWL)

Lifting Point with 6 Type AF clamps



- The Type LP can be supplied with either an Eye Bolt or Load Ring. Please state your requirement when ordering.

Bespoke solutions up to 200kN are also available.

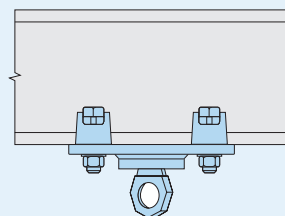
200kN

Bespoke Configurations

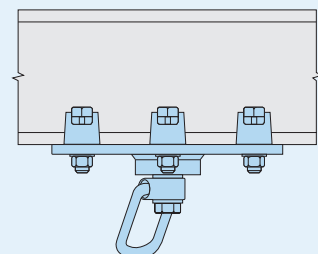
Lindapter manufactures customised Lifting Points to meet individual requirements, two examples are shown on the right. These bespoke connections are designed to specific application requirements, such as vertical loads, loads at an angle and rotation of up to 360°. The product designation, i.e. LP(#) determines the number of Type AF clamps.

For example, the LP6 has six M24 Type AF clamps to create a Safe Working Load of 100kN (4:1 Factor of Safety). Provide details of the loading, rotation, angle and beam dimensions and Lindapter's team of Engineers will design a connection solution to suit your needs.

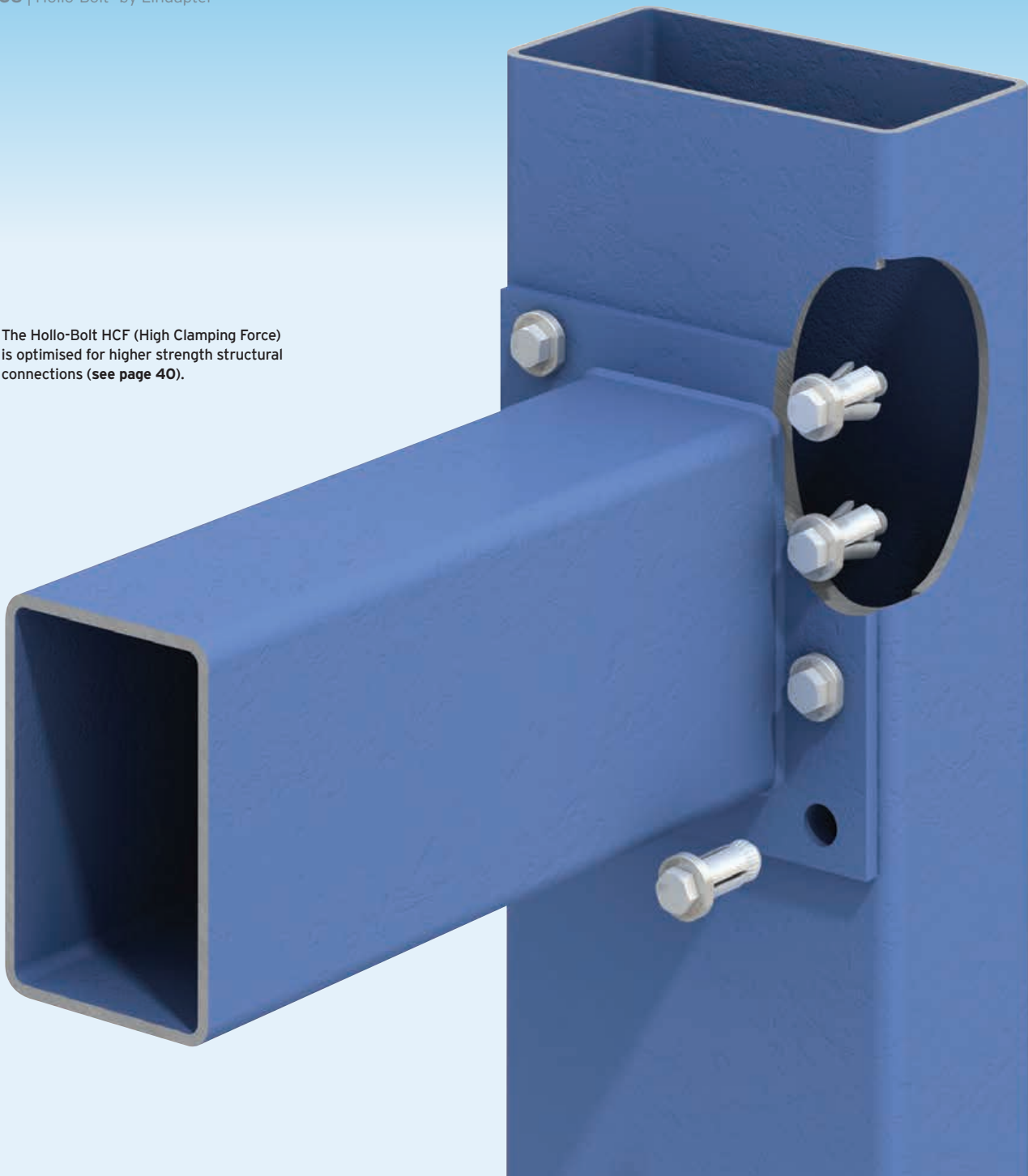
Type LP4 (with Eye Bolt)



Type LP6 (with Load Ring)



The Hollo-Bolt HCF (High Clamping Force) is optimised for higher strength structural connections (see page 40).



Hollo-Bolt®

pages 38 - 47

Lindapter's expansion bolts require access to only one side of the Structural Hollow Section (SHS), and offer a faster alternative to welding or through-bolting, enabling contractors to reduce construction time and labour costs.

The Hollo-Bolt is independently approved for primary structural connections (see pages 39-44). The Lindibolt is ideal for applications in standard clearance holes (page 45).

Hollo-Bolt®
pages 39 - 44



Lindibolt®
page 45

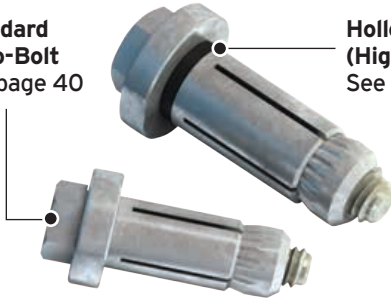


Hollo-Bolt® by Lindapter®

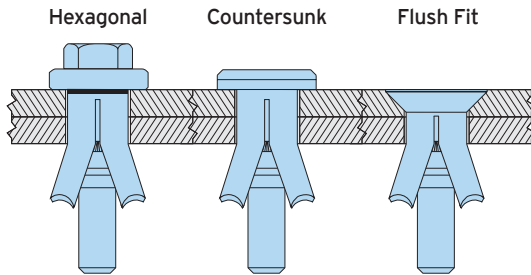
Installation is quickly carried out by inserting into pre-drilled steelwork and tightening with a torque wrench. Independent approvals include CE Mark, DIBt, TÜV and ICC-ES seismic accreditation.



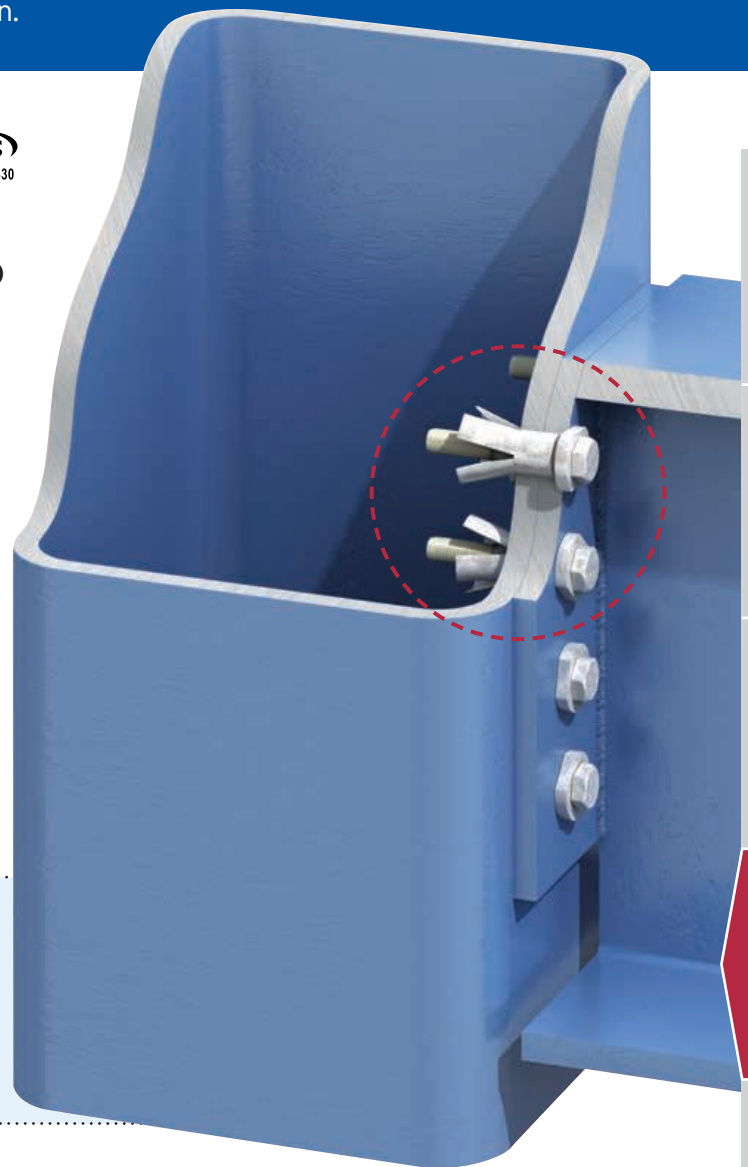
Standard Hollo-Bolt
See page 40



Hollo-Bolt HCF (High Clamping Force)
See pages 40 and 41



- Fast, cost saving installation from one side.
- For square, rectangular and circular hollow sections.
- High resistance to shear and tension.
- Patented High Clamping Force design.
- A range of head types for architectural finishes.
- CE Mark, DIBt, TÜV and ICC-ES Seismic approvals.



Hollo-Bolt head variant comparison

Head variants	Sizes					Corrosion protection			
	M8	M10	M12	M16 HCF*	M20 HCF*	JS500	Hot Dip Galv.	Sheraplex	Stainless Steel
Hexagonal Normal visible protrusion	✓	✓	✓	✓	✓	✓	✓	✓	✓
Countersunk Minimal visible protrusion	✓	✓	✓	✓	-	✓	-	✓	✓
Flush Fit Zero visible protrusion	✓	✓	✓	-	-	✓	-	✓	✓

Lindapter can also manufacture customised products for specific connection requirements, e.g. security / button head and special sizes.



* Sizes M16 and M20, known as the Hollo-Bolt (HCF), feature a High Clamping Force mechanism to produce three times more clamping force than the same sized product without the mechanism. Turn to **pages 40 and 41** to see the significance of clamping force and the superior performance of this unique product.

Hollo-Bolt High Clamping Force

Lindapter Hollo-Bolts are available in two versions; the original standard design for general hollow section connections and larger sized High Clamping Force (HCF) for higher strength structural connections.

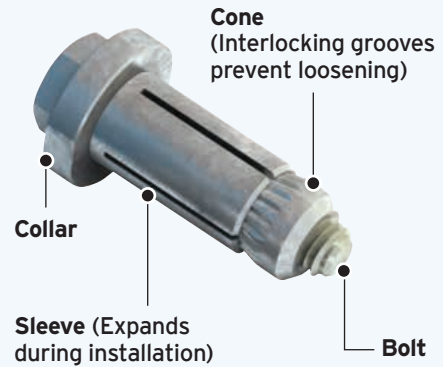
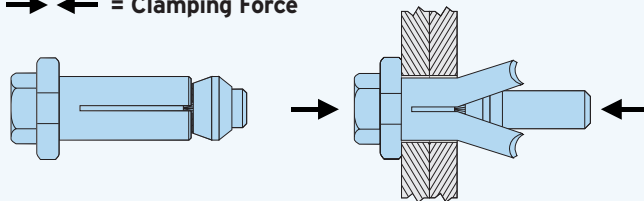
SIZES M8, M10 AND M12

Standard Hollo-Bolt

A typical connection is made by inserting the Hollo-Bolt into the pre-drilled holes of the fixture and hollow section. As the bolt head is tightened, the cone is pulled up the bolt thread, causing the sleeve to expand until the cone locks the sleeve against the hollow section's inner wall.

At full tightening torque, a clamping force is established between the fixture and the steel section to form a secure connection. Once installed, only the head and collar are visible.

→ ← = Clamping Force



See how to install the Hollo-Bolt on page 44 or watch the video at www.Lindapter.com



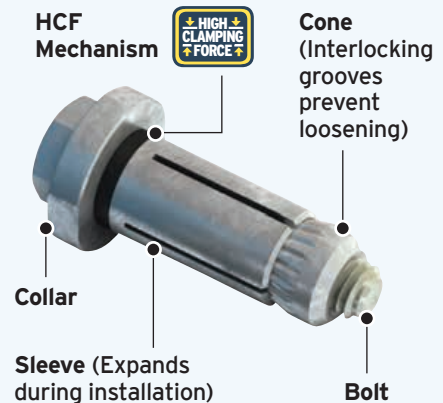
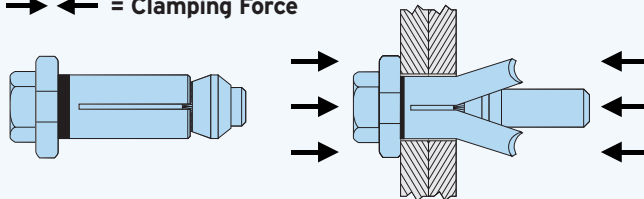
SIZES M16 AND M20

Hollo-Bolt HCF

By working closely with Structural Engineers and Steel Fabricators, Lindapter identified the need for the larger M16 and M20 Hollo-Bolts to have an increased clamping force suitable for higher strength structural connections. This led to Lindapter's invention of the High Clamping Force (HCF) design, optimised for superior performance.

The HCF mechanism consists of a special rubber washer that compresses during installation to significantly increase the clamping force between the connecting steelwork, when compared to a product of the same size without the mechanism, thereby reducing displacement.

→ ← = Clamping Force



See how to install the Hollo-Bolt on page 44 or watch the video at www.Lindapter.com



GIRDER CLAMPS
RAIL FIXINGS
LIFTING POINTS
HOLLO-BOLT
FLOOR FIXINGS
SUPPORT FIXINGS
DECKING FIXINGS

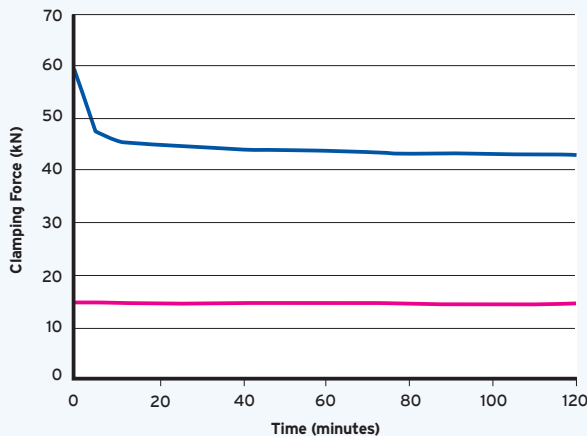
Hollo-Bolt Clamping Force

Hollo-Bolts are optimised for structural connections and the larger M16 and M20 sizes feature a High Clamping Force (HCF) mechanism. The graphs below compare the performance of a Hollo-Bolt HCF and an expansion bolt of the same size without the mechanism.

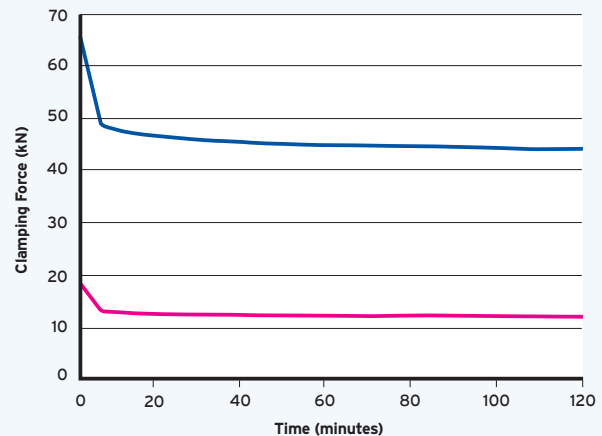
Clamping Force Typical Performance Increase



M16: Up to 3 times more clamping force

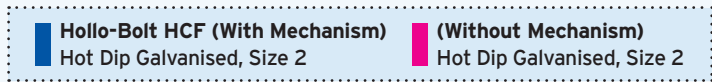


M20: Up to 3.5 times more clamping force

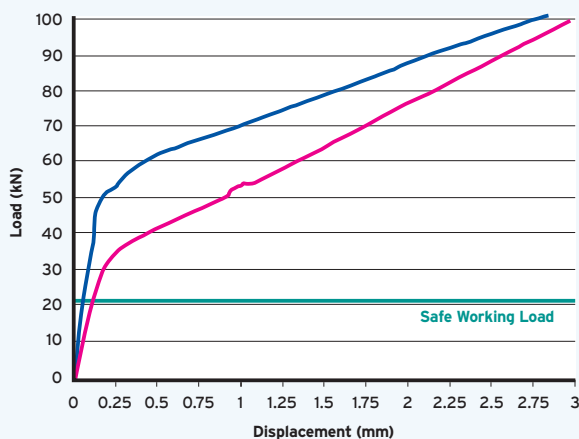


As with any structural bolt, immediately after installation the bolt relaxes until a typical clamping force is reached. The typical clamping force of the Hollo-Bolt (HCF) is over **three times higher** than the same sized product without the HCF mechanism. This results in a more secure connection and a greater force that has to be overcome before displacement begins.

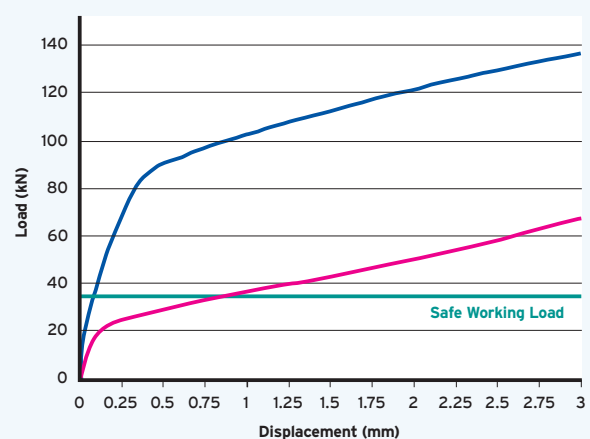
Displacement Typical Performance Increase



M16: Connection Load vs Ply Displacement



M20: Connection Load vs Ply Displacement



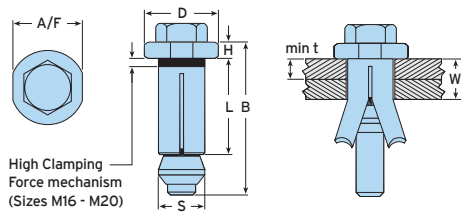
The graphs above show the significance of increased clamping force. The blue curve demonstrates the superior performance of the Hollo-Bolt HCF in contrast to M16 and M20 sized products without Lindapter's patented mechanism. At Safe Working Load, displacement (movement in the connection) is minimised when using the Hollo-Bolt HCF for a safer and more secure connection.

➤ Graphs for illustration purposes only, see page 42 and 43 for connection design.

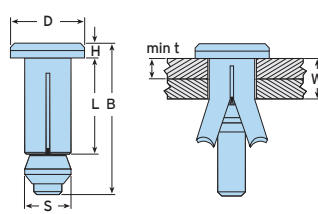
Hollo-Bolt Safe Working Loads

The Hollo-Bolt is featured in the BCSA and SCI design guide 'Joints in Steel Construction - Simple Connections', please refer to this guide for designing primary structural connections. For connections to secondary steelwork, please refer to the tables below.

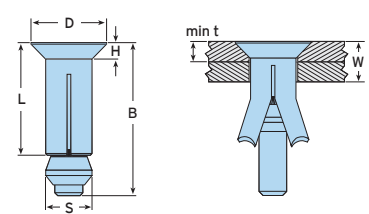
a) Hexagonal



b) Countersunk



c) Flush Fit



Product Code	a) Hexagonal		b) Countersunk		Clamping Thickness W mm	Outer Ply min t mm	Sleeve		Collar			Tightening Torque Nm	Safe Working Loads (5:1 Factor of Safety)	
	Bolt Length B mm	Product Code	Bolt Length B mm	Product Code			Length L mm	Outer Ø S mm	Height H mm	Ø D mm	A/F mm		Tensile kN	Single Shear kN
HB08-1	M8 x 50	HBCSK08-1	M8 x 50	HBCSK08-1	3 - 22	-	30	13.75	5	22	19	23	4.0	5.0
HB08-2	M8 x 70	HBCSK08-2	M8 x 70	HBCSK08-2	22 - 41	-	49	13.75	5	22	19	23	4.0	5.0
HB08-3	M8 x 90	HBCSK08-3	M8 x 90	HBCSK08-3	41 - 60	-	68	13.75	5	22	19	23	4.0	5.0
HB10-1	M10 x 55	HBCSK10-1	M10 x 50	HBCSK10-1	3 - 22	-	30	17.75	6	29	24	45	8.5	10.0
HB10-2	M10 x 70	HBCSK10-2	M10 x 70	HBCSK10-2	22 - 41	-	48	17.75	6	29	24	45	8.5	10.0
HB10-3	M10 x 90	HBCSK10-3	M10 x 90	HBCSK10-3	41 - 60	-	67	17.75	6	29	24	45	8.5	10.0
HB12-1	M12 x 60	HBCSK12-1	M12 x 55	HBCSK12-1	3 - 25	-	35	19.75	7	32	30	80	10.5	15.0
HB12-2	M12 x 80	HBCSK12-2	M12 x 80	HBCSK12-2	25 - 47	-	57	19.75	7	32	30	80	10.5	15.0
HB12-3	M12 x 100	HBCSK12-3	M12 x 100	HBCSK12-3	47 - 69	-	79	19.75	7	32	30	80	10.5	15.0
HB16-1	M16 x 75	HBCSK16-1	M16 x 70	HBCSK16-1	12 - 29	8	41.5	25.75	8	38	36	190	21.0	30.0
HB16-2	M16 x 100	HBCSK16-2	M16 x 100	HBCSK16-2	29 - 50	8	63	25.75	8	38	36	190	21.0	30.0
HB16-3	M16 x 120	HBCSK16-3	M16 x 120	HBCSK16-3	50 - 71	8	84	25.75	8	38	36	190	21.0	30.0
HB20-1	M20 x 90	-	-	-	12 - 34	8	50	32.75	10	51	46	300	35.0	40.0
HB20-2	M20 x 120	-	-	-	34 - 60	8	76	32.75	10	51	46	300	35.0	40.0
HB20-3	M20 x 150	-	-	-	60 - 86	8	102	32.75	10	51	46	300	35.0	40.0



Sizes M16 and M20, known as the Hollo-Bolt (HCF), feature a High Clamping Force mechanism to produce three times more clamping force than the same sized product without the mechanism. Turn to pages 40 and 41 to see the significance of clamping force and the superior performance of this unique product.

Product Code	c) Flush Fit		Clamping Thickness W mm	Outer Ply min t mm	Sleeve		Collar			Tightening Torque Nm	Safe Working Loads (5:1 Factor of Safety)	
	Countersunk Bolt B mm	Product Code			Length L mm	Outer Ø S mm	Height H mm	Ø D mm	Installation Nut A/F mm		Tensile kN	Single Shear kN
HBFF08-1	M8 x 50	HBCSK08-1	10 - 27	8	35	13.75	5	24	19	23	4.0	5.0
HBFF08-2	M8 x 70	HBCSK08-2	27 - 45	8	54	13.75	5	24	19	23	4.0	5.0
HBFF08-3	M8 x 90	HBCSK08-3	45 - 64	8	73	13.75	5	24	19	23	4.0	5.0
HBFF10-1	M10 x 50	HBCSK10-1	12 - 27	10	36	17.75	6	30	24	45	8.5	10.0
HBFF10-2	M10 x 70	HBCSK10-2	27 - 45	10	54	17.75	6	30	24	45	8.5	10.0
HBFF10-3	M10 x 90	HBCSK10-3	45 - 64	10	73	17.75	6	30	24	45	8.5	10.0
HBFF12-1	M12 x 55	HBCSK12-1	12 - 30	10	42	19.75	7	33	30	80	10.5	15.0
HBFF12-2	M12 x 80	HBCSK12-2	30 - 52	10	64	19.75	7	33	30	80	10.5	15.0
HBFF12-3	M12 x 100	HBCSK12-3	52 - 74	10	86	19.75	7	33	30	80	10.5	15.0

Hollo-Bolts can be used on a wide variety of steel hollow shape sections. Safe working loads shown are based on use in S275 structural hollow section and are applicable to the Hollo-Bolt only in both tension and shear. Failure of the section, particularly on those with thin walls and a wide chord face, could occur at a lower figure and its strength should be checked by a qualified Structural Engineer.

Published by the SCI/BCSA Connections Group, 'Joints in Steel Construction - Simple Connections' provides design guidance for using Hollo-Bolt and structural steelwork connections in buildings designed using the 'Simple Method' i.e. braced frames where connections carry mainly shear and axial loads only. For more information please contact The Steel Construction Institute on +44 (0) 1344 636525 or visit www.steel-sci.com



GIRDER CLAMPS
RAIL FIXINGS
LIFTING POINTS
HOLLO-BOLT
FLOOR FIXINGS
SUPPORT FIXINGS
DECKING FIXINGS

Hollo-Bolt Characteristic Values

The values listed in the tables below (taken from ETA-10/0416) are to be used when designing bolted connections to Eurocode 3 only, they are **not** standard safe working loads. Download the Declaration of Performance (DoP) at www.Lindapter.com/About/CE



Hollo-Bolt Hexagonal

	Product Code	Nominal Size	Tensile $F_{t,Rk}$ kN	Shear $F_{v,Rk}$ kN	Sleeve Material Strength N/mm ²
	HB08	M8	23.1	32.9	430
	HB10	M10	39.6	54.2	430
	HB12	M12	45.8	71.0	430
HCF	HB16	M16	84.3	139.0	430
HCF	HB20	M20	124.0	211.0	390

Hollo-Bolt Hexagonal Stainless Steel

	Product Code	Nominal Size	Tensile $F_{t,Rk}$ kN	Shear $F_{v,Rk}$ kN	Sleeve Material Strength N/mm ²
	HBST08	M8	26.8	30.7	500
	HBST10	M10	46.0	51.0	500
	HBST12	M12	53.3	65.0	500
HCF	HBST16	M16	98.0	128.0	500
HCF	HBST20	M20	154.0	205.0	500

Hollo-Bolt Countersunk

	Product Code	Nominal Size	Tensile $F_{t,Rk}$ kN	Shear $F_{v,Rk}$ kN	Sleeve Material Strength N/mm ²
	HBCSK08	M8	23.1	32.9	430
	HBCSK10	M10	39.6	54.2	430
	HBCSK12	M12	45.8	71.0	430
HCF	HBCSK16	M16	84.3	139.0	430

Hollo-Bolt Countersunk Stainless Steel

	Product Code	Nominal Size	Tensile $F_{t,Rk}$ kN	Shear $F_{v,Rk}$ kN	Sleeve Material Strength N/mm ²
	HBSTCSK08	M8	26.8	30.7	500
	HBSTCSK10	M10	46.0	51.0	500
	HBSTCSK12	M12	53.3	65.0	500
HCF	HBSTCSK16	M16	98.0	128.0	500



Sizes M16 and M20, known as the Hollo-Bolt (HCF), feature a High Clamping Force mechanism to produce three times more clamping force than the same sized product without the mechanism. Turn to **pages 40 and 41** to see the significance of clamping force and the superior performance of this unique product.

Hollo-Bolt Flush Fit

	Product Code	Nominal Size	Tensile $F_{t,Rk}$ kN	Shear $F_{v,Rk}$ kN	Sleeve Material Strength N/mm ²
	HBFF08	M8	23.1	32.9	430
	HBFF10	M10	39.6	54.2	430
	HBFF12	M12	45.8	71.0	430

Hollo-Bolt Flush Fit Stainless Steel

	Product Code	Nominal Size	Tensile $F_{t,Rk}$ kN	Shear $F_{v,Rk}$ kN	Sleeve Material Strength N/mm ²
	HBSTFF08	M8	26.8	30.7	500
	HBSTFF10	M10	46.0	51.0	500
	HBSTFF12	M12	53.3	65.0	500

Hollo-Bolt lengths 1, 2 and 3 are covered by ETA 10/0416. The characteristic values are used to determine the design resistance of the Hollo-Bolt. The design resistance is calculated by dividing the characteristic value by a partial factor γ_{m2} . The partial factor is a nationally determined parameter (eg: $\gamma_{m2} = 1.25$ in UK).

For Hollo-Bolt safe working loads with a Factor of Safety of 5:1 please refer to the tables on **page 42** of this catalogue. The characteristic values are valid for the assembly itself, in any connection detail the design resistance of the connection may be limited to a lesser value. For example, when the thickness of the connected component is small, pull out failure may occur before failure of the Hollo-Bolt. Design checks should be carried out to determine the static design resistance.

The SCI Greenbook publication 'Joints in Steel Construction: Simple Joints to Eurocode 3' contains a number of checks on the section. The characteristic values are only valid when the Hollo-Bolts are installed as per Lindapter's installation instructions. For more information please contact The Steel Construction Institute on +44 (0) 1344 636525 or visit www.steel-sci.com

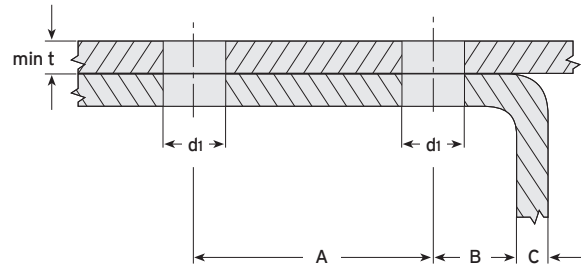


Hollo-Bolt Preparation and Installation

Please ensure that the holes are drilled into both the fixture and the section according to the drilling guidance below. Please note that the holes are slightly larger than standard bolt clearance holes to accommodate the sleeve and cone.

Hexagonal and Countersunk

Type		Outer Ply min t mm	Clearance Hole Ø d1 mm	Hole Distances		Edge Distances B + C mm
Hex	Countersunk			min A mm	min B mm	
HB08	HBCSK08	-	14 (+1.0/-0.2)	35	13	> 17.5
HB10	HBCSK10	-	18 (+1.0/-0.2)	40	15	> 22.5
HB12	HBCSK12	-	20 (+1.0/-0.2)	50	18	> 25.0
HB16	HBCSK16	8	26 (+2.0/-0.2)	55	20	> 32.5
HB20	-	8	33 (+2.0/-0.2)	70	25	> 33.0



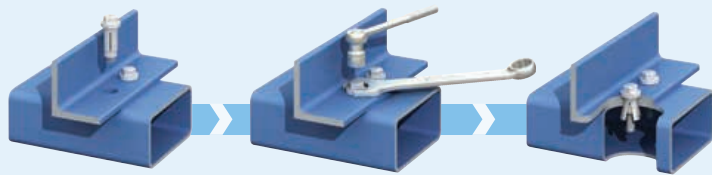
► Sizes M16 and M20 require outer ply thickness (min t) to be at least 8mm.



How to install...

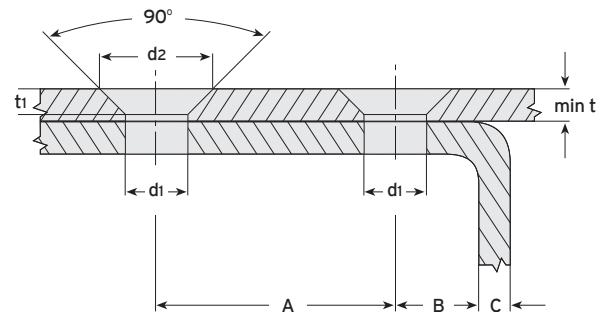
- 1) Align pre-drilled fixture and section then insert the Hollo-Bolt^{a)}.
- 2) Grip Hollo-Bolt collar with an open ended spanner.
- 3) Using a calibrated torque wrench, tighten the central bolt to the recommended torque^{b)}.

▶ Watch the Hollo-Bolt installation video at www.Lindapter.com



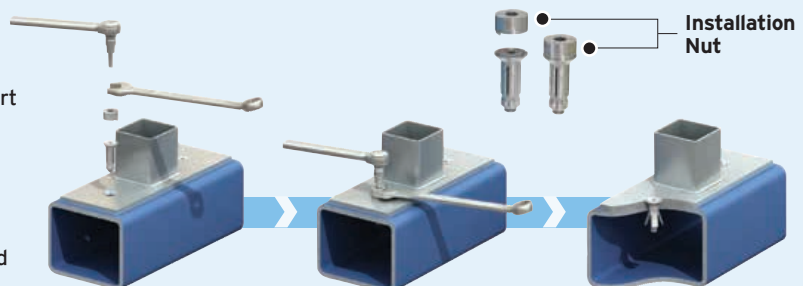
Flush Fit

Type	Outer Ply min t mm	Clearance Hole Ø d1 mm	Countersunk		Hole Distances		Edge Distances B + C mm
			d2 mm	t1 mm	min A mm	min B mm	
HBFF08	8	14 (+1.0/-0.2)	27	6.5	35	13	> 17.5
HBFF10	10	18 (+1.0/-0.2)	31	6.5	40	15	> 22.5
HBFF12	10	20 (+1.0/-0.2)	35	7.5	50	18	> 25.0



How to install...

- 1) Align pre-drilled fixture and section then insert the Hollo-Bolt^{a)}.
- 2) Apply the installation nut and grip with an open ended spanner.
- 3) Using a calibrated torque wrench, tighten the central countersunk bolt to the recommended torque^{b)}.



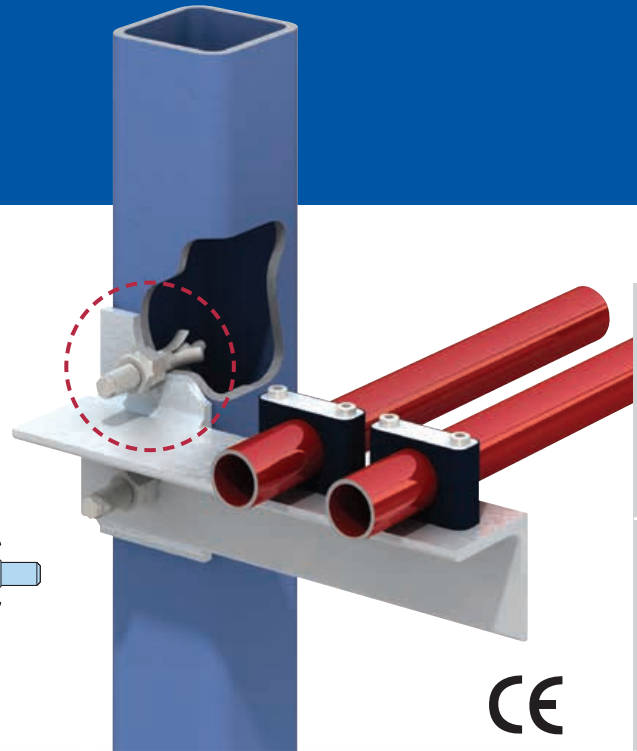
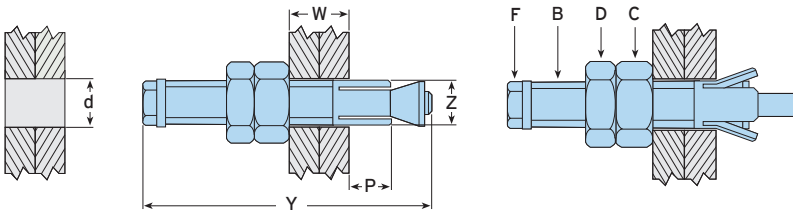
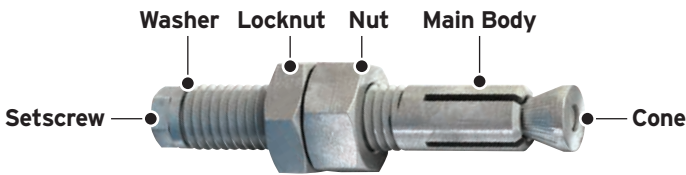
Notes:

- a) Before tightening, ensure that the materials that are to be connected together are touching. See page 42 for tightening torque.
 b) Power tools, such as an impact wrench, may be used to speed up the tightening of the Hollo-Bolt. However, when using power tools, always complete the tightening process with a calibrated torque wrench to ensure the correct torque is applied to the Hollo-Bolt.

GIRDER CLAMPS
RAIL FIXINGS
LIFTING POINTS
HOLLO-BOLT
FLOOR FIXINGS
SUPPORT FIXINGS
DECKING FIXINGS

Type LB2 - Lindibolt® 2

Self-heading bolt suitable for connecting steelwork to hollow sections where access is only available from one side. The Lindibolt uses a standard clearance hole.



Material: Steel, zinc plated. Stainless steel grade 316.

Code	Lindibolt		Hole Ø		Safe Working Loads (5:1 Factor of Safety)				Main Body (B) and Nut (C and D)			Setscrew (F)		
	Bolt Z	Length Y mm	min d mm	max d mm	Tensile kN	Single Shear kN	Clamping Length W mm	Projection P mm	Thread Z	Tight. torque Nm	A/F mm	Bolt F	Tight. torque Nm	A/F mm
LB10	M10	74	11	11.5	3.0	3.4	7 - 30	7.5 - 10	M10	20	17	M5	6	8
LB12	M12	85	13	13.5	5.0	5.0	10 - 36	9 - 12	M12	31	19	M6	11	10
LB16	M16	105	17	17.5	8.0	9.8	12 - 48	12 - 16	M16	81	24	M8	23	13
LB20	M20	128	21	21.5	14.0	15.2	14 - 60	15 - 20	M20	129	30	M10	45	17
LB24	M24	158	25	25.5	20.0	22.5	18 - 72	18 - 24	M24	203	36	M12	80	19

The safe working loads, in both tension and shear shown, are applicable to the Lindibolt only. Failure of the section, particularly on those with thin walls and a wide chord face, could occur at a lower figure and its strength should be checked by a qualified Structural Engineer.

Characteristic Values of Tensile and Shear Resistance

The values listed below (taken from ETA-11/0199) are to be used when designing bolted connections to Eurocode 3 only, they are not standard safe working loads. Visit www.Lindapter.com/About/CE for more.



Lindibolt

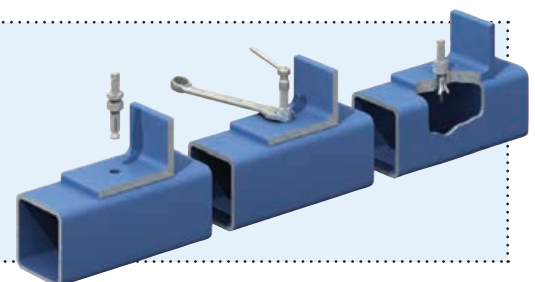
Product Code	Nominal Size	Tensile F _{t,Rk} kN	Shear F _{v,Rk} kN	Sleeve Material Strength N/mm ²
LB10	M10	12.0	14.8	380
LB12	M12	17.7	21.4	380
LB16	M16	34.5	40.6	380
LB20	M20	54.5	64.1	380
LB24	M24	79.1	93.2	380

Lindibolt Stainless Steel

Product Code	Nominal Size	Tensile F _{t,Rk} kN	Shear F _{v,Rk} kN	Sleeve Material Strength N/mm ²
LBST10	M10	15.8	13.7	500
LBST12	M12	23.2	19.9	500
LBST16	M16	45.4	38.0	500
LBST20	M20	71.7	60.1	500
LBST24	M24	104.1	87.3	500

How to install...

- 1) Set nut (C) at (W) plus projection (P) then tighten the locknut (D).
- 2) Align pre-drilled fixtures. Insert Lindibolt cone end first through both fixtures.
- 3) Hold nut (C) with a spanner and tighten the bolt (F). Loosen off the locknut (D) and tighten the nut (C). Secure by re-tightening the locknut (D).



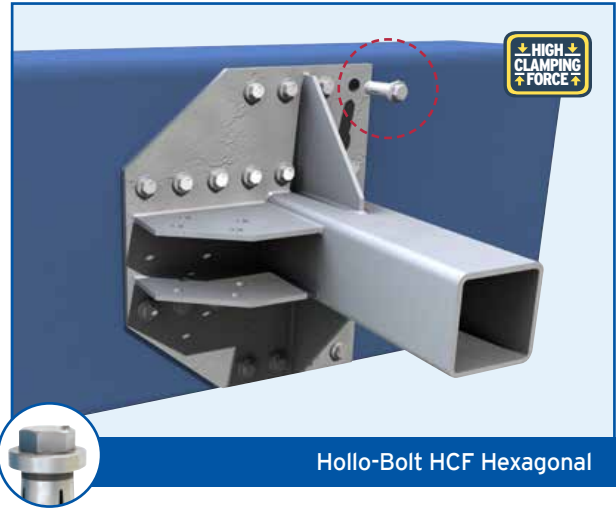
Typical Applications for Hollo-Bolt

The Hollo-Bolt is a versatile product that is used in a variety of applications, in a range of industries. Some popular connections are shown below, however these examples show only a few of the possibilities. Please contact Lindapter to discuss your connection requirement.

GIRDER CLAMPS

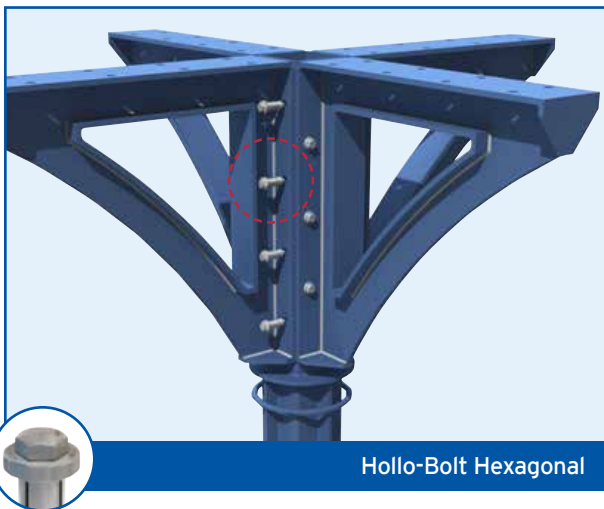


Hollo-Bolt HCF Hexagonal

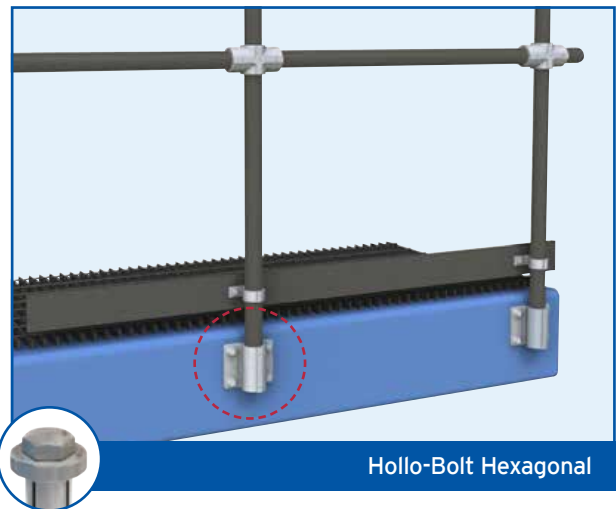


Hollo-Bolt HCF Hexagonal

RAIL FIXINGS



Hollo-Bolt Hexagonal



Hollo-Bolt Hexagonal

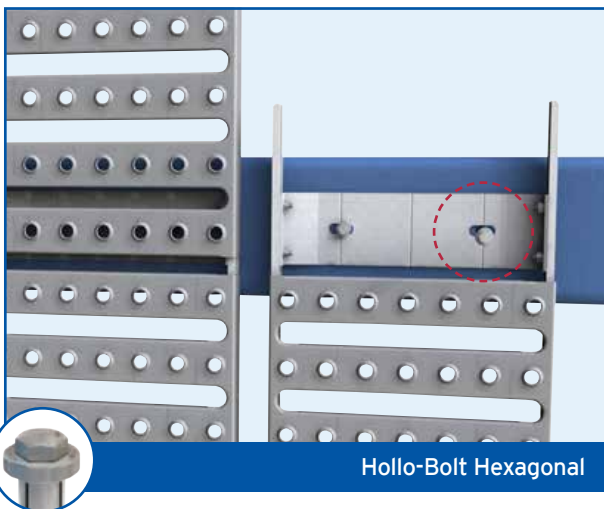
LIFTING POINTS

HOLLO-BOLT

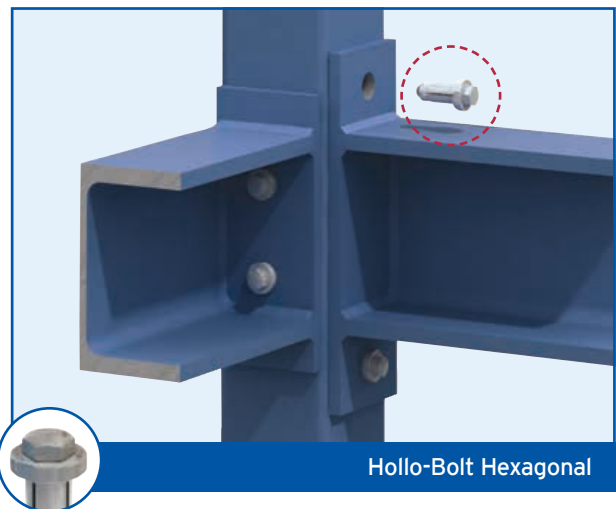
FLOOR FIXINGS

SUPPORT FIXINGS

DECKING FIXINGS



Hollo-Bolt Hexagonal



Hollo-Bolt Hexagonal

Typical Applications for Hollo-Bolt

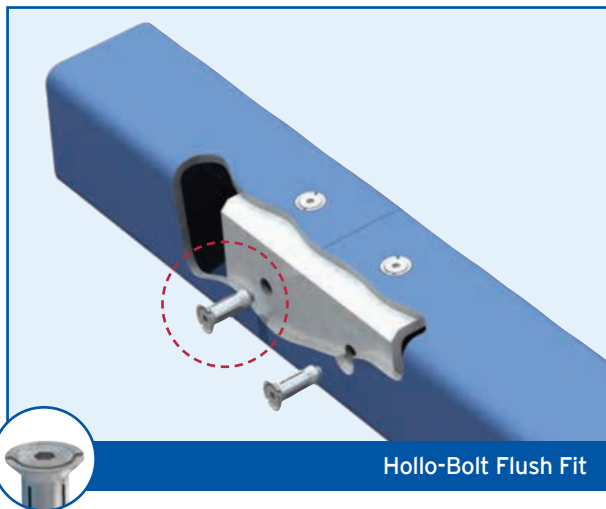
Examples of popular connection arrangements are continued below.



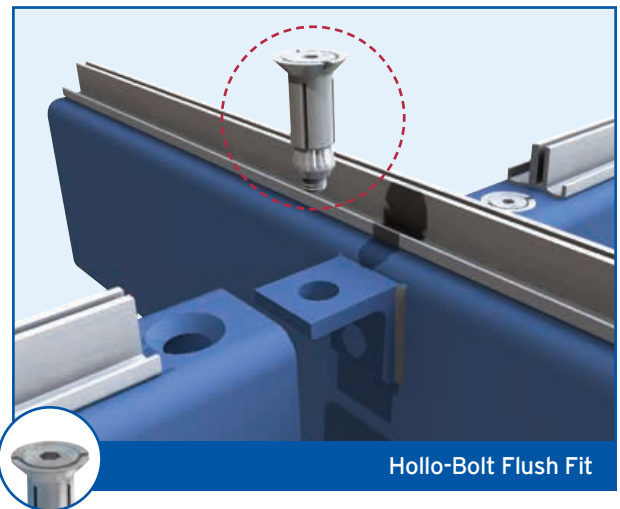
Hollo-Bolt Hex. + Countersunk



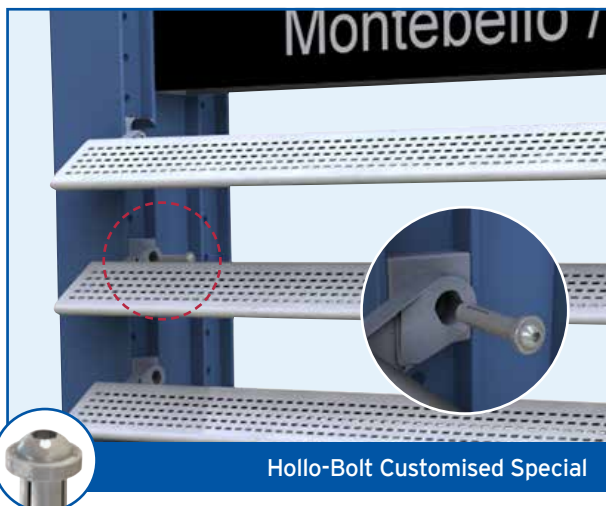
Hollo-Bolt Countersunk




Hollo-Bolt Flush Fit



Hollo-Bolt Flush Fit



Hollo-Bolt Customised Special




Hollo-Bolt®
by **lindapter**

**BROCHURE
AVAILABLE
NOW!**

For more information on the Hollo-Bolt, including a Global Project Portfolio and FAQs, request the Hollo-Bolt brochure today.

For a copy simply email enquiries@lindapter.com or download if for free from www.Lindapter.com



GIRDER CLAMPS

RAIL FIXINGS

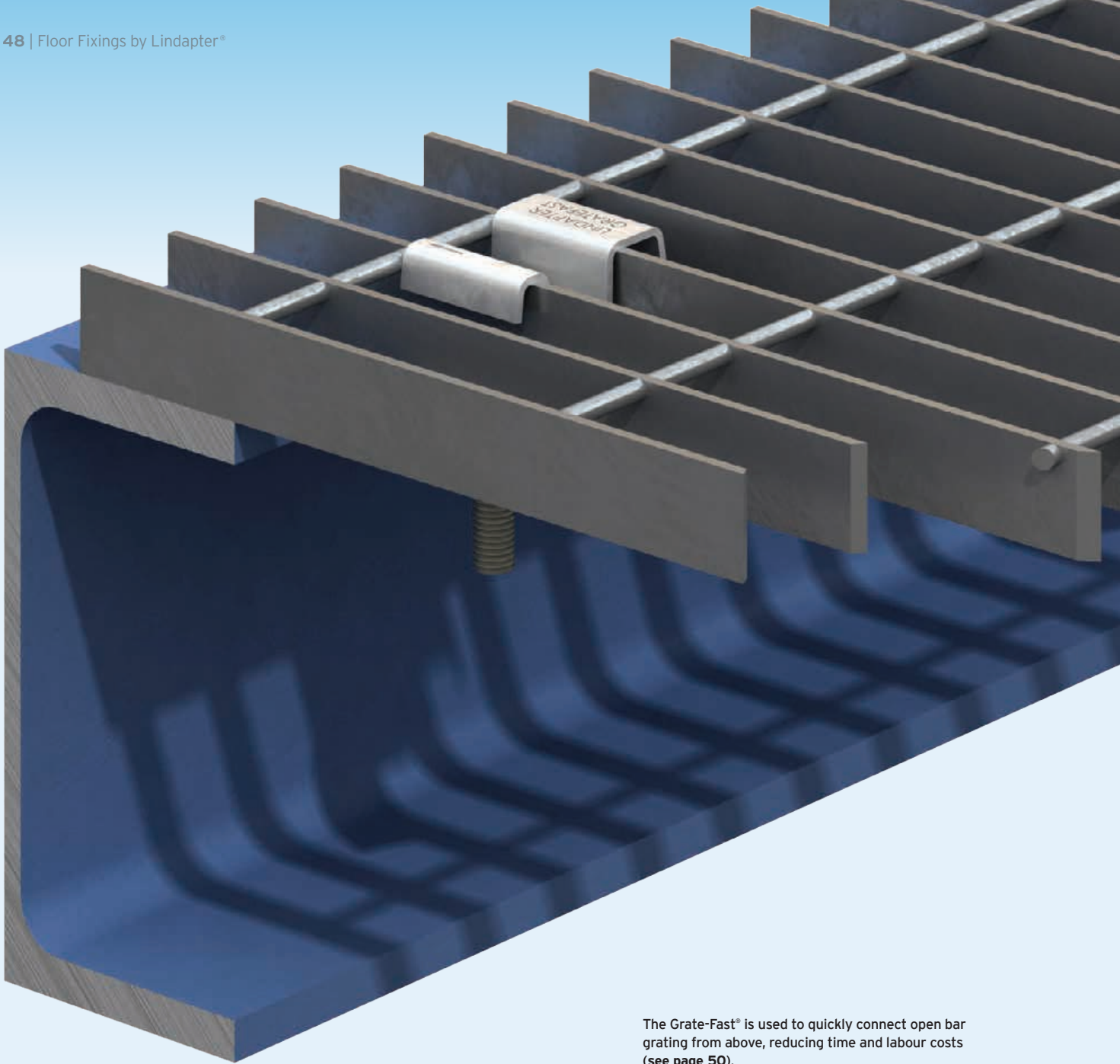
LIFTING POINTS

HOLLO-BOLT

FLOOR FIXINGS

SUPPORT FIXINGS

DECKING FIXINGS



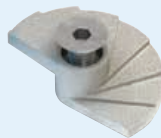
The Grate-Fast® is used to quickly connect open bar grating from above, reducing time and labour costs (see page 50).

Floor Fixings

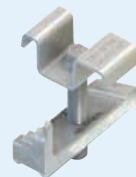
pages 48 - 51

A range of innovative fixings for securing steel flooring to the supporting steelwork without the need for on-site drilling or welding. Access to the underside of the flooring is not required, eliminating the need for costly scaffolding or elevated floors. Installation can be carried out quickly and safely from above, often by one person, significantly reducing costs.

**Type FF
FloorFast®**
page 49



**Type GF
Grate-Fast®**
page 50

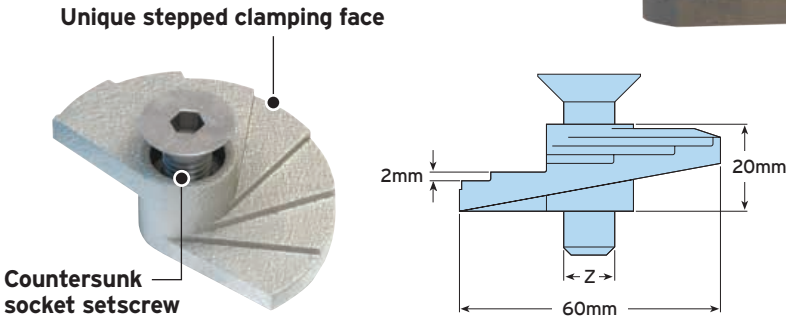
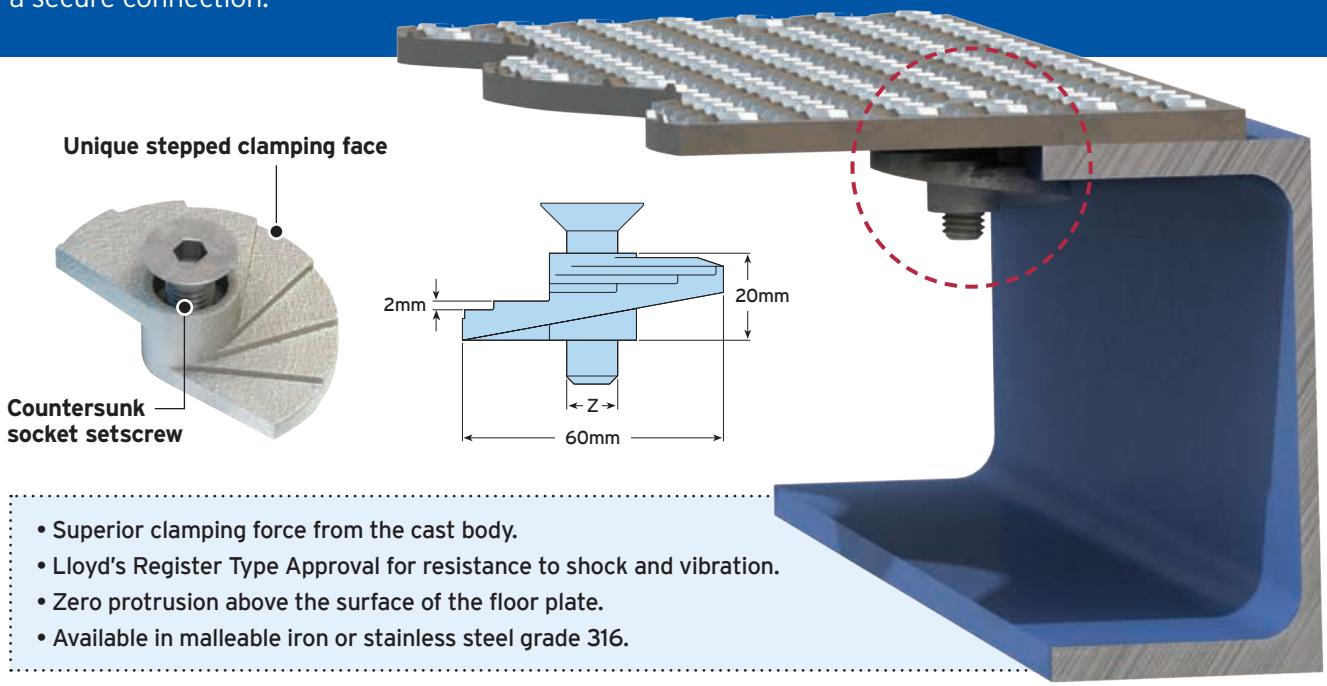


**Type
1055**
page 51

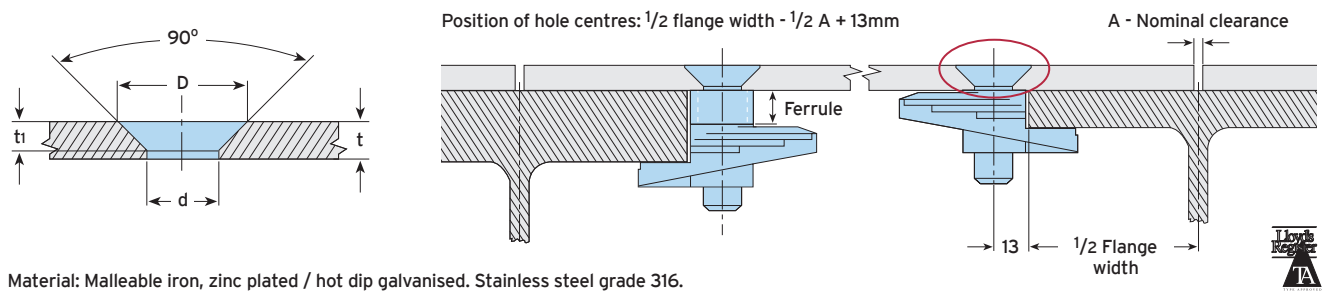


Type FF - FloorFast®

An innovative fixing for connecting chequer plate flooring to supporting steelwork. The stepped clamping face locks under the steelwork to provide a secure connection.



- Superior clamping force from the cast body.
- Lloyd's Register Type Approval for resistance to shock and vibration.
- Zero protrusion above the surface of the floor plate.
- Available in malleable iron or stainless steel grade 316.



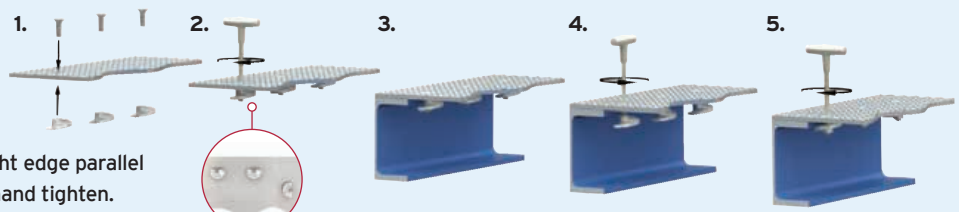
Material: Malleable iron, zinc plated / hot dip galvanised. Stainless steel grade 316.

Code	Bolt min 4.6 ¹⁾	Floorplate Thickness	Standard	Flange Thickness			Dimensions						
				With Ferrule ²⁾			Hole Ø	Countersunk Ø for Bolt		Countersunk Depth for Bolt		Tightening Torque	Hexagon Key
	Z	t mm	- mm	10 mm	20 mm	30 mm	d mm	BZP D mm	HDG D mm	BZP t ₁ mm	HDG t ₁ mm	Nm	mm
FF08	M8	4.5 - 12	3 - 15	13-25	23-35	33-45	9	17	-	4	-	11	5
FF10	M10	5 - 12	3 - 15	13-25	23-35	33-45	11	21	19	5	4	22	6
FF12	M12	6 - 12	3 - 15	13-25	23-35	33-45	13.5	25	23	5.8	4.8	22	8

1) Hot dip galvanised M10 and M12 versions are supplied with a slotted countersunk screw.
 2) To order FloorFast with a ferrule, simply add ferrule size to product code.

How to install...

- 1) Assemble bolt and FloorFast through the chequer plate.
- 2) Align castings with the straight edge parallel to the edge of the plate and hand tighten.
- 3) Lay the floorplate into position.
- 4) Using a hexagon key release countersunk screw one full turn.
- 5) Tighten down the countersunk socket screw.

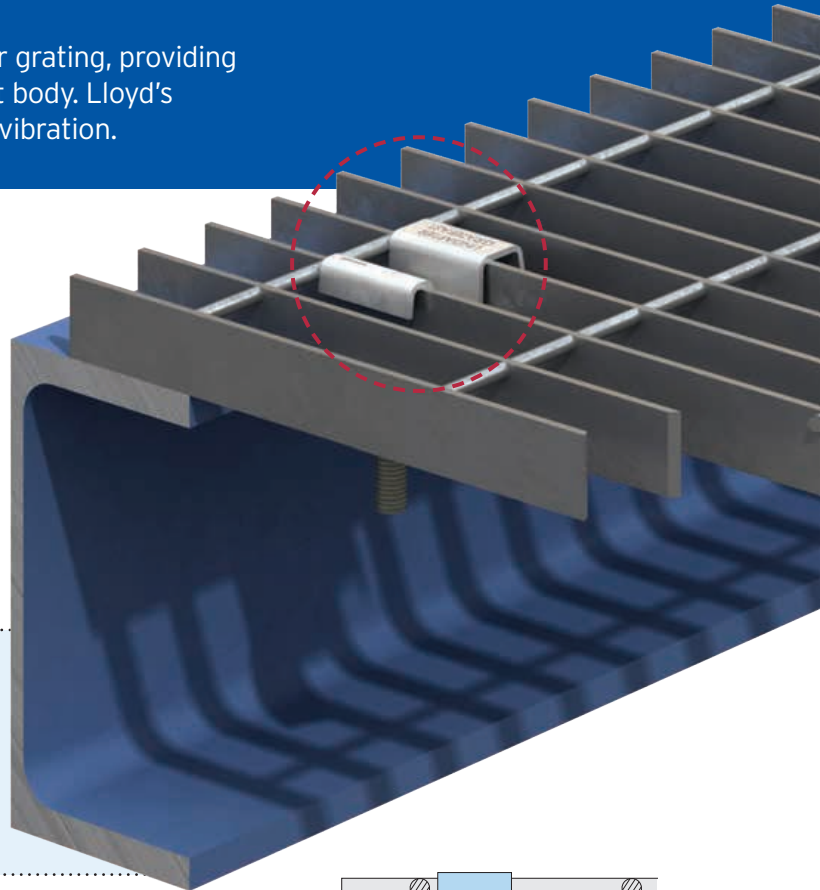
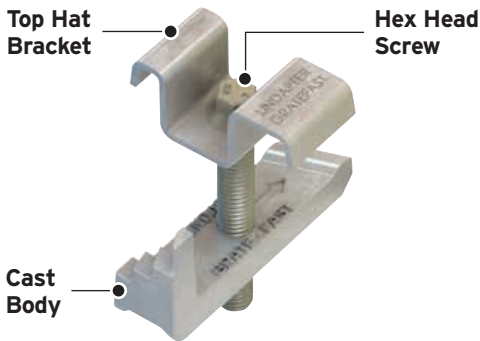


▶ Watch the installation video at www.Lindapter.com

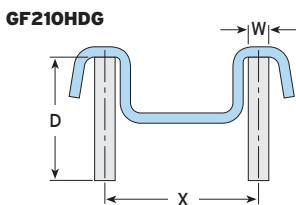
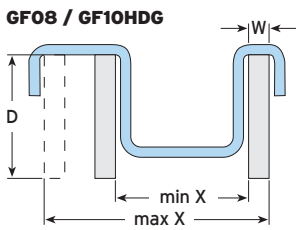
Removal: Using a hexagon key, give the FloorFast one full anti-clockwise turn to release the connection from the flange.

Type GF - Grate-Fast®

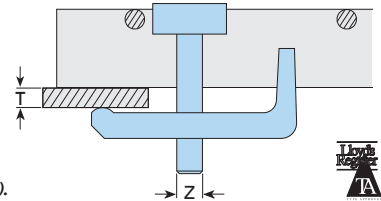
A high strength floor fixing for rectangular open bar grating, providing superior clamping force due to a malleable iron cast body. Lloyd's Register Type Approval for resistance to shock and vibration.



- **GF08** for GRP grating with stainless steel top hat bracket, Sheraplex coated body and socket head screw.
- **GF10HDG** is hot dip galvanised for increased corrosion resistance.
- **GF210HDG** is hot dip galvanised for use with 30mm width floor grating bars only.



Material:
Top Hat: Stainless steel grade 304 (GF08 only).
 Mild Steel, hot dip galvanised (GF10HDG and GF210HDG only).
Body: Malleable iron, Sheraplex (GF08 only).
 Malleable iron, hot dip galvanised (GF10HDG and GF210HDG only).



Product Code	Bolt 8.8 Z	Flange T mm	Grating Bar Depth D mm	Grating Bar Width W mm	Bar Distance X mm	Tightening Torque Nm	Across Flats mm
GF08 ¹⁾	M8	3 - 19	22 - 38	5 - 10	19 - 48	5	6
GF10HDG ²⁾	M10	3 - 19	20 - 50	3 - 7	25 - 45	11	10
GF210HDG ²⁾	M10	3 - 19	19 - 40	3 - 6.5	30	11	10

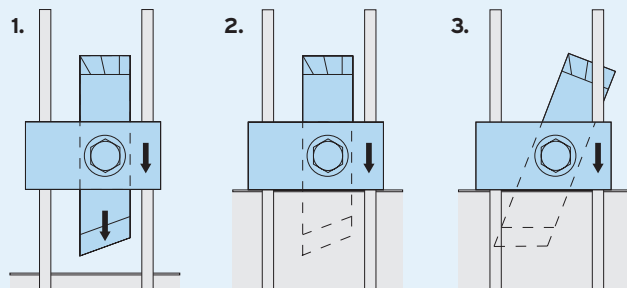
1) Supplied with socket head cap screw.
 2) Supplied with hex head screw.

How to install...

- 1) Position pre-assembled Grate-Fast with the body between the grating bars and the nose pointing towards the steelwork. The arrows on the top hat bracket should also be pointing towards the supporting steelwork and the bracket itself resting on the bearing bars.
- 2) Slide the Grate-Fast towards the steelwork until the nose fits under the beam flange. Where necessary adjust body / screw to the approximate flange thickness / grating depth.
- 3) Tighten the screw. The Grate-Fast body will automatically rotate until it locks under the bearing bar, with the nose under the flange. Tighten to recommended torque.

▶ Watch the installation video at www.Lindapter.com

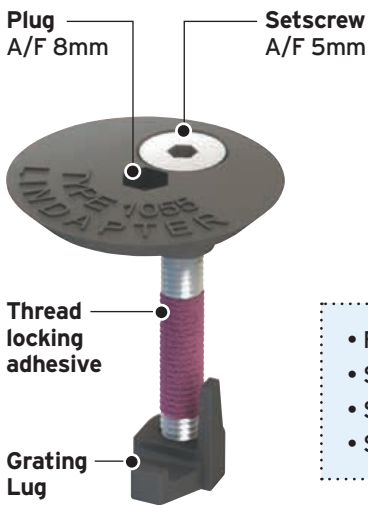
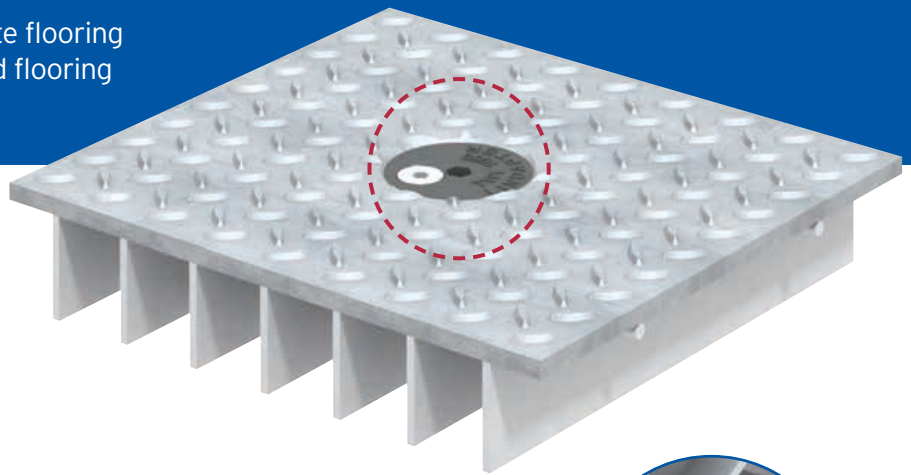
Note: For GF08 tighten the socket head cap screw with a 6mm hexagon key. For GF10HDG and GF210HDG tighten the hex head screw using a torque wrench with a 10mm A/F socket.



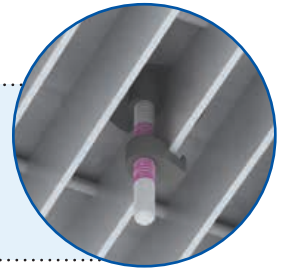
GIRDER CLAMPS
RAIL FIXINGS
LIFTING POINTS
HOLLO-BOLT
FLOOR FIXINGS
SUPPORT FIXINGS
DECKING FIXINGS

Type 1055

This unique solution enables solid plate flooring to be fitted to open-mesh or open-grid flooring using simple hand tools.

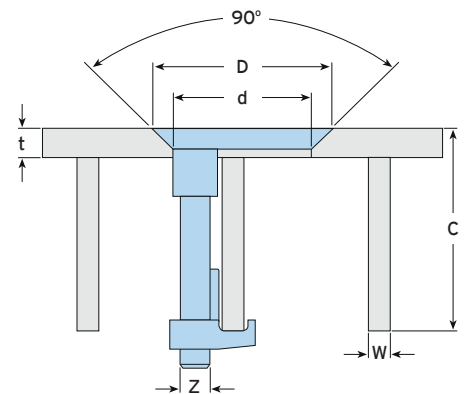


- Fast installation from above, no need for expensive scaffolding.
- Stainless steel for high corrosion resistance.
- Superior clamping force from high quality castings.
- Safely retrofit without welding, no need for hot work permits.

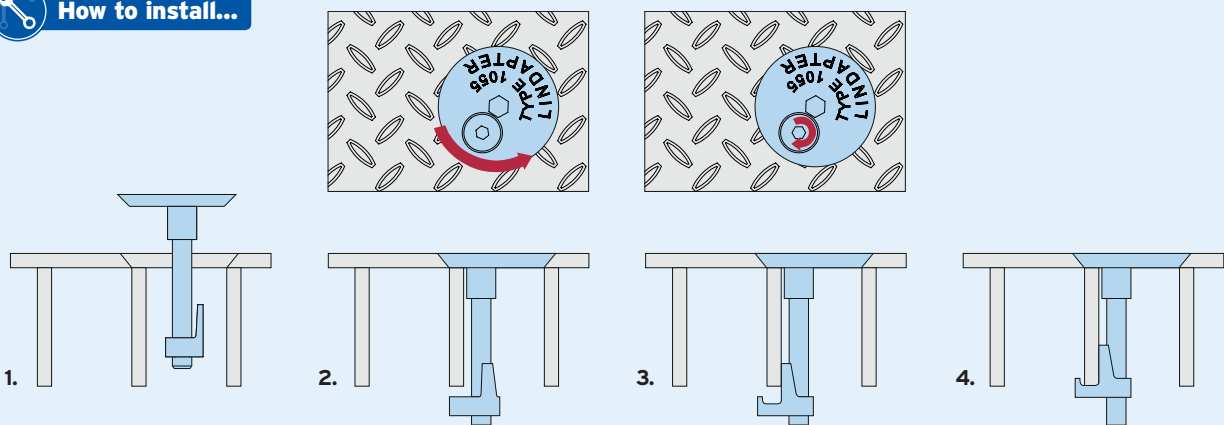


Material: Cast stainless steel, self colour.

Product Code	Bolt A4-70 Z	Floorplate Thickness t mm	Clamping Range C mm	Grating Bar Width W mm	Hole \varnothing d Nm	Counter-sunk \varnothing D Nm	Setscrew	
							Tight. Torque Nm	Hex. Key mm
FG1055	M8	min. 6	35 - 56	3 - 8	40	50	11	5



How to install...



- 1) Insert the pre-assembled Type 1055 into the countersunk hole between the grating bars.
- 2) Use an 8mm hexagon key to rotate the plug anti-clockwise until the underside of the plug locates against the grating bar.
- 3) Use a 5mm hexagon key to rotate the countersunk setscrew clockwise until the grating lug makes contact with the grating bar.
- 4) Tighten the setscrew to 11Nm; the grating lug will be drawn up the screw and will activate the thread locking adhesive.

▶ Watch the installation video at www.Lindapter.com



The Type F3 has a large clamping range to suit various flange thicknesses (see page 56).

Support Fixings

pages 52 - 61

Easy-to-install connections for suspending building services from structural or secondary beams. Typical applications include supporting HVAC equipment, pipe work, fire protection and sprinkler systems. Adjustable to allow a fast and precise alignment of building services.



Type FLS
page 53



Type FL
page 54



Type LC
page 55



Type SW
page 55



Type F3
page 56



Type SH
page 57



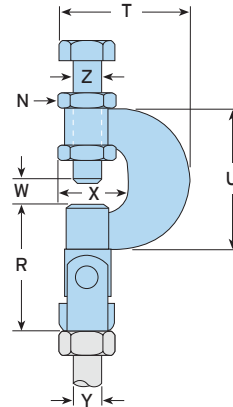
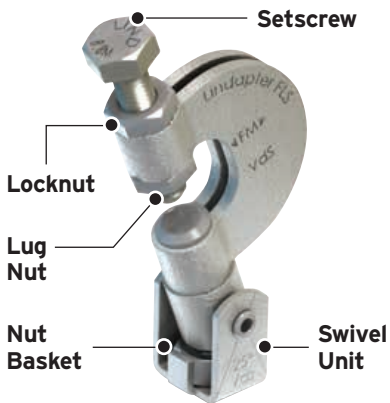
Type HW/HC
page 57



Purlin Clips
page 58-60

Type FLS

A versatile flange clamp with a swivel unit for inclined applications. Supplied with a high tensile setscrew for a secure grip on both parallel and tapered flanges.

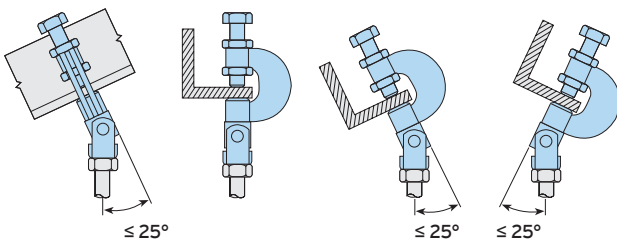


Material: High grade alloy steel, zinc plated.

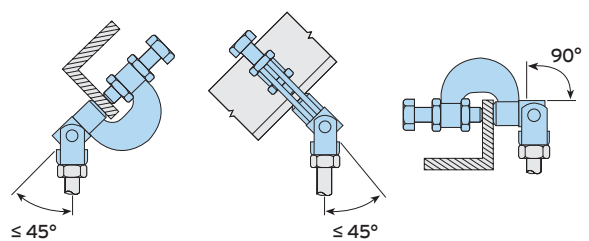


Product Code	Rod Y	Safe Working Load (4:1 Factor of Safety)		Clamping Range W mm	Setscrew Z	Tightening Torque		Dimensions				
		Tensile $\leq 25^\circ$ kN	Tensile 25° to 45° kN			Setscrew Z Nm	Locknut N Nm	R mm	T mm	U mm	X mm	Width mm
FLS08	M8	2.5	1.5	3 - 17	M10	18	18	55	53	58	27	28
FLS10	M10	2.5	1.5	3 - 17	M10	18	18	55	53	58	27	28

Independently Approved Applications

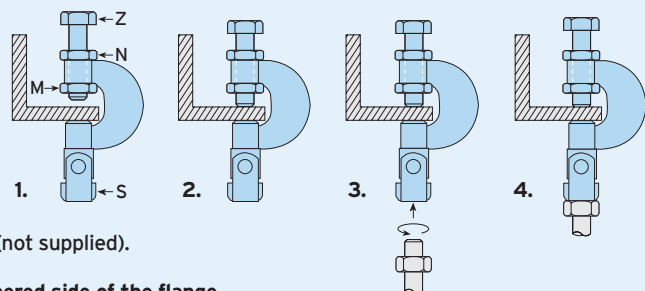


General Applications (Parallel Flanges only)



How to install...

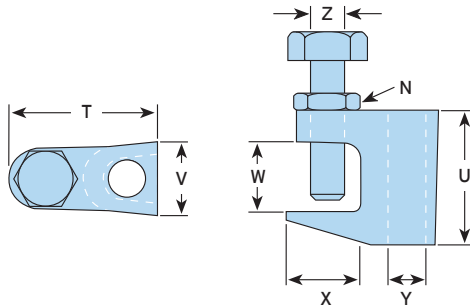
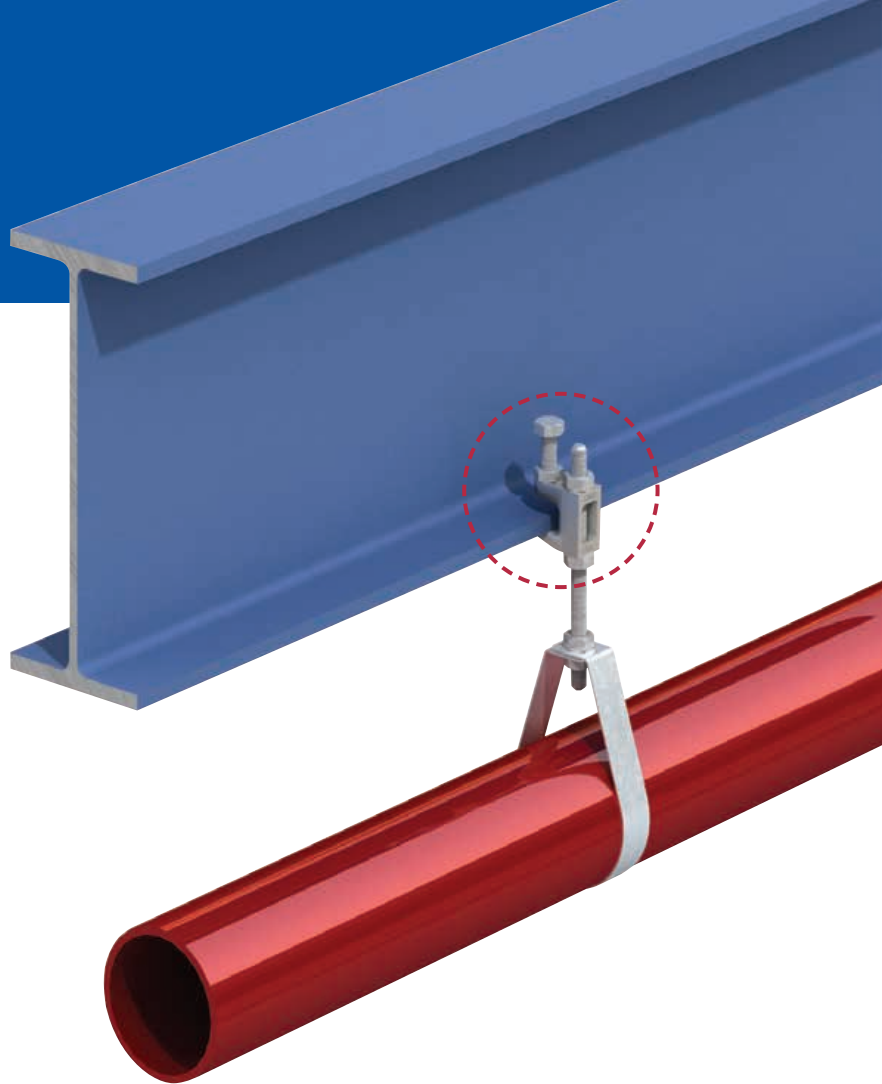
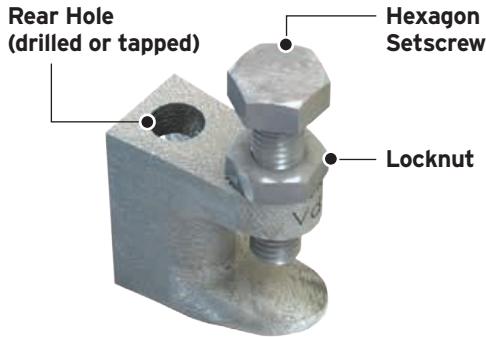
- 1) Locate the FLS onto the flange.
- 2) Ensuring the lug nut (M) locates into the main body, tighten down the setscrew (Z) and locknut (N).
- 3) Install the threaded rod by screwing into the nut located in the nut basket (S). Ensure full thread capture.
- 4) Secure assembly in nut basket (S) from beneath using a nut (not supplied).



➤ Ensure that the cup point setscrew always grips on the tapered side of the flange.

Type FL

FM and VdS approved flange clamp for use with parallel or tapered flange beams, supplied with the rear hole drilled or tapped.



Material: Malleable iron, zinc plated.

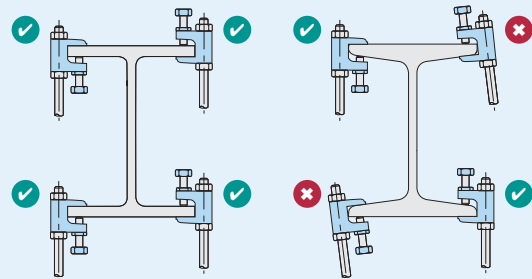
Product Code		Clear Hole Ø Y mm	Tapped Thread Y	Safe Working Load (4:1 FOS) Tensile kN	Clamping Range W mm	Setscrew Z	Tightening Torque		Dimensions			
Clear	Tapped						Setscrew Z	Locknut N	T	U	X	Width V
FL106D	FL106T	7	M6	1.1	3 - 17	M8	8	11	36	35	20	19
FL108D	FL108T	9	M8	1.1	3 - 17	M8	8	11	36	35	20	19
FL210D	FL210T	11	M10	2.4	3 - 19	M10	8	22	45	40	22	22
FL312D	FL312T	13	M12	3.1	3 - 23	M10	8	22	50	46	28	25
FL412D	FL410T	13	M10	3.1	3 - 28	M10	8	22	53	51	27	26

➤ The Type FL can be used with Type SW (page 55) when connecting to inclined sections.

How to install...

- 1) Slide the Type FL onto the beam flange and tighten setscrew to the recommended torque. As a guide, tighten the setscrew finger tight and then apply an additional quarter turn (90°) with spanner.
- 2) Tighten the locknut (N) to the recommended torque.

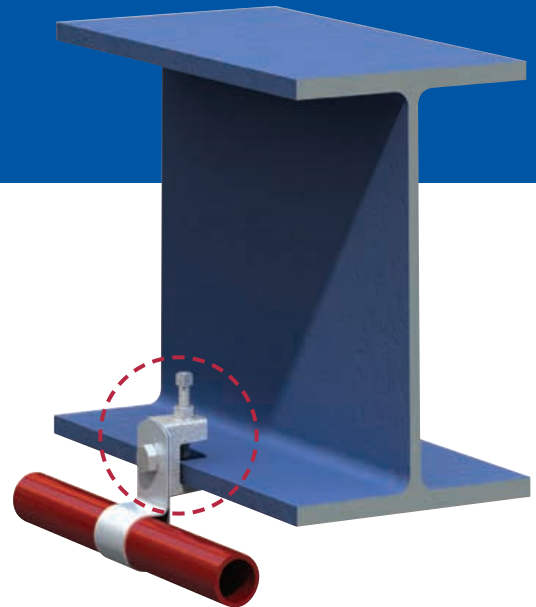
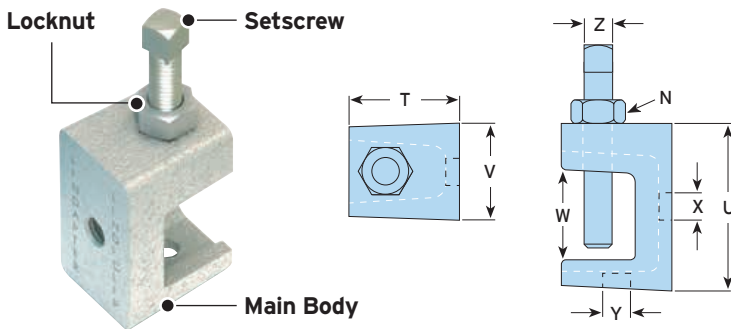
➤ On tapered flanges, the cup point setscrew has to grip on the inside of the flange.



GIRDER CLAMPS
RAIL FIXINGS
LIFTING POINTS
HOLLO-BOLT
FLOOR FIXINGS
SUPPORT FIXINGS
DECKING FIXINGS

Type LC

A flange clamp for parallel or tapered flanges with tapped holes to accept threaded rod or cable clips. Supplied with a high tensile cup point setscrew.



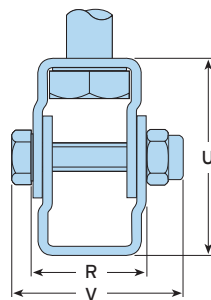
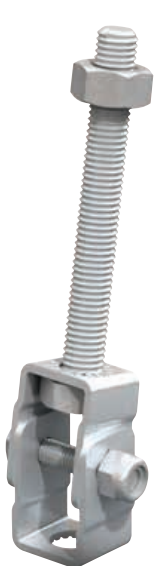
Material: Malleable iron, zinc plated.

▶ Installation is the same as Type FL (page 54).

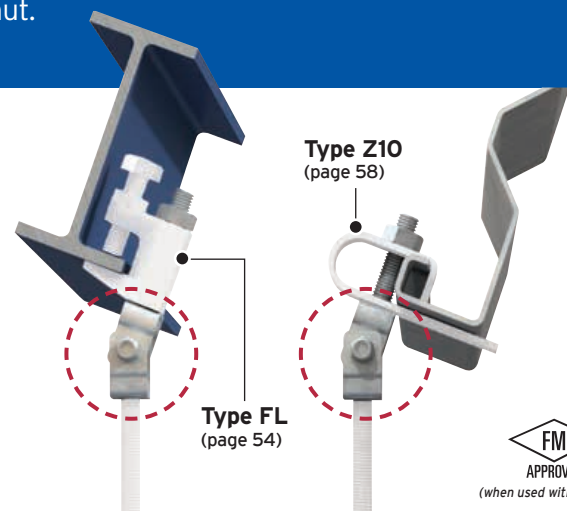
Product Code	Thread		Safe Working Load (4:1 Factor of Safety)			Clamping Range W mm	Setscrew Z	Tightening Torque		Dimensions		
	X	Y	Tensile in Position X kN	Tensile in Position Y kN	Setscrew Z Nm			Locknut N Nm	T mm	U mm	Width V mm	
LC06	M6	M6	0.18	0.59	3 - 20	M6	4	4	25	36	21	
LC08	M8	M8	0.18	0.59	3 - 20	M6	4	4	25	36	21	

Type SW

A swivel unit for applications on inclined beams complete with a M10 x 90mm (property class 8.8) setscrew and nut. Can be supplied with Type FL or Type Z10.



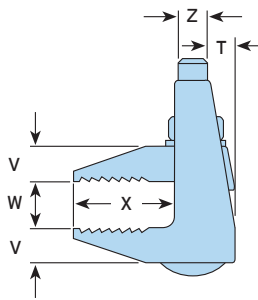
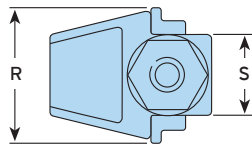
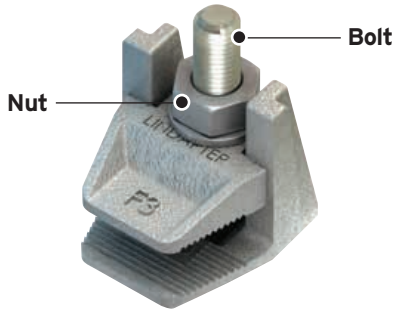
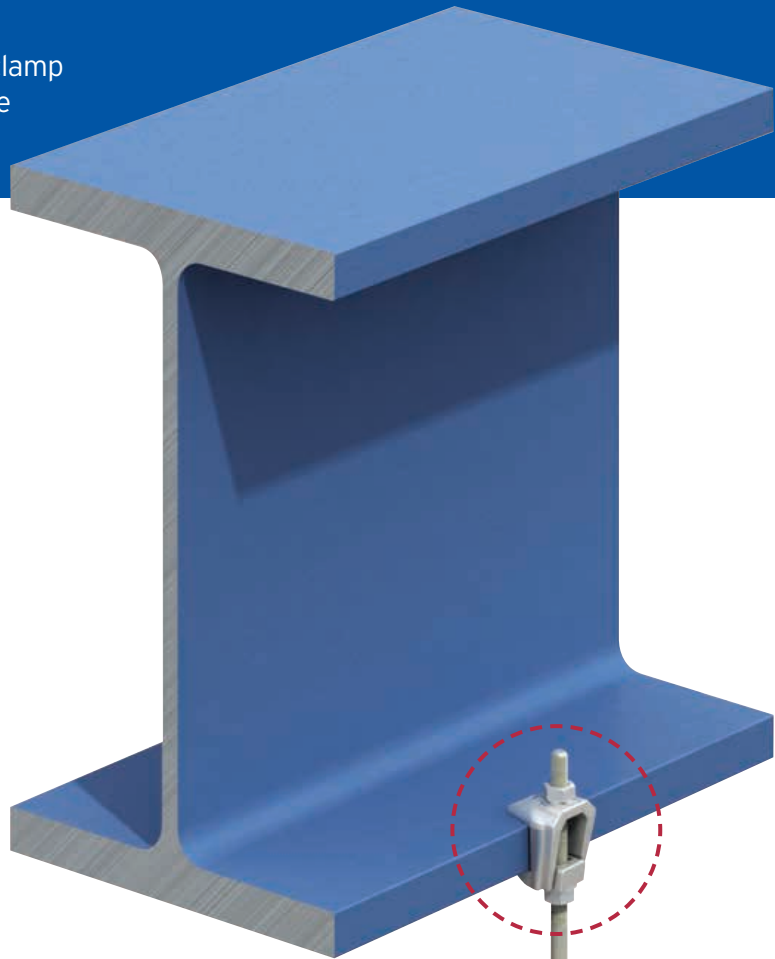
Material: High grade alloy steel, zinc plated.



Product Code	Rod	Safe Working Load (4:1 FOS)		Maximum Inclination	Rotation	Tightening Torque Nm	Dimensions		
		Tensile kN					U mm	R mm	Width with Bolt V mm
SW10	M10	2.4		18°	360°	11	45	25	35

Type F3

An FM approved, high strength flange clamp with a large clamping range. Compatible with drop rods and J bolts.



For heavier loads or wider clamping range, please see the Type F9 on page 24.



Material: Malleable iron, hot dip galvanised.

Product Code		Bolt 4.6 Z	Safe Working Load (4:1 Factor of Safety) Tensile kN	Clamping Range W mm	Tightening Torque Nm	Dimensions				
With Bolt	Without Bolt					S	T	V	X	Width R
F308NC	F308NB	M8	0.9	2 - 25	6	19	6	8	20	33
F310NC	F310NB	M10	1.2	2 - 30	20	22	7	10	25	38
F312NC	F312NB	M12	2.0	2 - 40	39	29	9	12	35	49
F316NC	F316NB	M16	4.0	3 - 55	93	36	12	16	46	60
F320NC	F320NB	M20	6.0	5 - 70	177	44	15	19	55	76

➤ For parallel flanges only. Supplied with or without bolt.

GIRDER CLAMPS
 RAIL FIXINGS
 LIFTING POINTS
 HOLLO-BOLT
 FLOOR FIXINGS
 SUPPORT FIXINGS
 DECKING FIXINGS

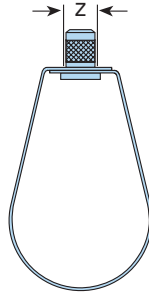
Type SH

A strap hanger with LPCB and FM approval for use in fire sprinkler installations. Supplied with or without a hanger nut. Can be used with all Lindapter flange clamps.

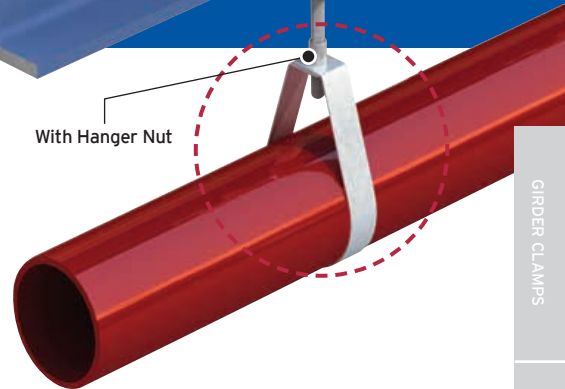
Hanger Nut



LPS1194 Issue 1.2
Certificate No. 1171a
(25-50mm
Pipe Bore only)



With Hanger Nut



Material: Pre-galvanised strip.

WITHOUT HANGER NUT			
Code	Pipe Bore mm	Rod Z	Hole Ø mm
SH025	25	M8 or M10	11
SH032	32	M8 or M10	11
SH040	40	M8 or M10	11
SH050	50	M8 or M10	11
SH065	65	M8 or M10	11
SH080	80	M8 or M10	11
SH100	100	M8 or M10	11
SH125	125	M12	13
SH150	150	M12	13
SH200	200	M16	18

WITH HANGER NUT			
Code	Pipe Bore mm	Rod Z	Hole Ø mm
SH025N	25	M8 or M10	14
SH032N	32	M8 or M10	14
SH040N	40	M8 or M10	14
SH050N	50	M8 or M10	14
SH065N	65	M8 or M10	14
SH080N	80	M8 or M10	14
SH100N	100	M8 or M10	14
SH125N	125	M12	17
SH150N	150	M12	17
SH200N	200	M16	21.5

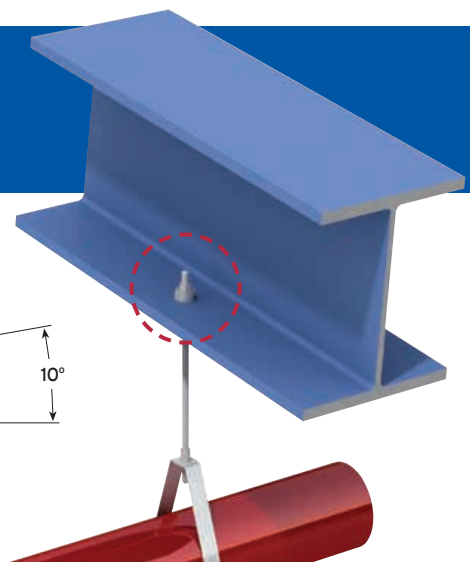
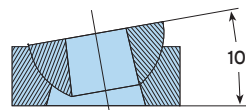
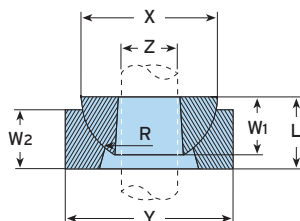
Type HW / HC

For vertical suspension on angled surfaces of up to 10° swing either side of the vertical.

Washer



Cup



Material: Malleable iron, zinc plated / hot dip galvanised.

Product Code			Hemispherical Washer		Hemispherical Cup		Hemispherical Washer & Cup	
Hemispherical Washer (can be used without cup)	Hemispherical Cup	Rod Z	X	W1	Y	W2	R	L
			mm	mm	mm	mm	mm	mm
HW10	HC10	M10	25	12	32	12	13	14
HW12	HC12	M12	29	12	35	12	14	16
HW16	HC16	M16	34	16	41	16	17	19
HW20	HC20	M20	44	19	54	19	22	24

Type Z10

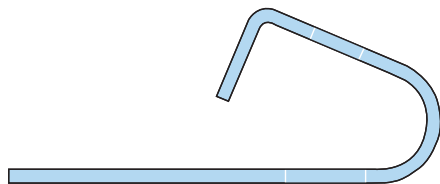
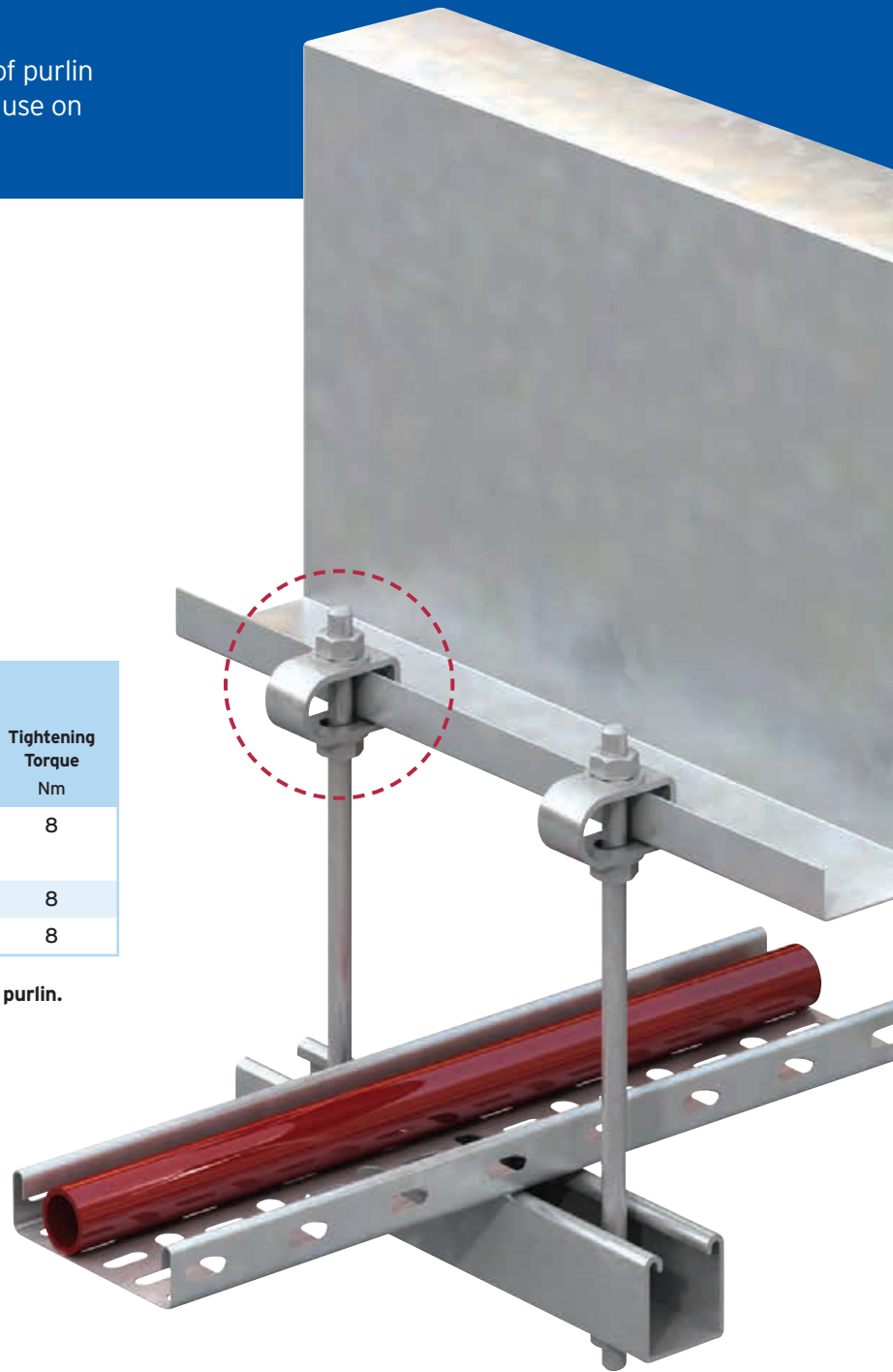
A purlin clip designed to suit a large range of purlin sections. Can be used with the Type SW for use on inclined purlins (see page 55).




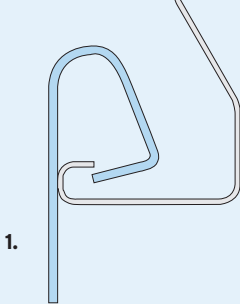
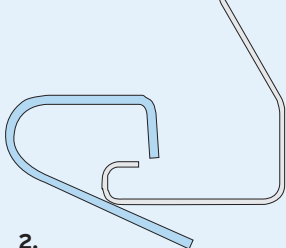
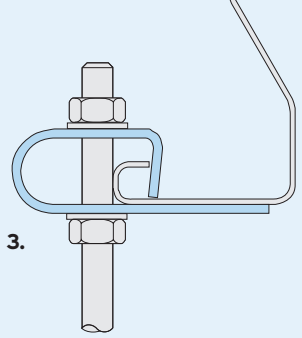
Material: Mild steel, zinc plated.

Code	Purlins	Rod	Safe Working Load (3:1 FOS)	
			Tensile kN	Tightening Torque Nm
Z10	Kingspan Multibeam 2 & 3	M10	0.2	8
Z10	Metsec	M10	0.1 - 0.2	8
Z10	Zeta	M10	0.15	8

➤ Safe working loads are subject to the strength of the purlin. Please refer to the purlin manufacturer's literature.

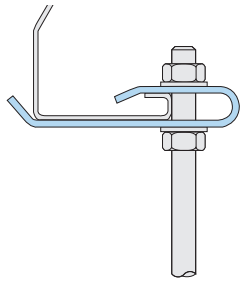
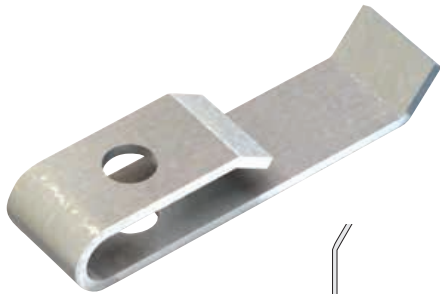


 **How to install...**

1. 
2. 
3. 

Type HCW30

A purlin clip suitable for horizontal purlins.



Material: Pre-galvanised strip.

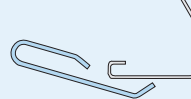
Code	Purlin	Rod	Safe Working Load (3:1 FOS) Tensile kN	Tightening Torque Nm
HCW30	Kingspan Multibeam 3	M10	0.2	8

➤ Safe working loads are subject to the strength of the purlin. Please refer to the purlin manufacturer's literature.

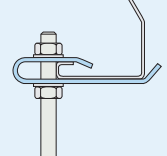


How to install...

1.

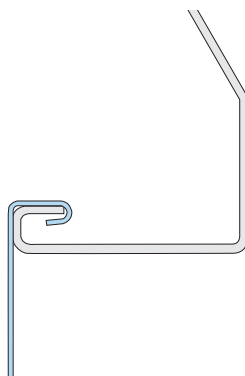


2.



Type HCW31

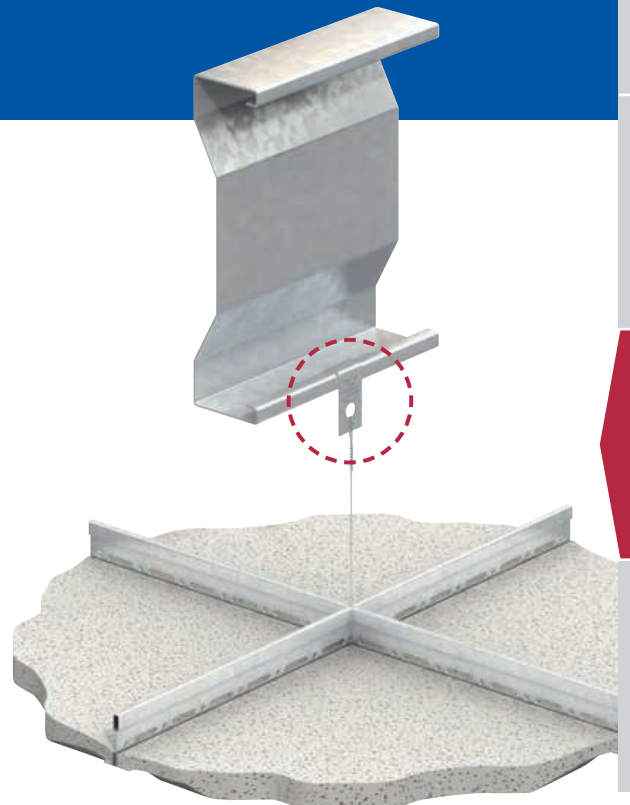
A universal purlin clip suitable for multiple applications.



Material: Pre-galvanised strip.

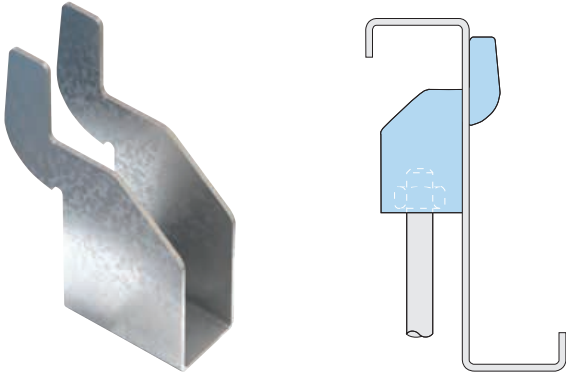
Code	Purlin	Safe Working Load (3:1 Factor of Safety) Tensile kN
HCW31	Kingspan Multibeam 3	0.2

➤ Safe working loads are subject to the strength of the purlin. Please refer to the purlin manufacturer's literature.



Type WF

The Webfix allows a quick installation directly from the web of Zed purlins.

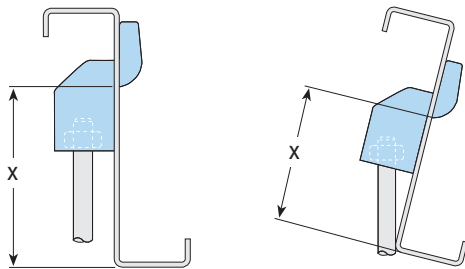


Material: Mild steel, zinc plated.

Prod. Code	Rod	Safe Working Load (5:1 FOS) Tensile kN	Max. Purlin Thick. mm	Hole Ø mm	Max Distance X at Angle of		
					10° mm	20° mm	30° mm
WF10	M10	1.0	4	18	103	94	74

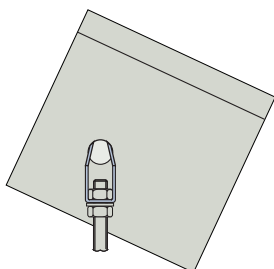
Hole Position for Canted Purlins

When purlins are connected to a sloping roof beam, the maximum allowable distance X (hole centre to bottom edge of the purlin) must decrease.



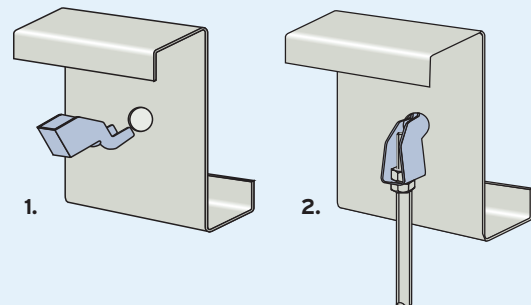
Hole Position of Inclined Purlin

Type WF adjusts to whatever angle is required. Hole position is not a limiting factor on product installation.



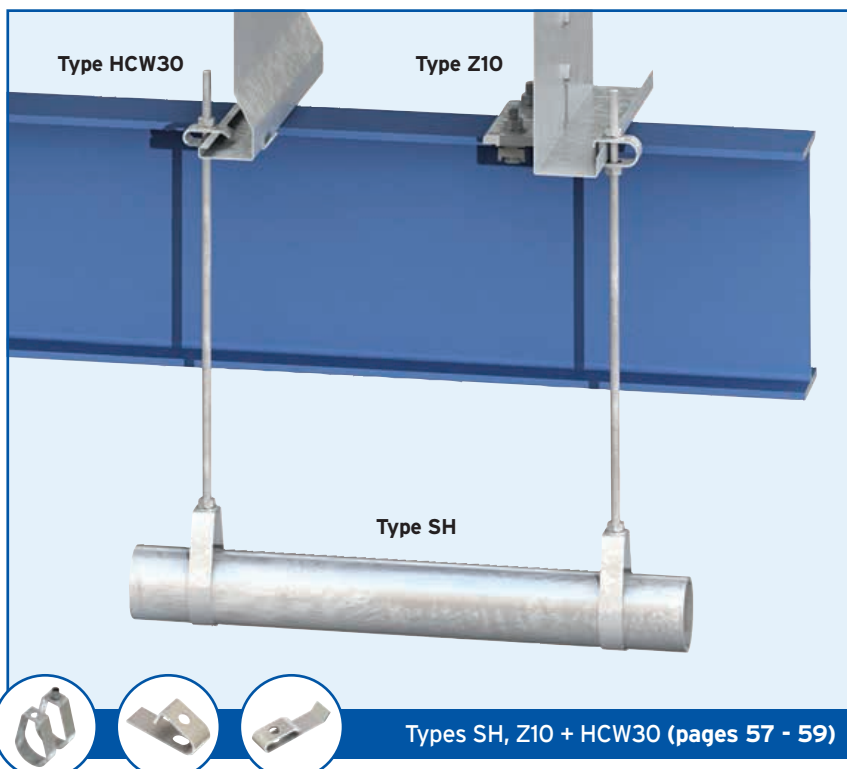
How to install...

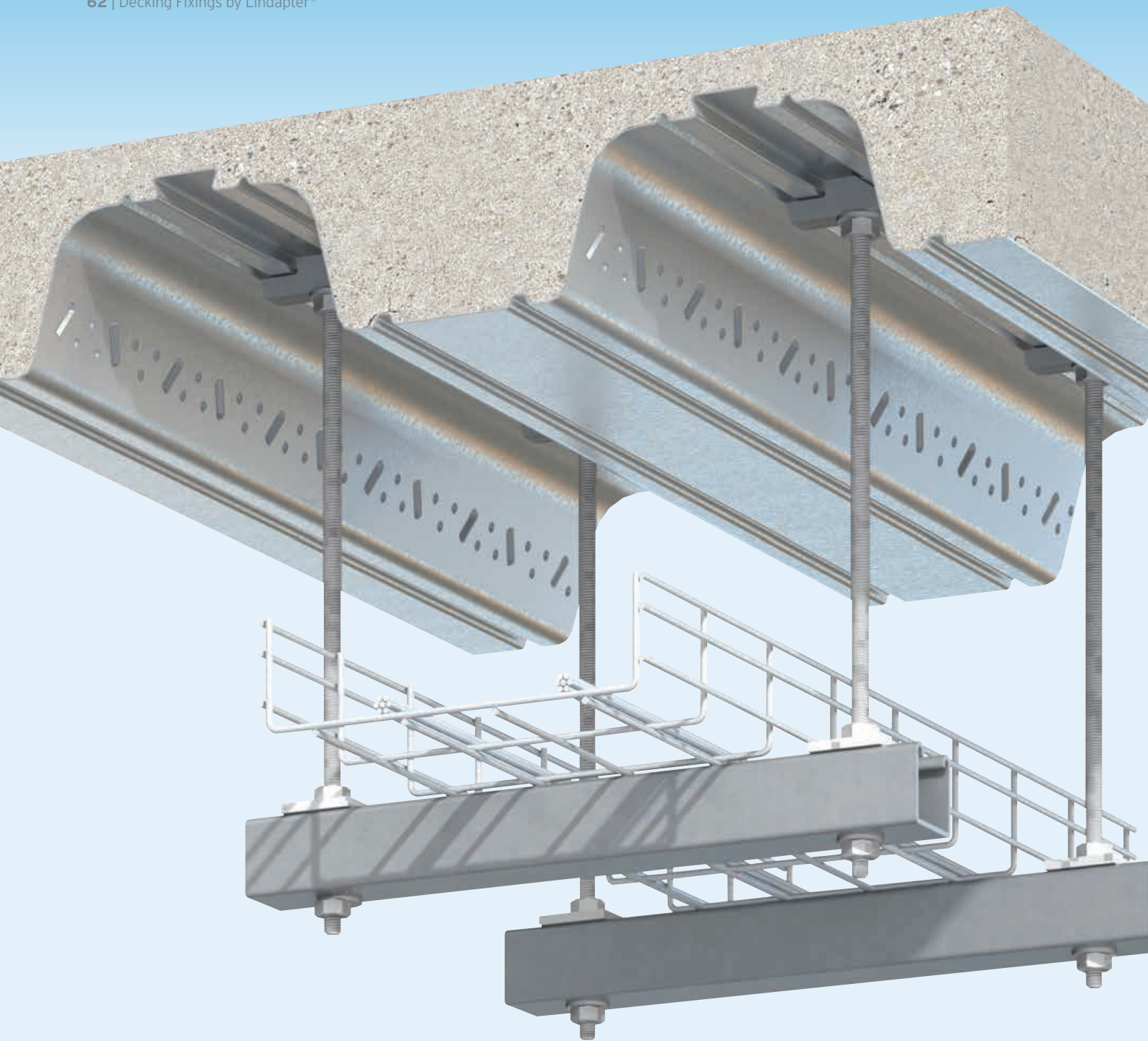
- 1) Squeeze the legs of the Type WF together and push through the hole until it clicks into place.
- 2) Assemble with the nut, ensuring full thread capture.



Typical Applications for Support Fixings

Examples of popular connection arrangements are shown below. Visit www.Lindapter.com to view more examples or contact Lindapter to discuss your connection requirement.





Decking Fixings

pages 62 - 69

High quality, cost effective connections for securing building services. Designed to fit inside the dovetail re-entrant channels of popular composite decking profiles, Lindapter's fixings provide a zero-impact method that avoids delamination and damage to the decking.

On-site pull tests


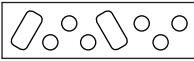

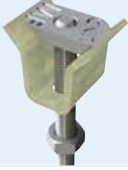
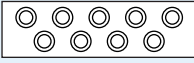
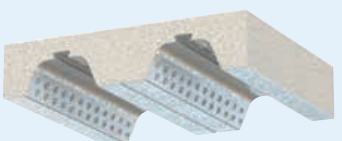


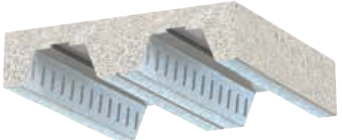


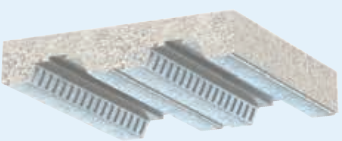



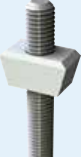
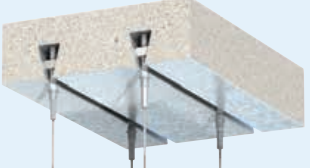
Lindapter's Engineers can provide tensile tests on the full range of decking fixings. Available on request and subject to application.





Product Comparison

The table below shows the various components that are designed to fit the decking profiles of major manufacturers such as Composite Metal Flooring (CMF®), Kingspan® Structural Products and Structural Metal Decks (SMD).

Components

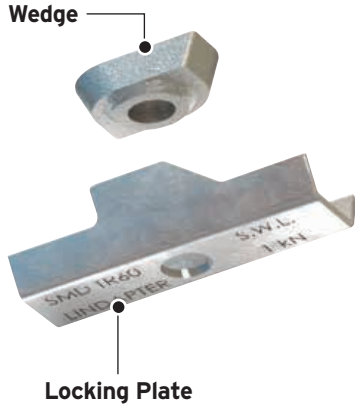
Lindapter Decking Fixing	Compatible Composite Decking Profile(s)
<p>Type TR60 page 64</p> 	<p>Structural Metal Decks (SMD) TR60+ and TR80+</p>  
<p>Type MF page 65</p> 	<p>Composite Metal Flooring (CMF®) MetFloor® 60 and MetFloor® 80</p>  
<p>Type MW2 - Multiwedge 2 page 66</p> 	<p>Kingspan® Structural Products Multideck® 60 and Multideck® 80</p>  
<p>Type AW - Alphawedge page 67</p> 	<p>Hare Decking (formerly Richard Lees®) Ribdeck® E60</p>  
<p>Type SD2 - Slimdek 2 page 68</p> 	<p>Tata Steel® Europe ComFlor® 225</p>  
<p>Type VN page 69</p> 	<p>Fits several profiles including: R51 (SMD), ComFlor® 51 (Tata Steel®), Holorib® (Hare Decking), Superib® (Hare Decking), Multideck® 50 (Kingspan®) and MetFloor® 55 (CMF®)</p> 

Also available

<p>Type TC - Toggle Clamp page 69</p> 	<p>Designed for: Service suspension from pre-cast hollow core slabs (minimum core depth of 75mm) as well as Structural Hollow Section (SHS), steel sheeting or purlins.</p> 
--	--

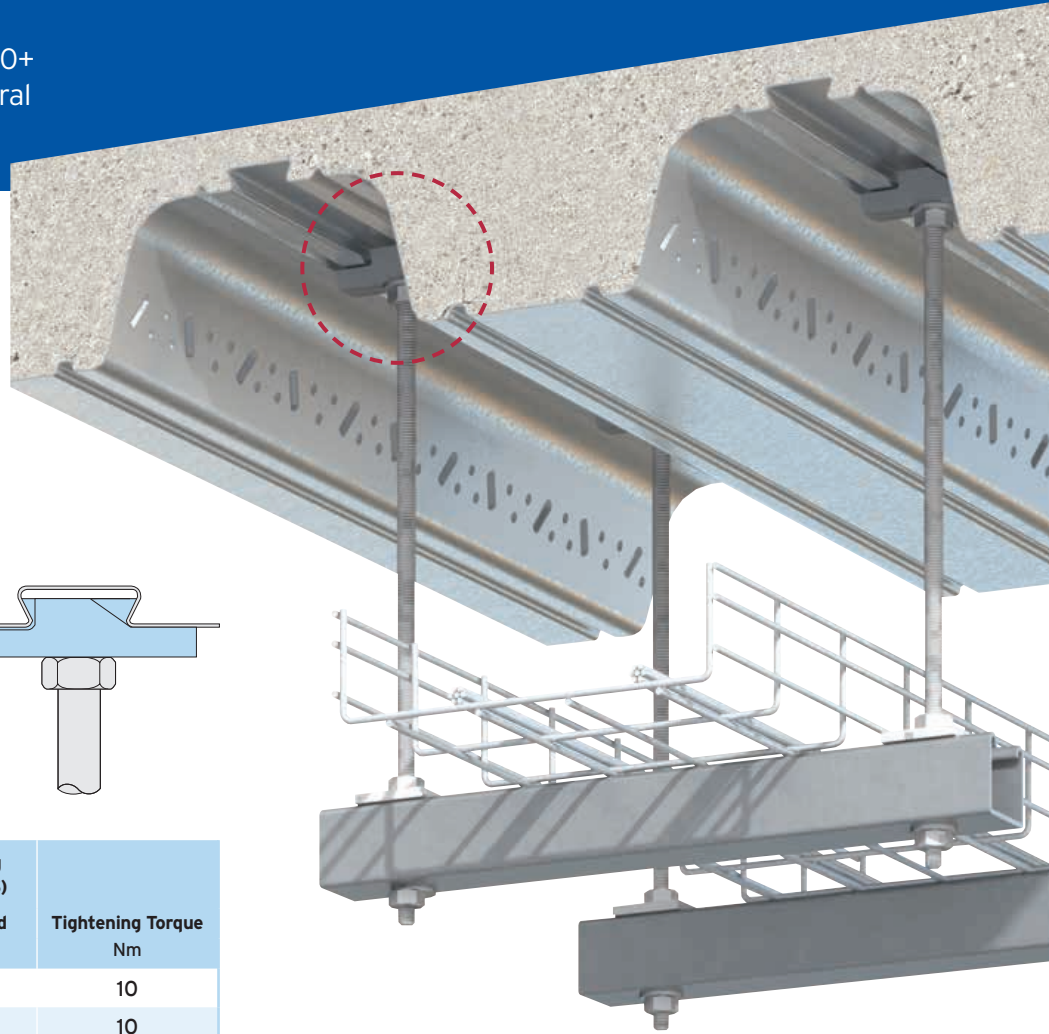
Type TR60

Designed for the TR60+ and TR80+ profiles manufactured by Structural Metal Decks (SMD).



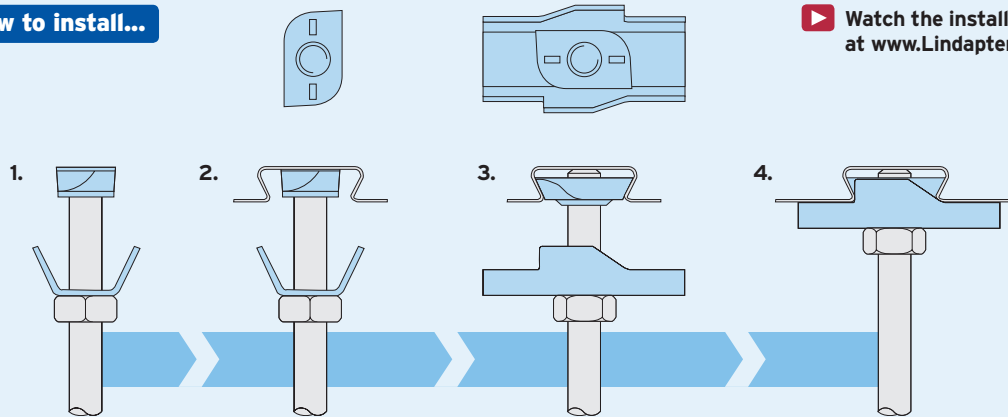
Locking Plate: Pre-galvanised strip.
Wedge: Malleable iron, bright zinc plated.

Product Code	Rod min 4.6	Safe Working Load (3:1 FOS)	
		Tensile / 1 Rod kN	Tightening Torque Nm
TR6006	M6	1.0	10
TR6008	M8	1.0	10
TR6010	M10	1.0	10



How to install...

▶ Watch the installation video at www.Lindapter.com



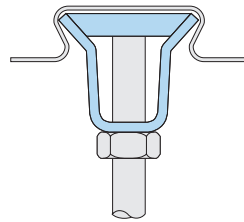
- 1) Pre-assemble the locking plate and wedge (flat surface up) onto the threaded rod.
- 2) Insert the wedge into the re-entrant channel of the decking.
- 3) Rotate until the chamfered cams engage on the sides of the channel.
- 4) Slide the plate up the threaded rod and over the wedge to lock it into position in the channel. Tighten the locknut beneath the plate to hold the assembly in position.

- ▶ Install the decking fixings after the concrete has been poured and has reached full strength.
- ▶ If the decking profile is deformed or distorted, do not install the fixing. If in doubt, contact the Technical Support team for advice.

GIRDER CLAMPS
 RAIL FIXINGS
 LIFTING POINTS
 HOLLO-BOLT
 FLOOR FIXINGS
 SUPPORT FIXINGS
 DECKING FIXINGS

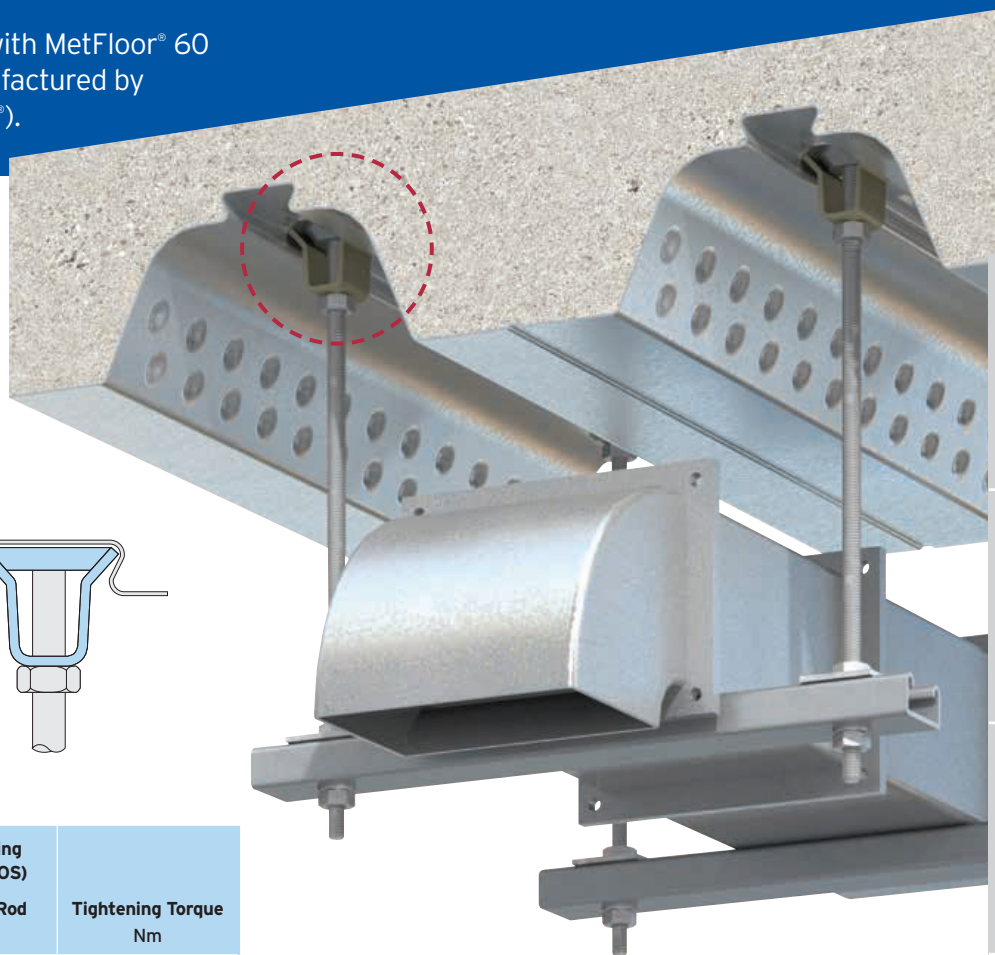
Type MF

Specifically developed for use with MetFloor® 60 and MetFloor® 80 profiles manufactured by Composite Metal Flooring (CMF®).



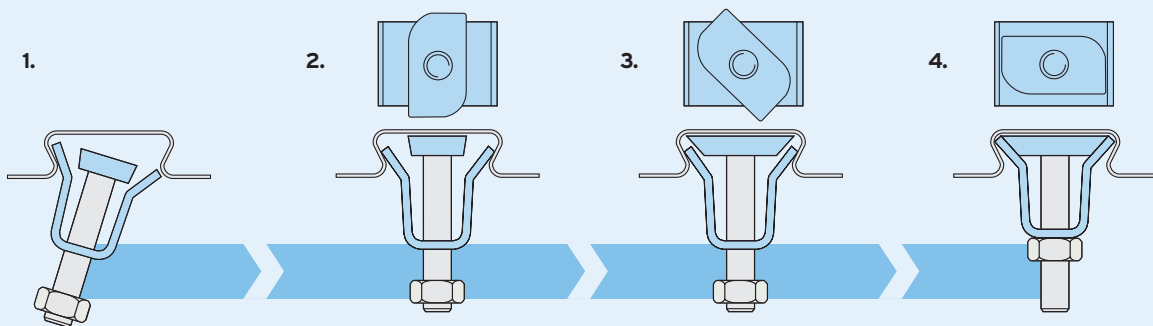
Bracket: Steel strip, zinc plated + JS500
Wedge: Malleable iron, zinc plated.

Product Code	Rod min 4.6	Safe Working Load (3:1 FOS)	Tightening Torque Nm
		Tensile / 1 Rod kN	
MF06	M6	1.47	10
MF08	M8	1.47	10
MF10	M10	1.47	10



➤ Although the Type MF is similar in appearance to the Type MW2 (page 66), it should NOT be used in profiles manufactured by Kingspan® Structural Products.

How to install...



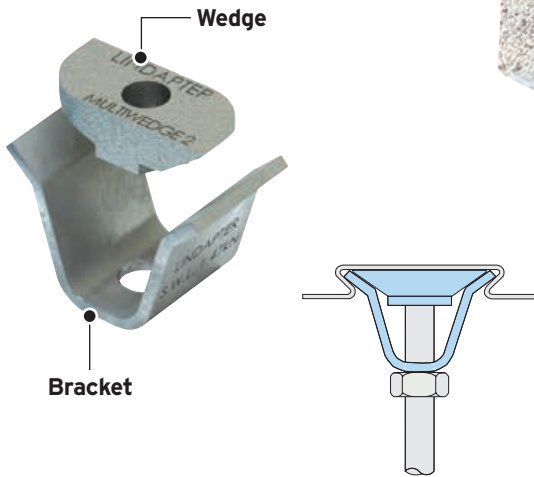
- 1) Pre-assemble the bracket and wedge (flat surface facing up) onto the threaded rod and insert one side of the bracket into the re-entrant channel of decking.
- 2) Insert the other side of the bracket into position inside the decking.
- 3) Turn the wedge clockwise until the position in Fig. 4 has been achieved.
- 4) Tighten the nut on the rod to a torque of 10Nm (prevent rod from rotating).

➤ Install the decking fixings after the concrete has been poured and has reached full strength.

➤ If the decking profile is deformed or distorted, do not install the fixing. If in doubt, contact the Technical Support team for advice.

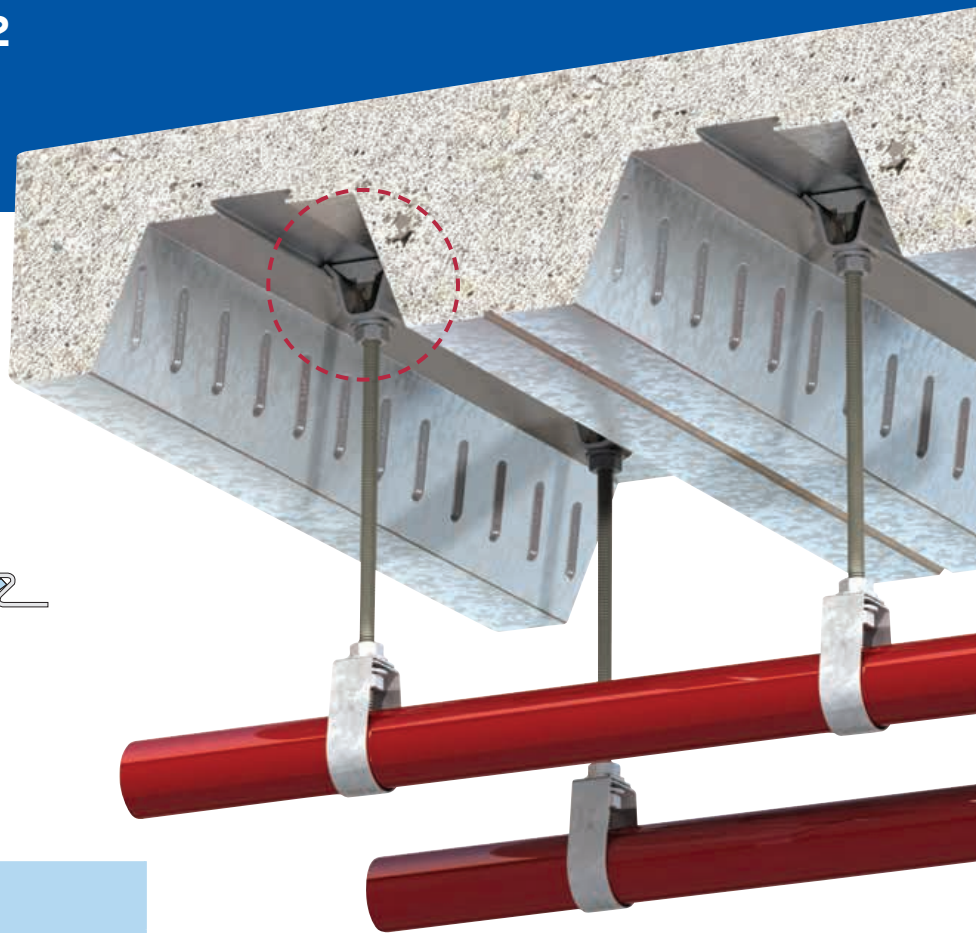
Type MW2 - Multiwedge 2

Designed for the Multideck® 60 and Multideck® 80 profiles manufactured by Kingspan® Structural Products.



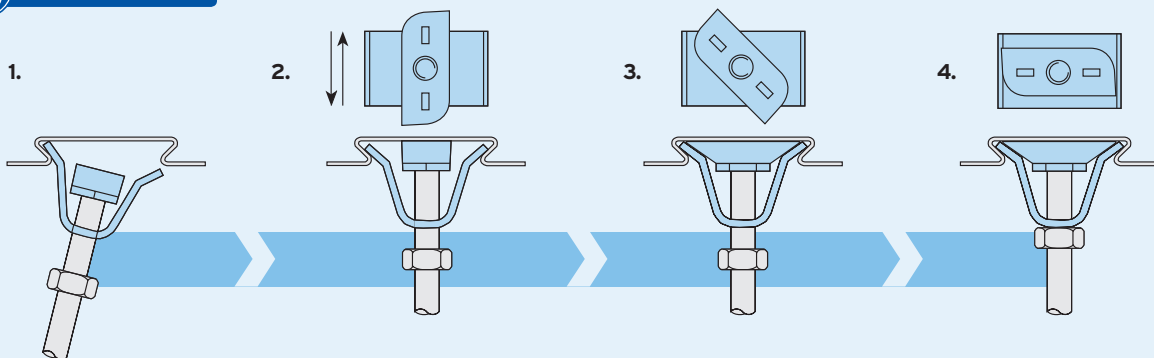
Bracket: Pre-galvanised strip.
Wedge: Malleable iron, bright zinc plated.

Product Code	Rod min 4.6	Safe Working Load (3:1 FOS)	
		Tensile / 1 Rod kN	Tightening Torque Nm
MW06	M6	1.47	10
MW08	M8	1.47	10
MW10	M10	1.47	10



➤ Although the Type MW2 is similar in appearance to the Type MF (page 65), it should NOT be used in profiles manufactured by CMF®.

How to install...



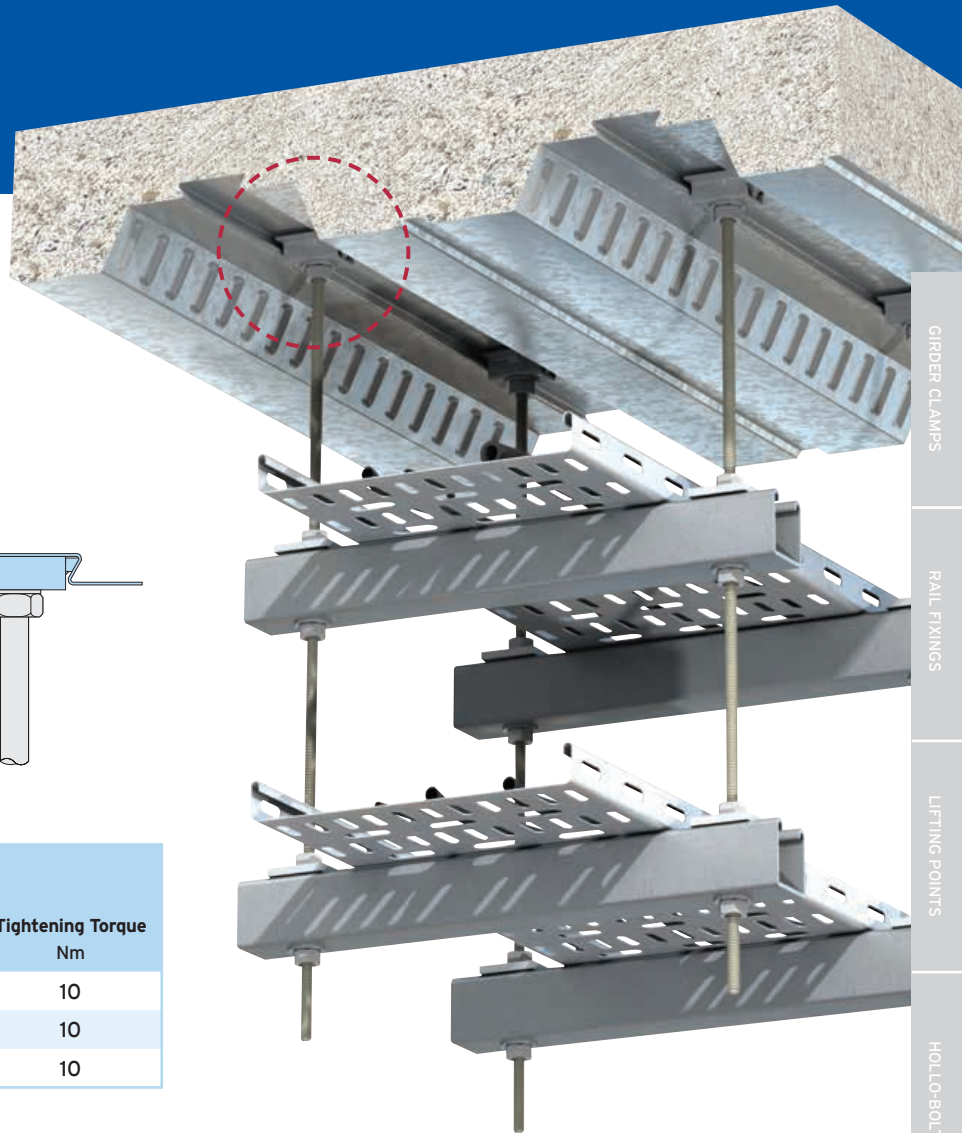
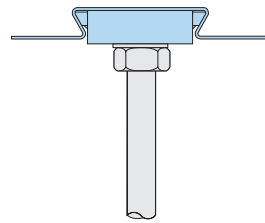
- 1) Pre-assemble the bracket and wedge (flat surface facing up) onto the threaded rod and insert one side of the bracket into the re-entrant channel of the decking.
- 2) Click the other leg of the bracket into position inside the decking and slide the assembly to the desired position along the length of the re-entrant channel.
- 3) Push and turn the wedge clockwise until it locks into the channel walls.
- 4) Tighten the hexagon nut beneath the assembly.

➤ Install the decking fixings after the concrete has been poured and has reached full strength.

➤ If the decking profile is deformed or distorted, do not install the fixing. If in doubt, contact the Technical Support team for advice.

Type AW - Alphawedge

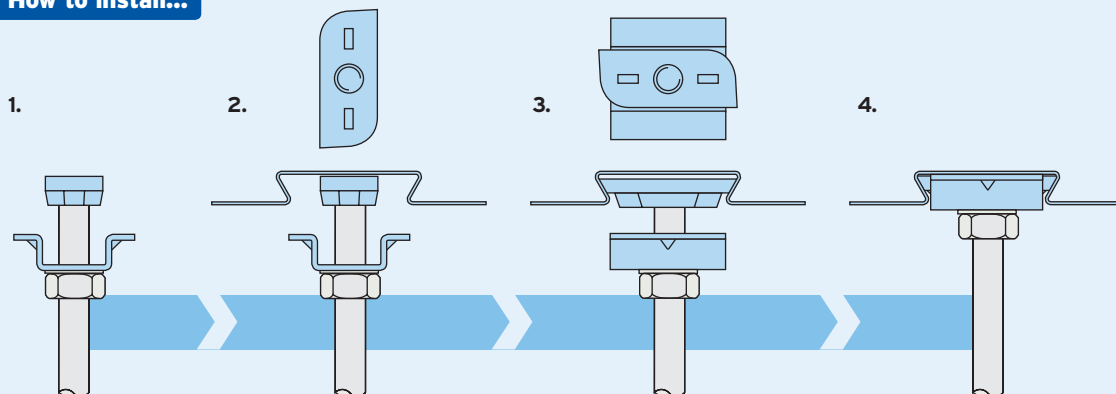
Designed for Ribdeck® E60 profiles manufactured by Hare Decking (formerly Richard Lees®).



Locking Plate: Pre-galvanised strip
Wedge: Malleable iron, zinc plated.

Product Code	Rod min 4.6	Safe Working Load (3:1 FOS)	
		Tensile / 1 Rod kN	Tightening Torque Nm
AW06	M6	1.0	10
AW08	M8	1.0	10
AW10	M10	1.0	10

How to install...

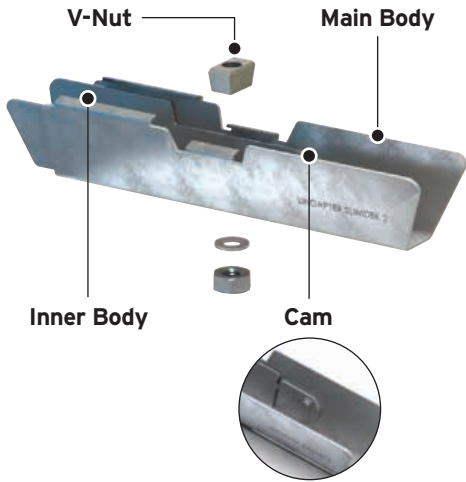


- 1) Pre-assemble the locking plate and wedge (flat surface up) onto the threaded rod.
- 2) Insert the wedge into the re-entrant channel of the decking and rotate 90°.
- 3) Slide the plate up the threaded rod, over the wedge, to lock it in position into the channel.
- 4) Tighten the locknut beneath the plate to hold the assembly in position.

- Install the decking fixings after the concrete has been poured and has reached full strength.
- If the decking profile is deformed or distorted, do not install the fixing. If in doubt, contact the Technical Support team for advice.

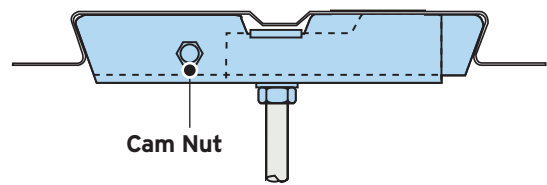
Type SD2 - Slimdek 2

Designed for the ComFlor® 225 profiles manufactured by Tata Steel® Europe, the Type SD2 offers a fully flexible suspension position.



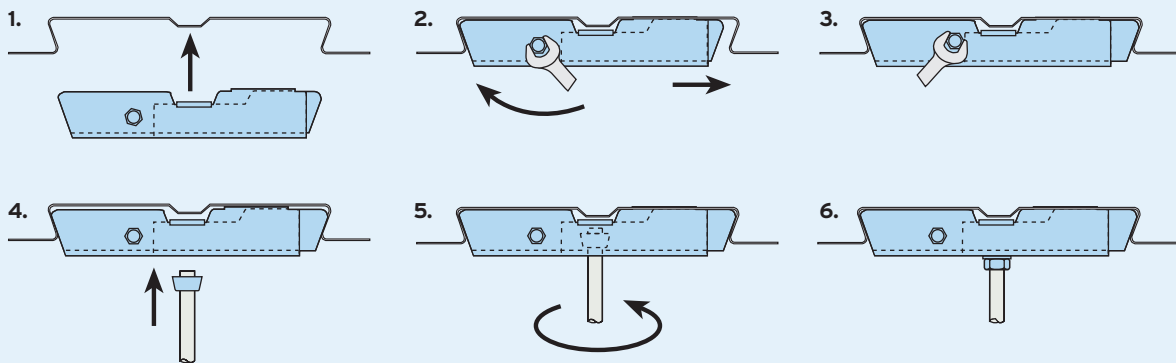
Material: Pre-galvanised strip.

Product Code	Rod min 4.6	Safe Working Load (3:1 FOS) Tensile / 1 Rod kN	Tightening Torque Nm
SD210	M10	1.0	12



How to install...

▶ Watch the installation video at www.Lindapter.com



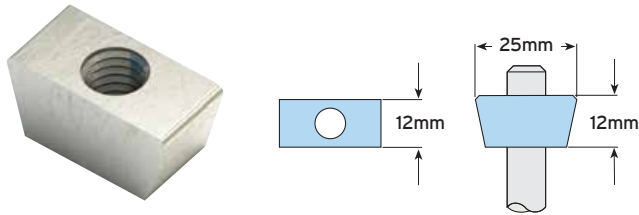
- 1) With Slimdek 2 (SD2) in its retracted position (as supplied) locate the fixing in the re-entrant channel.
- 2) Hold SD2 in position with one hand, then rotate the cam nut in the direction shown above with a spanner.
- 3) Tighten the cam nut until the inner body of the fixing locates against the re-entrant channel.
- 4) Offer the V-Nut on a threaded rod up to the main body.
- 5) Rotate the V-Nut through 90° to allow it to sit at the bottom of the SD2 body.
- 6) Secure the assembly with a nut.

- ▶ Install the decking fixings after the concrete has been poured and has reached full strength.
- ▶ If the decking profile is deformed or distorted, do not install the fixing. If in doubt, contact the Technical Support team for advice.

GIRDER CLAMPS
 RAIL FIXINGS
 LIFTING POINTS
 HOLLO-BOLT
 FLOOR FIXINGS
 SUPPORT FIXINGS
 DECKING FIXINGS

Type VN

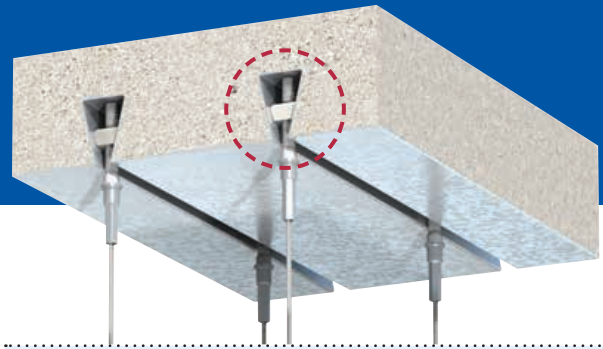
Fits inside the re-entrant channel of several composite floor decking profiles including R51, Comflor® 51, Holorib®, Superib®, Multideck® 50 and MetFloor® 55.



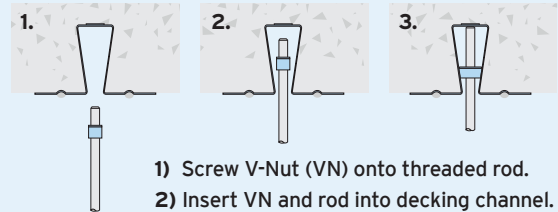
Material: Mild steel, zinc plated.

Product Code	Rod min 4.6	Safe Working Load (4:1 FOS) Tensile / 1 Rod kN	Tightening Torque Nm
VN10	M10	2.1	10

- Install the decking fixings after the concrete has been poured and has reached full strength.
- If the decking profile is deformed or distorted, do not install the fixing. If in doubt, contact Technical Support for advice.



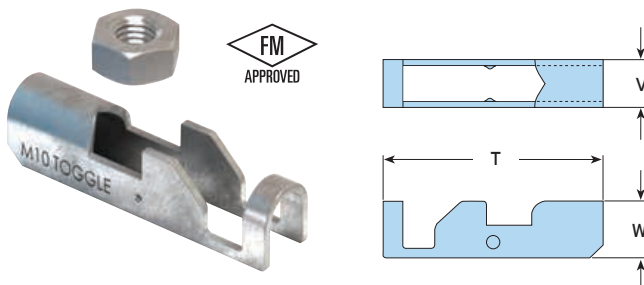
How to install...



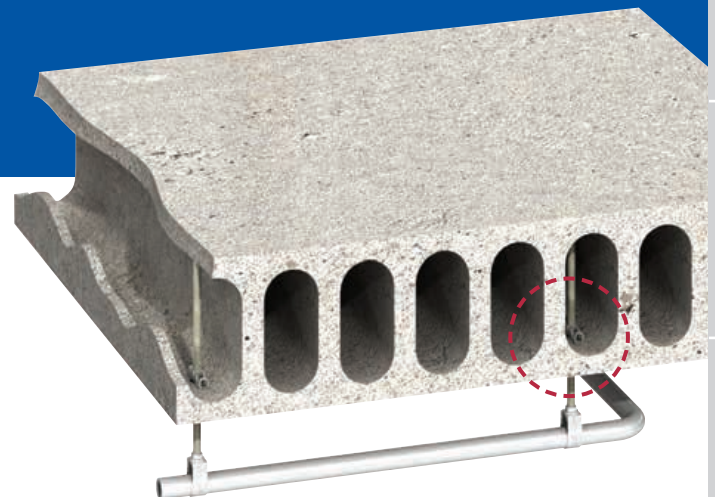
- 1) Screw V-Nut (VN) onto threaded rod.
- 2) Insert VN and rod into decking channel.
- 3) Rotate rod and VN through 90° so that the tapered edges engage the sides of the re-entrant channel.

Type TC - Toggle Clamp

Designed for service suspension from pre-cast hollow core slabs (minimum core depth 75mm) as well as SHS, steel sheeting or purlins.



Material: Steel strip, zinc plated.

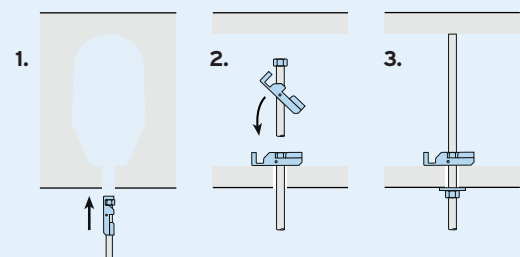


* Subject to the strength of the concrete section.

Product Code	Rod min 8.8	Hole Ø mm	Safe Working Load (4:1 FOS)* Tensile / 1 Rod kN	Tightening Torque Nm	Dimensions		
					T mm	W mm	Width V mm
TC08	M8	22	2.45	10	68	16.5	13
TC10	M10	25	2.45	10	68	17.5	15

How to install...

- 1) Pre-assemble the fixing on the rod and insert into the hole (ensure it is central to the hollow core).
- 2) Shake the rod to allow the toggle body to locate horizontally across the hole, then lower the rod so that the nut locates in the toggle body.
- 3) Wind up the rod to the top of the section so it is as high as possible. Secure the assembly with a nut and washer.



Proven connection solutions

Lindapter products are used in multiple industries around the world in an extensive range of applications. The case studies below highlight the wide use of Lindapter fixings. To view more project examples, please visit the website www.Lindapter.com

Tower Bridge, UK



Product: Type A

Application: Type A clamps were used to attach the supporting steel frame of the new glass walkway to the original steel lattice.

The new viewing platform spans 42m on the upper level of the bridge over the River Thames and features a glass floor to reveal the bridge deck and water below. The floor consists of six 80mm thick glass panels, each weighing 530kg and supported by a 1000kg carbon steel framework.

Lindapter's simple connection solution allowed the frame to be safely secured to the original steel lattice structure without on-site drilling or welding, ensuring that there was no damage to the bridge. The contractors completed the renovation inside six weeks without closing the site.



➔ See page 8 for Type A.

Birmingham New Street, UK



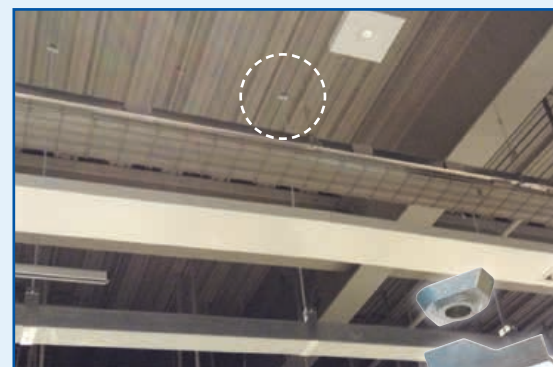
Product: Type TR60

Application: Suspending building services in the concourse and John Lewis store.

The £750 million redevelopment of Birmingham New Street and Grand Central building required a method for suspending building services in the John Lewis store and the railway station concourse.

Lindapter TR60's quickly slotted into the dovetail shaped re-entrant channel of the metal decking, allowing a quick and easy installation of mechanical and fire protection systems without the need for on-site drilling or welding.

Installation only required the use of simple hand tools, saving time and labour costs as well as ensuring there was no damage to the decking.



➔ See page 64 for Type TR60.

History Museum, Dresden, Germany



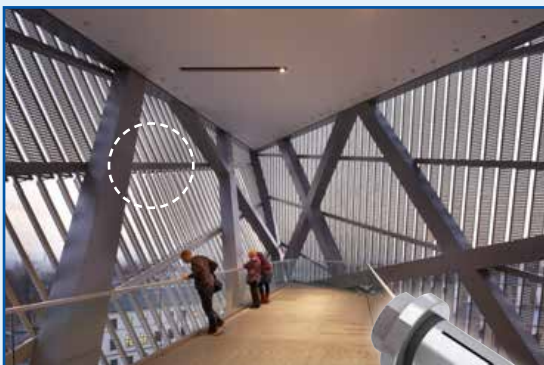
© Hulton & Crow

Product: Type HB Stainless Steel
Application: Securing steel façade panels to the structural steel hollow section.

The Lindapter Hollo-Bolt secured steel cladding panels to the structural steel hollow section in Daniel Libeskind's impressive five storey façade, allowing the arrow shaped extension, made from glass, concrete and steel, to intersect the original neo-classical arsenal building.

Contractors used over 2,000 M8 stainless steel Hollo-Bolts to quickly install the panels from just one side, avoiding on-site drilling or welding.

The discreet Hollo-Bolts were manufactured from grade 316 stainless steel for enhanced corrosion resistance.



© Hulton & Crow

➤ See pages 38-47 for Hollo-Bolt.

Hitachi Ashford Depot, UK



Image provided by Hitachi under the Creative Commons Attribution 3.0 licence by www.hitachi.com

Product: Type HD
Application: Securing low speed rails to way beams in a train maintenance depot.

Lindapter's M20 Type HD rail clips were used to connect low speed lines at Hitachi's Ashford Train Maintenance Centre.

The product allowed contractors to safely secure FB rails along lengths of UKC way beam, in turn supported by reinforced concrete plinths. These low speed rails were installed in pairs down the entire length of the new depot building to give access for maintenance and repair work on the trains.

Type HD facilitated the precise rail alignment by allowing a high degree of lateral adjustability.



➤ See pages 32-33 for Type HD.

Proven connection solutions

Lindapter products are used in multiple industries around the world in an extensive range of applications. The case studies below highlight the wide use of Lindapter fixings. To view more project examples, please visit the website www.Lindapter.com

Splott Warehouse, Cardiff, UK



Product: Type ALP

Application: Rigging lighting equipment to the overhead structural beams at the 'Color Festival'.

Securing equipment weighing 6.3kN (642kg) from sloped beams at the Splott Warehouse required a safe rigging unit that would provide resistance to both tensile and frictional loading.

The Type ALP was chosen because it has a safe working load of 3 tonnes at an angle +/- 18° and adjusts to various beam sizes, meaning one type of rigging unit could be used throughout.

After the dance festival finished, the contractors simply reversed the installation procedure, which allowed them to quickly unclamp the lifting system without damaging the steel beams.



➤ See page 36 for Type ALP.

St Pancras Station, London, UK



Product: Type AF

Application: Connecting the steel framework of a new roof to the station's existing structure.

The Type AF allowed a new steel framed roof to be secured to the existing structure of the Grade I listed shed designed by William Henry Barlow at St Pancras Station.

The product accommodated variations in height due to sagging in some areas of the original riveted beam structure, ensuring a secure load at varying angles.

Lindapter's high slip resistance clamp assembly avoided drilling or welding, thereby removing the risk of damaging the historic Victorian arches and the protective coatings.



➤ See page 14 for Type AF.

Manhattan Bridge, New York, USA



Product: Type F3

Application: Securing 450m pipework carrying an internet cable along the bridge.

Lindapter Support Fixings are often specified for securing pipework due to the ease of installation and high adjustability. In this case, the Type F3 was used to connect a 100mm pipe, carrying fibre optic cable for high-speed internet across this iconic structure.

Using simple hand tools avoided on-site drilling and welding meaning that there was no need for hot work permits or a site closure.

This simplified the installation across the span of the iconic bridge and allowed the contractors to finish on time and on budget.



➤ See page 56 for Type F3.



Arnside Viaduct, UK



Product: Type FF - FloorFast

Application: Securing the maintenance walkway alongside the replacement viaduct deck.

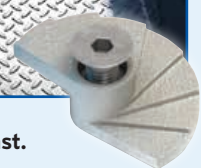
An upgrade of the 150 year old viaduct required the replacement of the entire deck.

Chequer plate flooring was quickly secured to supporting box girder sections along the entire length of the new deck using 8,000 of Lindapter's easy to install FloorFast fixings.

FloorFast allows installation to be easily carried out from above, without the need for drilling, welding or scaffolding. This meant the flooring could be fitted on the viaduct as the deck units were removed, helping the major renovation to be completed on schedule.



➤ See page 49 for Type FF - FloorFast.



Passionate about safety

For over 80 years, Lindapter has manufactured to the highest standards, earning a multitude of independent approvals and a reputation synonymous with safety and reliability. Current accreditations are detailed below.

Independent Product Approvals

These approvals reinforce Lindapter's extensive in-house testing procedures. Products are tested so that Engineers and Contractors can be confident Lindapter products will perform as detailed in this catalogue.



CE Mark

For Lindapter products in compliance with provisions of the EC Construction Product Regulation 305/2011/EU, please refer to www.Lindapter.com/About/CE



Lloyd's Register Type Approval

Lloyd's Register Type Approved products have been subjected to tensile, frictional, vibration and shock tests, witnessed and verified by Lloyd's Register.



Deutsches Institut für Bautechnik

DIBt approves construction products for use in structural and civil engineering industries in Germany.



Verband der Schadenversicherer

VdS is a leading independent testing institution in Germany for products used in fire protection applications.



Factory Mutual

This American insurance organisation offers an approval that is recognised by the fire protection industry worldwide.



Loss Prevention Certification Board

The LPCB is a leading International Certification body in the field of security and fire protection.



TÜV Nord

TÜV is the certifying authority for safety, quality and environmental protection in Germany.



ICC-ES

Lindapter's Holo-Bolt has been approved for use in Seismic Design Categories (SDC) A through F by North America's leading evaluation service.

Quality and Environment

Accredited to **ISO 9001** since 1986, Lindapter strictly enforces a quality management system that includes vigorous product testing to ensure consistently high manufacturing standards.

The company also operates an **ISO 14001** certified environmental management system, constantly monitoring and improving aspects of the business that may impact on the environment, such as the use of natural resources as well as handling and treatment of waste and energy consumption.



Q 05143



EMS 546660

Associations

Lindapter is a member of the **British Constructional Steelwork Association (BCSA)**, **The Steel Construction Institute (SCI)**, **American Institute of Steel Construction (AISC)**, **Southern African Institute of Steel Construction (SAISC)** and the **Australian Steel Institute (ASI)**.



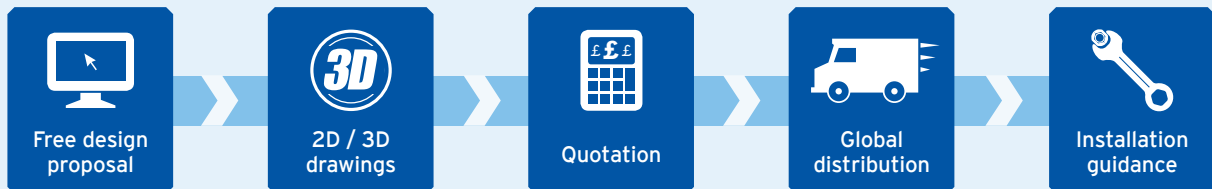
Factory Production Control and Traceability

The company operates a fully documented Factory Production Control system ensuring full compliance and traceability throughout the manufacturing process, in conjunction with the Construction Products Regulation.

Here to help you

Lindapter's team of experienced Engineers offer an unrivalled support service, including free connection design and bespoke product development. Lindapter's philosophy is to deliver the highest level of service from initial design through to installation guidance.

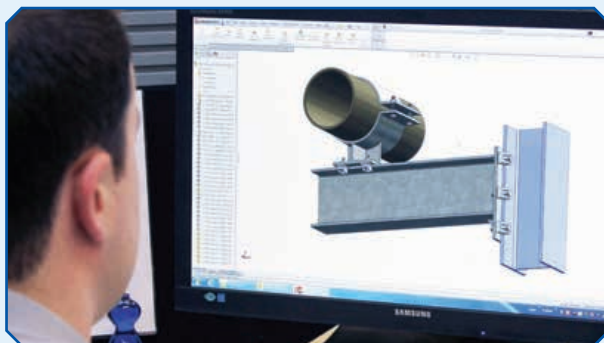
The Lindapter Service includes:



FREE CONNECTION DESIGN

Contact Lindapter's team of experienced Engineers and they will advise a suitable solution for you free of charge, providing drawings in 2D or interactive 3D formats as well as CAD files that can be imported into all major software applications. Provide the details below and Lindapter will do the rest!

- Steel sizes to be used or flange width / thickness
- Loads to be resisted (e.g. 10kN tension + 15kN slip)
- General arrangement sketch or verbal description
- Project Name / Title / Location (optional)



ENGINEERED SOLUTIONS

Lindapter's Research & Development facility and unique expertise facilitates a bespoke product development service, passionately referred to as 'Engineered Solutions'.

Supported by the latest technology including 3D modelling, rapid prototyping with the aid of two in-house 1,000kN hydraulic test machines and finite element analysis, Lindapter's Engineers can develop solutions that satisfy your connection demands.



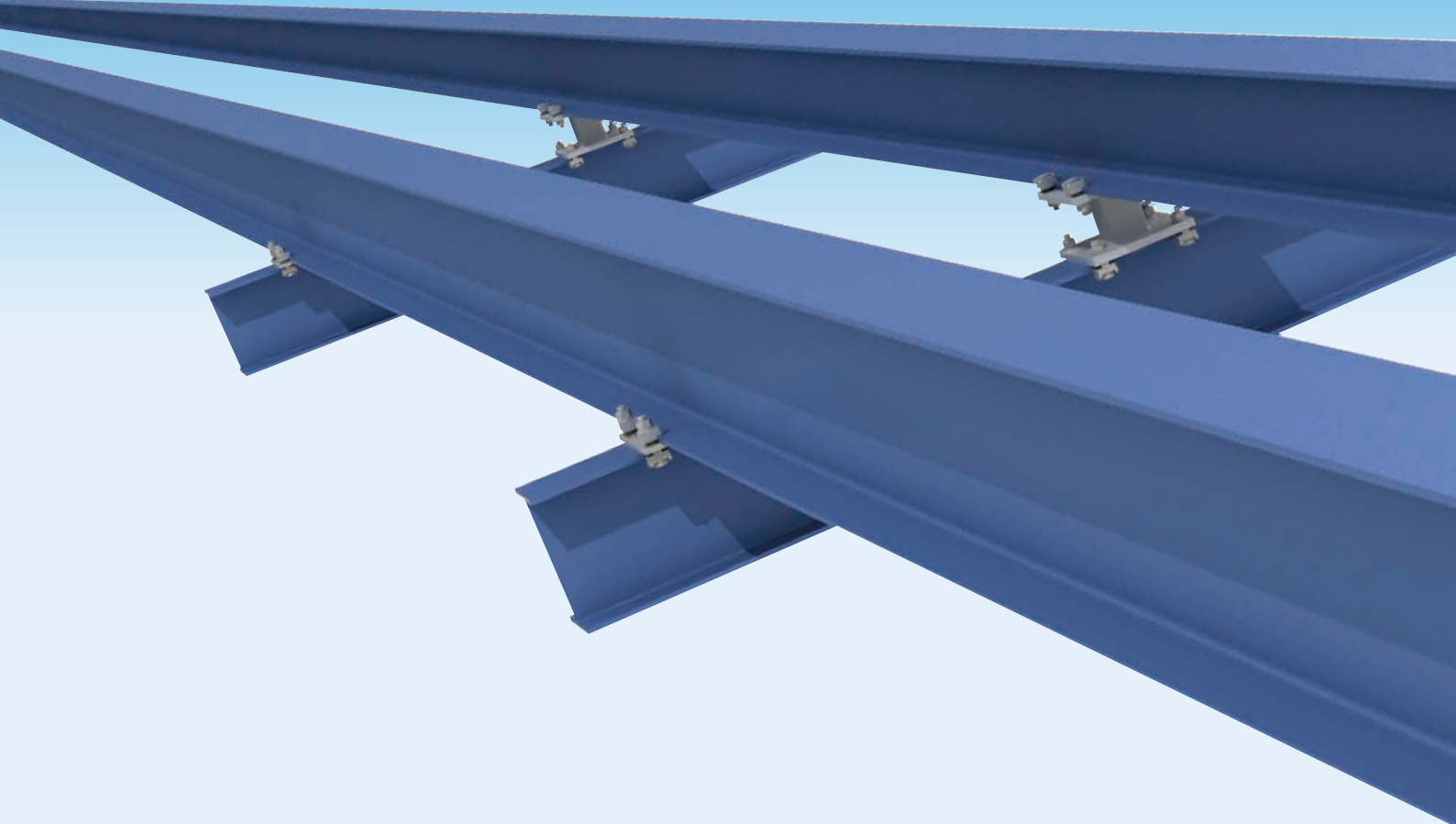
Contact Lindapter to design a solution to your connection requirements.
Email support@Lindapter.com or call +44 (0) 1274 521444 for more details.

Disclaimer

Lindapter International supplies components in good faith, on the assumption that customers fully understand the loadings, safety factors and physical parameters of the products involved. Customers or users who are unaware or unsure of any details should refer to Lindapter International before use. Responsibility for loss, damage, or other consequences of misuse cannot be accepted. Lindapter makes every effort to ensure that technical specifications and other product descriptions are correct. 'Specification' shall mean the specification (relating to the use of the materials) set out in the quotation given by the Seller to the Buyer. Responsibility for errors or omissions cannot be accepted. All dimensions stated are subject to production tolerances - if in doubt please check with Lindapter. In the interests of improving the quality and performance of Lindapter products, we reserve the right to make specification changes without prior notice.

© Lindapter International 2016

LINDAPTER, HOLLO-BOLT, LINDIBOLT, LINDICLIP, FLOORFAST, GRATE-FAST etc., are all registered trademarks. Lindapter may also have trademark rights in other terms used herein.



lindapter[®]

Lindsay House
Brackenbeck Road
Bradford
West Yorkshire
BD7 2NF
United Kingdom

T: +44 (0) 1274 521444

F: +44 (0) 1274 521130

E: enquiries@Lindapter.com
support@Lindapter.com

www.Lindapter.com