



# HIGH TORQUE

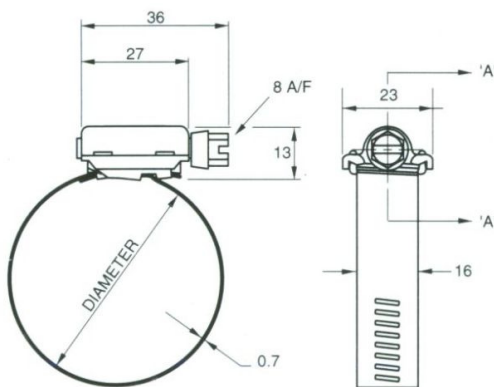
Jubilee High Torque Clips are suitable for heavy duty applications with plastic or reinforced hoses. The high clamping forces make this clip suitable for heavy duty applications where stubborn leakage or vibration issues make lesser clips and clamps unsuitable.



Jubilee High Torque clips are made of all stainless steel, with a two part housing and cut through band, keeping the band straight at the point of engagement and fully engaging all of the screw thread; giving a superior tightening torque. Although not suitable for use on soft hoses, where the high forces and perforated band may cut into the hose, they are ideal where a high clamping force is required and with a flexible band material they can achieve a high level of friction even against a smooth surface such as a metal pole.

With a wide clamping range compared to alternative heavy duty clamps, stock requirements are reduced. The flexible band also offers better sealing at lower torques than nut and bolt style heavy duty clamps, which, combined with weight saving benefits, make Jubilee High Torque Clips a versatile and superior heavy duty clamp.

- Conform to SAE J1508 type HD
- 8mm A/F slotted screw
- All stainless steel
- Twice the tightening torque of standard worm drive hose clips which creates more than twice the band tension for stubborn leakage and high vibration applications.
- Breaking torque is 17 Nm comparable to conventional 'T' bolt clips of equal size.
- Recommended tightening torque 11.9 Nm (106 lbs in).
- Appropriate in those heavy duty situations where the general British Standard product is not suitable.



All dimensions in mm

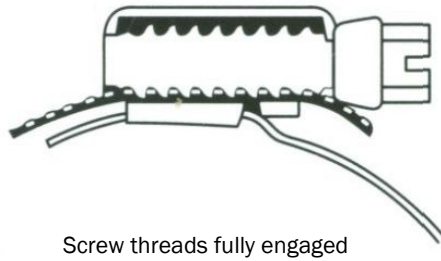
**Stainless Steel**



# HIGH TORQUE Stainless Steel:-



SECTION 'A'- 'A'



Screw threads fully engaged



Part No.	Adjustment		Band Width mm	Band Thickness mm	Recommended Torque Nm	Maximum Torque Nm	Maximum Pressure Psi	Part No.
	mm	Inches						
HT035	20- 35	3/4-1 <sup>3</sup> / <sub>8</sub>	16.0	0.7	11.9	17.0	304.5	HT035
HT040	25- 40	1-1 <sup>5</sup> / <sub>8</sub>	16.0	0.7	11.9	17.0	304.5	HT040
HT045	25- 45	1-1 <sup>3</sup> / <sub>4</sub>	16.0	0.7	11.9	17.0	304.5	HT045
HT050	30- 50	1 <sup>1</sup> / <sub>4</sub> -2	16.0	0.7	11.9	17.0	304.5	HT050
HT070	40- 70	1 <sup>5</sup> / <sub>8</sub> -2 <sup>3</sup> / <sub>4</sub>	16.0	0.7	11.9	17.0	153.0	HT070
HT080	60- 80	2 <sup>3</sup> / <sub>8</sub> -3 <sup>1</sup> / <sub>8</sub>	16.0	0.7	11.9	17.0	153.0	HT080
HT095	70- 95	2 <sup>3</sup> / <sub>4</sub> -3 <sup>3</sup> / <sub>4</sub>	16.0	0.7	11.9	17.0	153.0	HT095
HT100	80-100	3 <sup>1</sup> / <sub>8</sub> -4	16.0	0.7	11.9	17.0	66.0	HT100
HT120	90-120	3 <sup>1</sup> / <sub>2</sub> -4 <sup>3</sup> / <sub>4</sub>	16.0	0.7	11.9	17.0	66.0	HT120
HT140	110-140	4 <sup>3</sup> / <sub>8</sub> -5 <sup>1</sup> / <sub>2</sub>	16.0	0.7	11.9	17.0	66.0	HT140
HT160	130-160	5 <sup>1</sup> / <sub>8</sub> -6 <sup>1</sup> / <sub>4</sub>	16.0	0.7	11.9	17.0	66.0	HT160
HT180	150-180	5 <sup>7</sup> / <sub>8</sub> -7	16.0	0.7	11.9	17.0	30.0	HT180
HT200	170-200	6 <sup>3</sup> / <sub>4</sub> -7 <sup>7</sup> / <sub>8</sub>	16.0	0.7	11.9	17.0	30.0	HT200
HT220	190-220	7 <sup>1</sup> / <sub>2</sub> -8 <sup>5</sup> / <sub>8</sub>	16.0	0.7	11.9	17.0	30.0	HT220
HT240	210-240	8 <sup>1</sup> / <sub>4</sub> -9 <sup>1</sup> / <sub>2</sub>	16.0	0.7	11.9	17.0	30.0	HT240
HT260	230-260	9-10 <sup>1</sup> / <sub>4</sub>	16.0	0.7	11.9	17.0	30.0	HT260
HT280	250-280	9 <sup>7</sup> / <sub>8</sub> -11	16.0	0.7	11.9	17.0	30.0	HT280
HT300	270-300	10 <sup>5</sup> / <sub>8</sub> -11 <sup>3</sup> / <sub>4</sub>	16.0	0.7	11.9	17.0	30.0	HT300
HT320	290-320	11 <sup>3</sup> / <sub>8</sub> -12 <sup>1</sup> / <sub>2</sub>	16.0	0.7	11.9	17.0	30.0	HT320
HT340	310-340	12 <sup>1</sup> / <sub>4</sub> -13 <sup>3</sup> / <sub>8</sub>	16.0	0.7	11.9	17.0	n/a	HT340
HT360	330-360	13-14 <sup>1</sup> / <sub>8</sub>	16.0	0.7	11.9	17.0	n/a	HT360
HT380	350-380	13 <sup>3</sup> / <sub>4</sub> -15	16.0	0.7	11.9	17.0	n/a	HT380
HT400	370-400	14 <sup>1</sup> / <sub>2</sub> -15 <sup>3</sup> / <sub>4</sub>	16.0	0.7	11.9	17.0	n/a	HT400
HT420	390-420	15 <sup>3</sup> / <sub>8</sub> -16 <sup>1</sup> / <sub>2</sub>	16.0	0.7	11.9	17.0	n/a	HT420
HT440	410-440	16 <sup>1</sup> / <sub>8</sub> -17 <sup>1</sup> / <sub>4</sub>	16.0	0.7	11.9	17.0	n/a	HT440
HT460	430-460	17-18 <sup>1</sup> / <sub>8</sub>	16.0	0.7	11.9	17.0	n/a	HT460
HT480	450-480	17 <sup>3</sup> / <sub>4</sub> -18 <sup>7</sup> / <sub>8</sub>	16.0	0.7	11.9	17.0	n/a	HT480
HT500	470-500	18 <sup>1</sup> / <sub>2</sub> -19 <sup>5</sup> / <sub>8</sub>	16.0	0.7	11.9	17.0	n/a	HT500
HT520	490-520	19 <sup>5</sup> / <sub>16</sub> -20 <sup>1</sup> / <sub>2</sub>	16.0	0.7	11.9	17.0	n/a	HT520

**Corrosion Resistance:** 400 hours NSS Test

**Fastening:** 8mm A/F screw

**Industry Recommendations:-**



**Quality Assurance:-**



Stainless Steel

The finest hose clip  
in the world